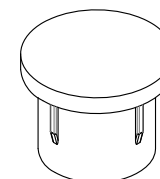
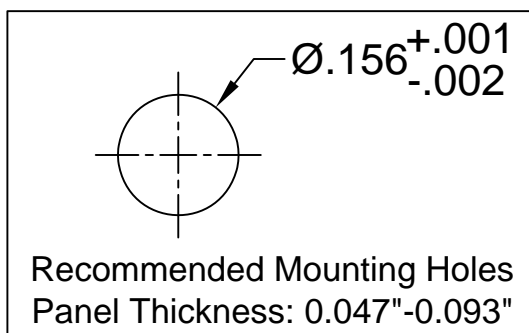
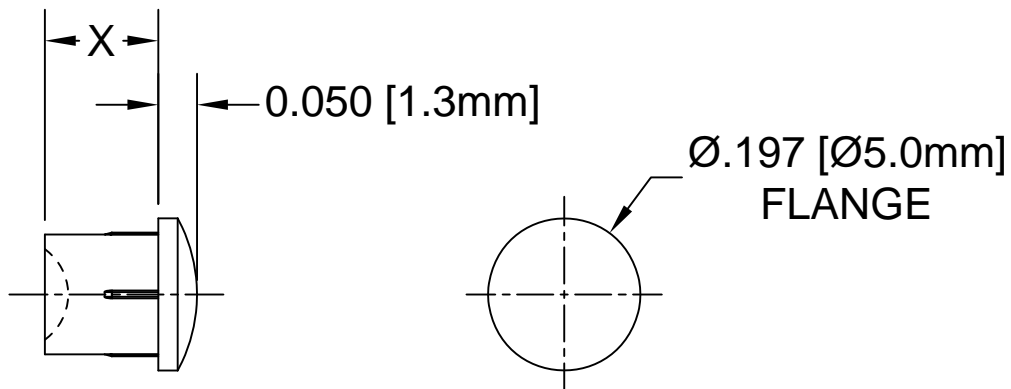
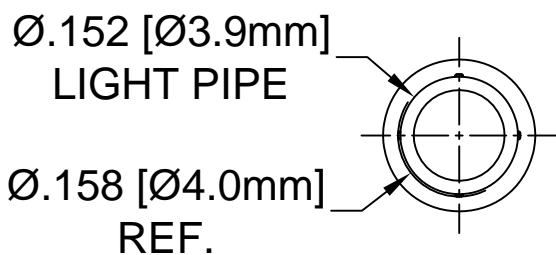
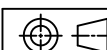
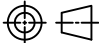


Part No.	X = Body Length
PLP5-2-100-S	0.100 (2.5mm)
PLP5-2-125-S	0.125 (3.2mm)
PLP5-2-2.5MM-S	2.5mm (0.100")
PLP5-2-3MM-S	3mm (0.118")

REV.	DESCRIPTION	DATE	APPROVED
A	Engineering Release	07/15/15	J. C.



2. MATERIAL: POLYCARBONATE, 94V-0, BLACK DIFFUSED.
1. GENERAL SPECIFICATIONS: BIVAR MOLDED COMPONENT SPECIFICATION BV00-E101 and BSMC-1001.

STANDARD TOLERANCE (UNLESS OTHERWISE SPECIFIED)		 4 THOMAS, IRVINE, CA. 92618 TEL: (949) 951-8808 FAX: (949) 951-3974		
DECIMALS	ANGULAR			
.X ± .1	X° ± 1°		TITLE: PRESS-FIT PANEL MOUNT, 5mm LIGHT PIPE, FRONT MOUNT, SMOKED	
.XX ± .01			PART NO: PLP5-2-XXX-S	REVISION: A
.XXX ± .005			CAGE CODE : 32559	SHEET # 1 OF 1
DESIGNED: Brian Oliver	DATE: 04/02/15	CAD GENERATED DOCUMENT. DO NOT MEASURE DRAWING.		
CHECKED: A. Wright	DATE: 04/02/15			