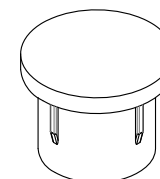
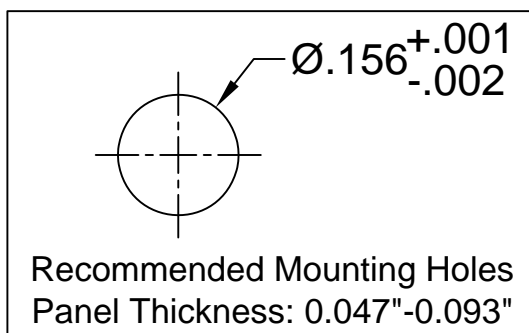
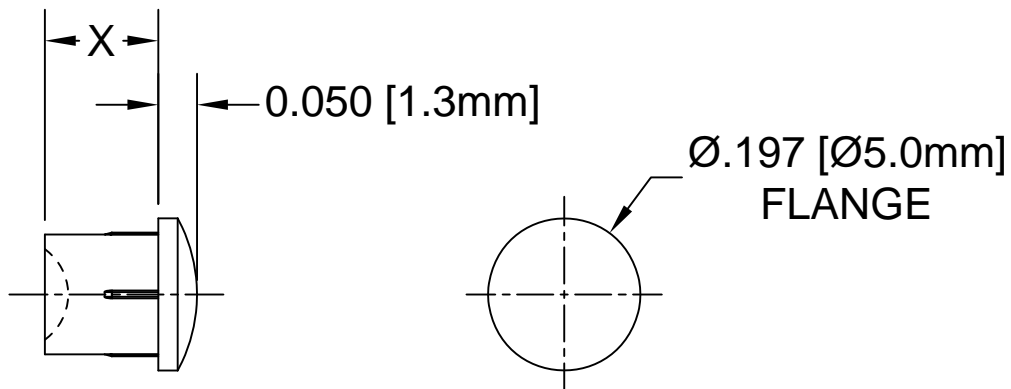
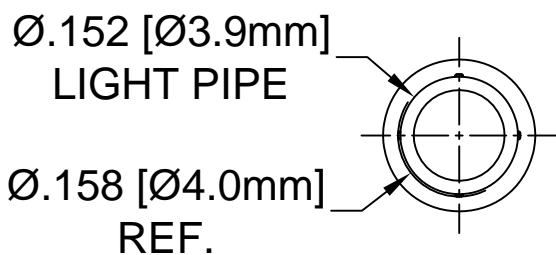


Part No.	X = Body Length
PLP5-2-100-S	0.100 (2.5mm)
PLP5-2-125-S	0.125 (3.2mm)
PLP5-2-2.5MM-S	2.5mm (0.100")
PLP5-2-3MM-S	3mm (0.118")

REV.	DESCRIPTION	DATE	APPROVED
A	Engineering Release	07/15/15	J. C.



2. MATERIAL: POLYCARBONATE, 94V-0, BLACK DIFFUSED.
1. GENERAL SPECIFICATIONS: BIVAR MOLDED COMPONENT SPECIFICATION BV00-E101 and BSMC-1001.

STANDARD TOLERANCE (UNLESS OTHERWISE SPECIFIED)		BIVAR [®]	
DECIMALS	ANGULAR	4 THOMAS, IRVINE, CA. 92618 TEL: (949) 951-8808 FAX: (949) 951-3974	
.X ± .1	X° ± 1°	TITLE: PRESS-FIT PANEL MOUNT, 5mm LIGHT PIPE, FRONT MOUNT, SMOKED PART NO: PLP5-2-XXX-S REVISION: A	
.XX ± .01			
.XXX ± .005			
DESIGNED: Brian Oliver	DATE: 04/02/15	CAGE CODE : 32559 SHEET # 1 OF 1	
CHECKED: A. Wright	DATE: 04/02/15	CAD GENERATED DOCUMENT. DO NOT MEASURE DRAWING.	