

PART NAME: KNOB

SCALE: 1:1

DATE: 11/5/92

DR. BY HD

DAVIES MOLDING COMPANY

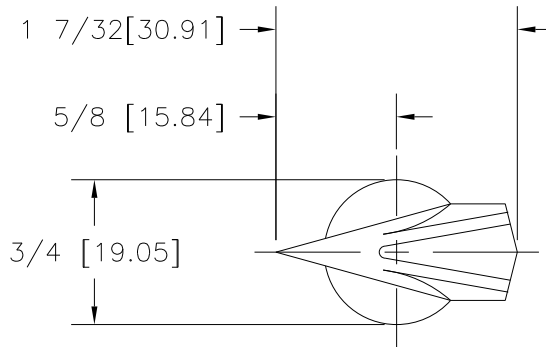
CAROL STREAM, ILLINOIS 60188

P/N 2300-BL

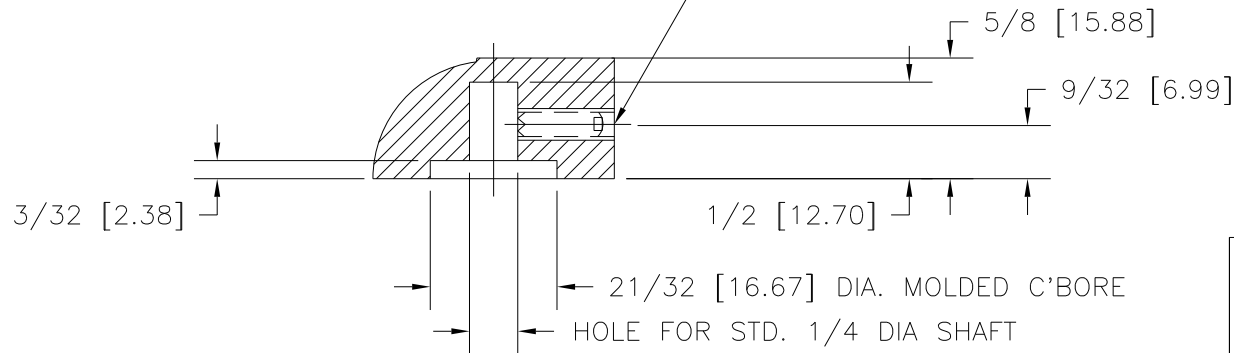
BASE PART 2300-03

SET SCREW I-22

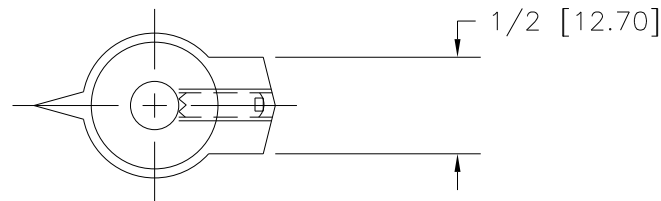
THIS DRAWING IS THE PROPERTY OF DAVIES MOLDING COMPANY, IS SUBMITTED SOLELY AS A DESIGN OR ENGINEERING PROJECT. WE ACCEPT NO RESPONSIBILITY WHATSOEVER FOR THE PRACTICAL APPLICATION OF THE PIECES MADE TO THIS DESIGN.



USE # 28 DR. (.140 DIA.); # 8-32 TAP.
8-32 THD. X 7/16 LG. CUP POINTED,
SLOTTED TYPE, HEADLESS, I-22; ONE REQ'D.



PIN(S) #	USING MOLD
# 2300	M-2300-1 (AUTO) (20 CAVITY'S RUN)
# 2300-1	M-2300-3 (SAC) (36 CAVITY'S RUN)



MATERIAL : PHENOLIC
COLOR : MUP-01-WHITE

TOLERANCES: UNLESS OTHERWISE SPECIFIED	DO NOT SCALE DRAWING			
DECIMALS: X.XXX ± .005 X.XX ± .015	MM: X.XX ± 0.15MM X.X ± 0.4MM	-	UPDATED TOOLBOX	JAM 10/18/02
FRACTIONS ± 1/64	ANG. ± 1°	CHANGES		