

## 3-PHASE DC BRUSHLESS MOTOR CONTROL IC

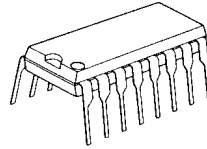
### ■ GENERAL DESCRIPTION

The NJM2627 is a 3-phase DC brush less motor control pre-driver IC.

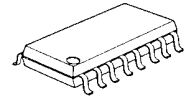
Output pre-driver is optimized to work with external power MOS FET for better power handling.

The NJM2627 can easily implement speed control by input of PWM signal to ON/ OFF terminal.

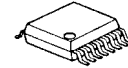
### ■ PACKAGE OUTLINE



NJM2627D



NJM2627M

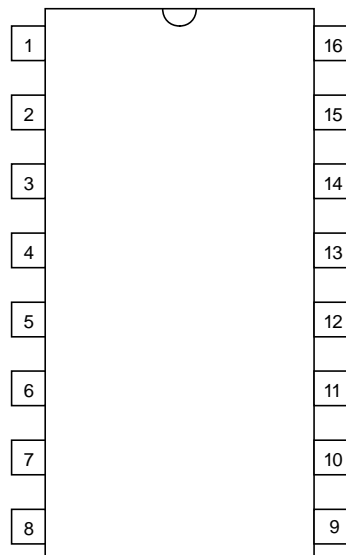


NJM2627V

### ■ FEATURES

- Operating Voltage                    4.5 to 14V
- Pre-driver circuit
  - Lower arm : Totem-pole
  - Upper arm : Open-collector
- Forward or Reverse direction
- Internal ON/OFF Circuit (No-output is Verr pin to GND)
- Bipolar Technology
- Package Outline                      DIP16,DMP16,SSOP16

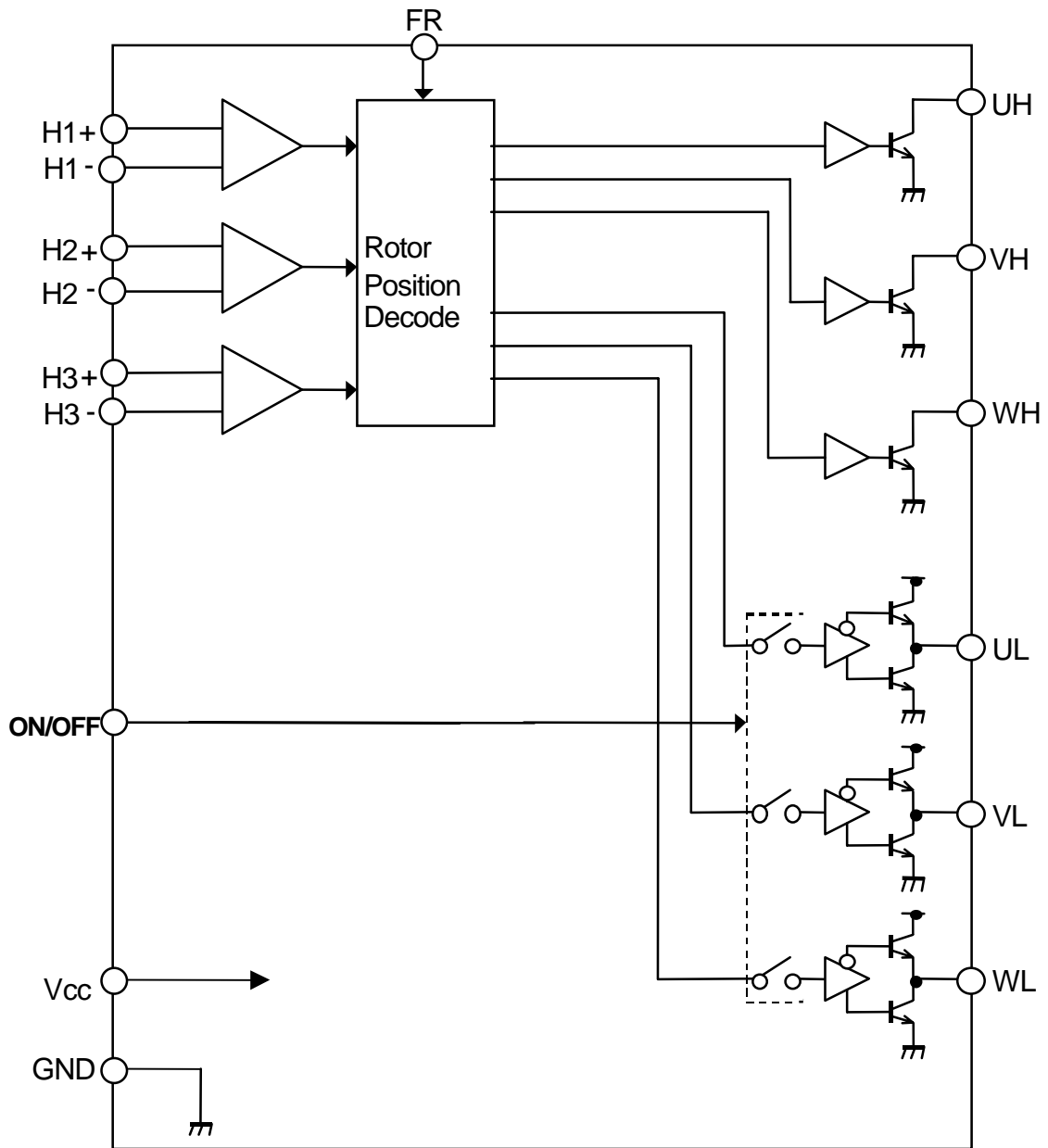
### ■ PIN CONNECTION



NJM2627V

- |       |           |
|-------|-----------|
| 1.H1- | 9.GND     |
| 2.H1+ | 10.ON/OFF |
| 3.H2+ | 11.WL     |
| 4.H2- | 12.VL     |
| 5.H3- | 13.UL     |
| 6.H3+ | 14.WH     |
| 7.FR  | 15.VH     |
| 8.VCC | 16.UH     |

■ BLOCK DIAGRAM



## ■ ABSOLUTE MAXIMUM RATINGS

(Ta=25°C)

PARAMETER	SYMBOL	RATINGS	UNIT	REMARKS
Maximum Supply Voltage	V <sub>CC</sub>	15	V	
Hall Input Differential Voltage	V <sub>IHD</sub>	2	V	
Hall Input Voltage	V <sub>IH</sub>	-0.3~V <sub>DD</sub>	V	
ON/OFF Terminal Input Voltage	V <sub>ON/OFF</sub>	-0.3~V <sub>DD</sub>	V	
F/R Terminal Input Voltage	V <sub>FR</sub>	-0.3~V <sub>DD</sub>	V	
Maximum Output Current	I <sub>out</sub>	30	mA	Under Arm Source Current
		50		Upper Arm Sink Current Under Arm Sink Current
Power Dissipation	P <sub>D</sub>	700 (DIP device itself)	mW	
		350 (DMP device itself)		
		300 (SSOP16 device itself)		
Operating Temperature Range	T <sub>opr</sub>	-40 ~ +85	°C	
Storage Temperature range	T <sub>stg</sub>	-50 ~ +150	°C	

## ■ ELECTRICAL CHARACTERISTICS

(V<sub>CC</sub>=12V, Ta=25°C)

### Total Device

PARAMETER	SYMBOL	TEST CONDITION	MIN.	TYP.	MAX.	UNIT
Operation Supply Voltage	V <sub>CC</sub>	-	4.5	-	14.0	V
Supply Current	I <sub>CC</sub>	RL=∞	-	8.0	10.0	mA

### Hall Amplifier Section

PARAMETER	SYMBOL	TEST CONDITION	MIN.	TYP.	MAX.	UNIT
Input Offset Voltage	V <sub>ID</sub>	-	-5	-	5	mV
Input Common Mode Voltage Range	V <sub>ICM</sub>	-	1.5	-	10.5	V
Input Bias Voltage	I <sub>B</sub>	-	-	-	600	nA

### Output Section

PARAMETER	SYMBOL	TEST CONDITION	MIN.	TYP.	MAX.	UNIT
Under Arm Output Voltage 1	V <sub>OH-D1</sub>	I <sub>source</sub> =20mA	10	10.3	-	V
Under Arm Output Voltage 2	V <sub>OL-D2</sub>	I <sub>sink</sub> =10mA	-	0.5	0.8	V
Under Arm Output Voltage 3	V <sub>OL-D3</sub>	I <sub>sink</sub> =50mA	-	1.6	2.0	V
Upper Arm Output Voltage	V <sub>OL-U</sub>	I <sub>sink</sub> =10mA	-	0.5	0.8	V
Output Leak Current	I <sub>O-LEAK</sub>		-	-	1.0	uA

### ON/OFF Section

PARAMETER	SYMBOL	TEST CONDITION	MIN.	TYP.	MAX.	UNIT
Output ON Voltage	V <sub>ON</sub>	-	1/2V <sub>CC</sub> +0.5	-	-	V
Output OFF Voltage	V <sub>OFF</sub>	-	-	-	1/2V <sub>CC</sub> -0.5	V
Output Voltage Undefined Area	V <sub>O-undef</sub>	-	1/2V <sub>CC</sub> -0.5	1/2V <sub>CC</sub>	1/2V <sub>CC</sub> +0.5	V
Source Current 1	I <sub>ON1</sub>	ON/OFF terminal=GND	-	250	400	μA
Pull-Up Resistance	R <sub>pu-of</sub>	-	-	50	-	kΩ

**Forward or Reverse Direction Section (FR input terminal)**

PARAMETER	SYMBOL	TEST CONDITION	MIN.	TYP.	MAX.	UNIT
Output Forward Direction	$V_F$	-	$1/2V_{CC}+0.5$	-	-	V
Output Reverse Direction	$V_R$	-	-	-	$1/2V_{CC}-0.5$	V
F/R Logic Undefined Area	$V_{SW-undef}$	-	$1/2V_{CC}-0.5$	$1/2V_{CC}$	$1/2V_{CC}+0.5$	V
Source Current 2	$I_{ON2}$	F/R terminal=GND	-	250	400	$\mu A$
Pull-Up Resistance	$R_{pu-FR}$	-	-	50	-	k $\Omega$

**■ HALL INPUT vs HALL OUTPUT TRUTH TABLE**

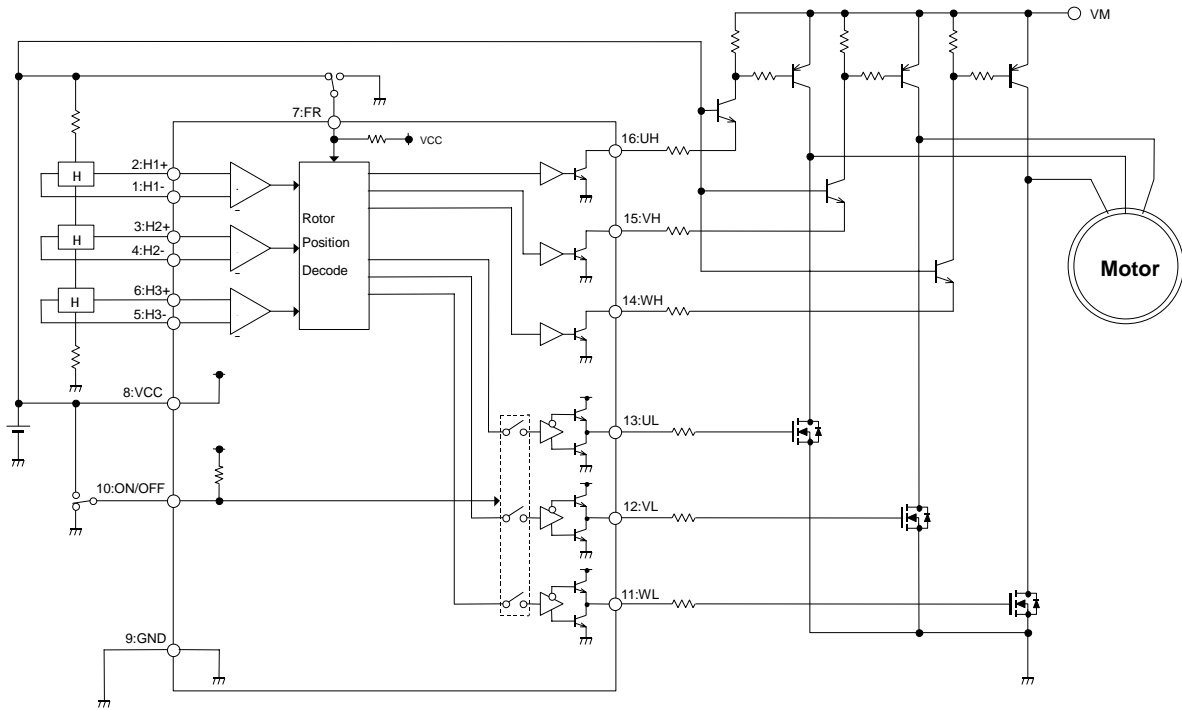
H1:"H"=H1+>H1-,"L"=H1+<H1- H2:"H"=H2+>H2-,"L"=H2+<H2- H3:"H"=H3+>H3-,"L"=H3+<H3-

FR=H			FR=L			ON/ OFF	H:Source,L:Sink,X:Hi-Z					
H1	H2	H3	H1	H2	H3		UH	VH	WH	UL	VL	WL
H	L	H	L	H	L	H	X	L	X	H	L	L
H	L	L	L	H	H	H	X	X	L	H	L	L
H	H	L	L	L	H	H	X	X	L	L	H	L
L	H	L	H	L	H	H	L	X	X	L	H	L
L	H	H	H	L	L	H	L	X	X	L	L	H
L	L	H	H	H	L	H	X	L	X	L	L	H
H	L	H	L	H	L	L	X	L	X	L	L	L
H	L	L	L	H	H	L	X	X	L	L	L	L
H	H	L	L	L	H	L	X	X	L	L	L	L
L	H	L	H	L	H	L	L	X	X	L	L	L
L	H	H	H	L	L	L	L	X	X	L	L	L
L	L	H	H	H	L	L	X	L	X	L	L	L

**■ FR INPUT TERMINAL**

Terminal Voltage	Direction
L input	F
H input	R

■ TYPICAL APPLICATION



[CAUTION]  
 The specifications on this databook are only given for information, without any guarantee as regards either mistakes or omissions. The application circuits in this databook are described only to show representative usages of the product and not intended for the guarantee or permission of any right including the industrial rights.

# Mouser Electronics

Authorized Distributor

Click to View Pricing, Inventory, Delivery & Lifecycle Information:

[NJR:](#)

[NJM2627V-TE1](#) [NJM2627M](#) [NJM2627D](#)