

THIS DRAWING IS UNPUBLISHED.

RELEASED FOR PUBLICATION

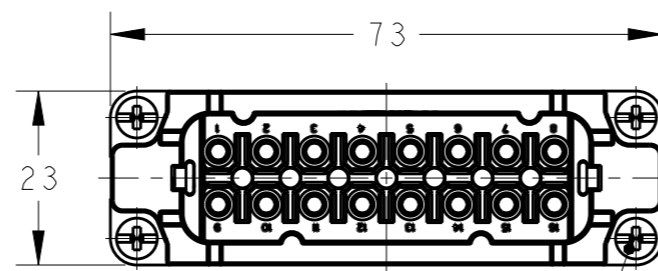
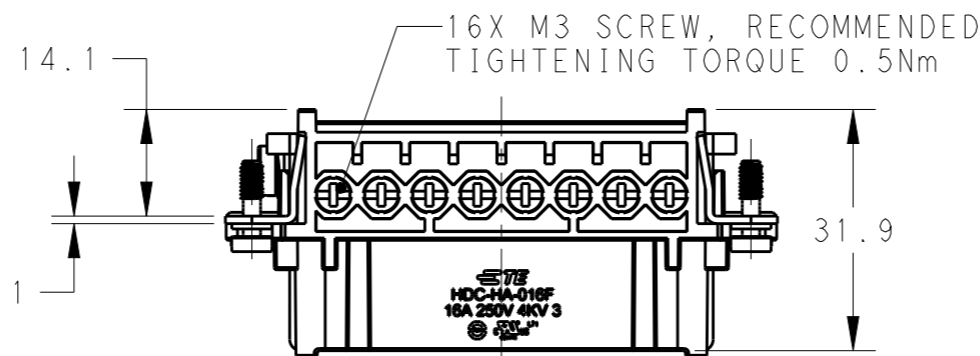
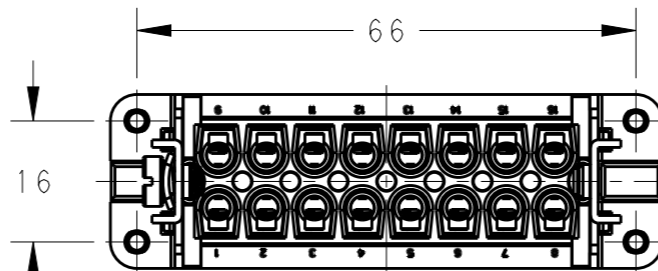
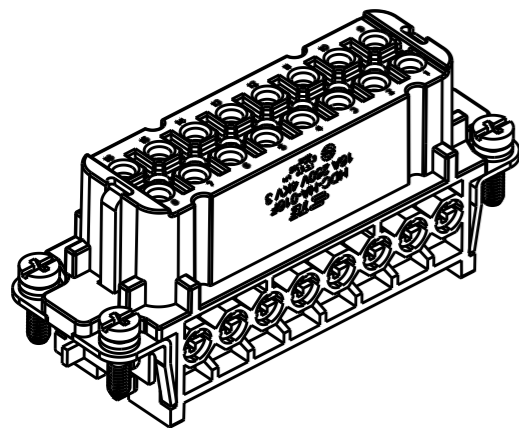
20

© COPYRIGHT 20 BY -

ALL RIGHTS RESERVED.

REVISIONS

P	LTR	DESCRIPTION	DATE	DWN	APVD
	A	INITIAL	10NOV2014	DW	CW
	A1	ECR-15-004309	19MAR2014	DW	CW
	B	ECR-15-013750	17SEP2015	DW	CW
	B1	ECR-15-016224	05NOV2015	DW	CW



M4 SCREW
RECOMMENDED
TIGHTENING TORQUE 1.2Nm

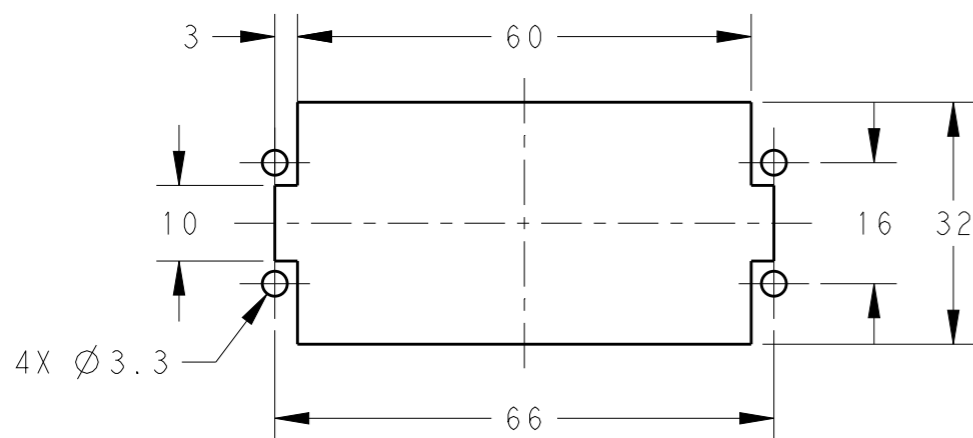
NOTES:

- TECHNICAL CHARACTERISTICS:
 INSULATION MATERIAL: PC
 RATED VOLTAGE: 250 V
 RATED CURRENT: 16 A
 INSULATION RESISTANCE: $\geq 400M\Omega$
 RATED IMPULSE VOLTAGE: 4 KV
 POLLUTION DEGREE: 3
 FLAMMABILITY: UL94V-0
 MATING CYCLES: 500 CYCLES
 OPERATION TEMPERATURE: $-40-+125^{\circ}C$
 WIRE RANGE: 0.5-2.5 mm² (20-14 AWG)
 CONTACT FINISH: SILVER PLATED
 CONTACT TYPE: SCREW CONTACT

注释:

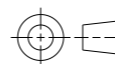
- 技术参数:
 绝缘材料: PC
 额定电压: 250V
 额定电流: 16A
 绝缘电阻: $\geq 400M\Omega$
 额定脉冲电压: 4 KV
 污染等级: 3
 阻燃等级: UL94V-0
 插拔次数: 500 次
 工作温度: $-40-+125^{\circ}C$
 接线范围: 0.5-2.5 mm² (18-14 AWG)
 端子表面处理: 镀银
 接线类型: 螺丝连接

PANEL CUT FOR INSERTS FOR USE
WITHOUT HOODS/ HOUSINGS



THIS DRAWING IS A CONTROLLED DOCUMENT.

DIMENSIONS:
mm



TOLERANCES UNLESS OTHERWISE SPECIFIED:
 0 PLC ±-
 1 PLC ±-
 2 PLC ±-
 3 PLC ±-
 4 PLC ±-
 ANGLES ±-

MATERIAL
-

FINISH
-

DWN	10NOV2014
CHK	David Wang
APVD	Chris Wang
PRODUCT SPEC	Xiang Xu
APPLICATION SPEC	108-137045
WEIGHT	114-137045
Customer Drawing	

HA-016-F		T2010162201-000	
DESCRIPTION		PART NUMBER	
STE TE Connectivity			
NAME HA-016-F			
SIZE	CAGE CODE	DRAWING NO	RESTRICTED TO
A3	00779	©-T2010162201000	-
SCALE		SHEET	REV
1:1		1 OF 1	B1