

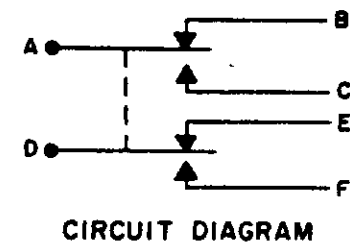
MICRO SWITCH

FREEPORT ILLINOIS U S A
A DIVISION OF HONEYWELL

FED MFG CODE 91929

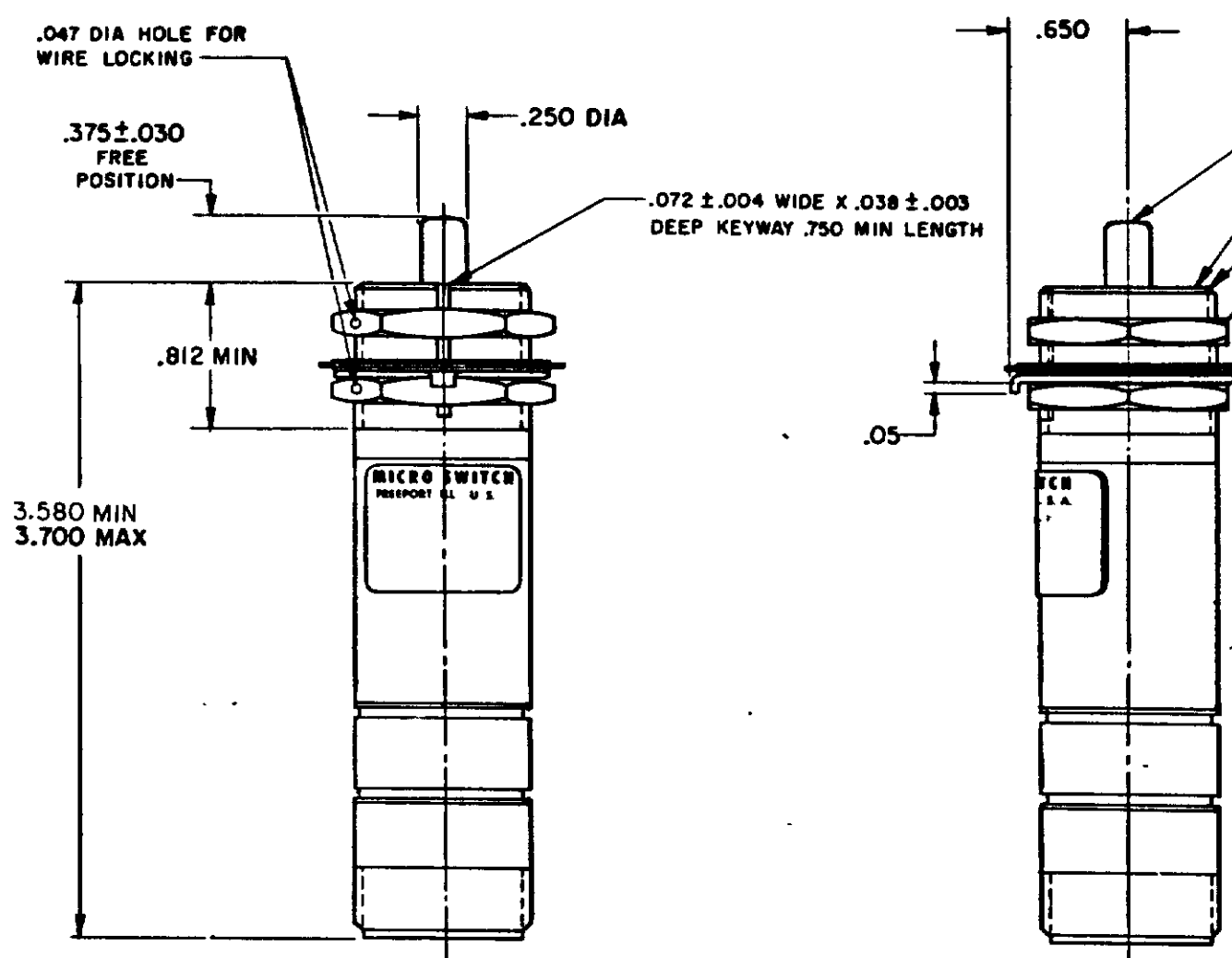
SWITCH-ENCLOSED

CATALOG LISTING
1EN75-R3
MILITARY STDS PART NO.
M8805/65-001

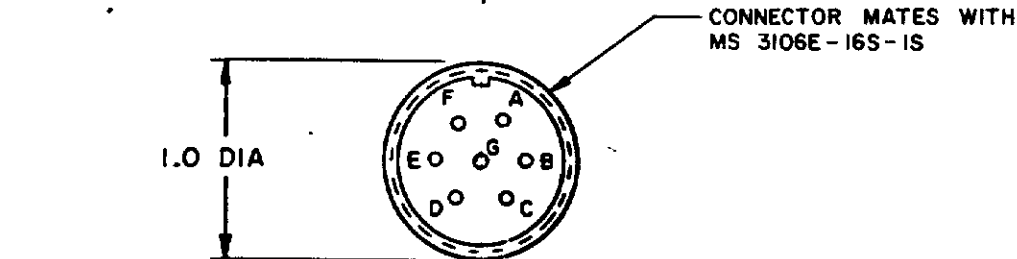


FURNISHED UNDER U.S. GOVERNMENT CONTRACT NO. _____
AND NO PORTION HEREOF SHALL BE RELEASED OUTSIDE THE GOVERNMENT (EXCEPT TO FOREIGN GOVERNMENTS SUBJECT TO THE SAME LIMITATIONS) NOR BE DISCLOSED, USED, OR DUPLICATED FOR PROCUREMENT OR MANUFACTURING PURPOSES EXCEPT AS OTHERWISE AUTHORIZED BY CONTRACT BETWEEN THE GOVERNMENT AND MICRO SWITCH, A DIVISION OF HONEYWELL INC WITHOUT THE PERMISSION OF THE LATTER THIS LEGEND SHALL BE MARKED ON ANY REPRODUCTION HEREOF IN WHOLE OR IN PART

M 1EN75-R3
 DRAWING NUMBER
 ISSUE
 REVISIONS
 A CO 44835
 T M M 30 MAR 78
 B CO47573
 J A P 5 AUG 80
 C CO54966
 KJS 1 MAY 84
 D CO-88547
 SAV 15 OCT 90
 E CO89161
 YSM 7 DEC 90
 F CO73874
 YSM 5 DEC 92
 FO-32881-A
 DRAWN
 T M M 30 OCT 78
 CHECK G L H 21 NOV 78



- CORROSION RESISTANT STEEL PLUNGER AND BUSHING
- 1-20 UNEF-2A THREAD
- HEX NUT 1.125 ACROSS FLATS x .15 THICK (2) $\triangle 6$
- INTERNAL TOOTH LOCKWASHER 1.38 DIA x .025 REF THICK $\triangle 6$
- CORROSION RESISTANT STEEL KEYING WASHER, 1.22 DIA x .031 THICK, TAB .110 WIDE $\triangle 6$



- NOTES**
- 1 - ENCLOSURE FINISHED WITH GREEN EPOXY BASED ENAMEL COLOR NO. 34151 PER FEDERAL STANDARD 595
 - 2 - SWITCH SEALED PER MIL-S-8805 SYMBOL 4
 - 3 - CIRCUIT DIAGRAM, CATALOG LISTING AND MILITARY STANDARD NO. (M8805/65-001) ARE SHOWN ON NAMEPLATE
 - 4 - SWITCH MEETS SHOCK LEVEL "H" PER MIL-S-8805/65
 - 5 - COINCIDENCE OF OPERATING AND RELEASING POINTS: .010 INCH OF PLUNGER TRAVEL
 - $\triangle 6$ - HARDWARE MAY BE PACKAGED UNASSEMBLED PER MIL-S-8805

THIS DRAWING COVERS A PROPRIETARY ITEM AND IS THE PROPERTY OF MICRO SWITCH, A DIVISION OF HONEYWELL. THIS DRAWING IS NOT TO BE COPIED OR USED WITHOUT THE APPROVAL OF MICRO SWITCH		THIRD ANGLE PROJECTION	SCALE FULL																																
DO NOT SCALE PRINT		TOLERANCES																																	
APPLY TO DESIGN UNITS CONVERSIONS ARE ONLY FOR REFERENCE UNLESS NOTED TOLERANCES ARE 2		<table border="1"> <tr> <td>NO PLACES</td> <td>DM</td> <td>TOL</td> <td>DM</td> <td>TOL</td> </tr> <tr> <td></td> <td>mm</td> <td>mm/in</td> <td>in</td> <td>mm/in</td> </tr> <tr> <td>ONE PLACE</td> <td>X</td> <td>1/100</td> <td>X</td> <td>0.01</td> </tr> <tr> <td>TWO PLACES</td> <td>X,X</td> <td>0.4/0.10</td> <td>X,X</td> <td>0.01/0.01</td> </tr> <tr> <td>THREE PLACES</td> <td>X,X,X</td> <td>0.15/0.008</td> <td>X,X,X</td> <td>0.005/0.0008</td> </tr> <tr> <td>ANGLES</td> <td></td> <td></td> <td></td> <td></td> </tr> </table>		NO PLACES	DM	TOL	DM	TOL		mm	mm/in	in	mm/in	ONE PLACE	X	1/100	X	0.01	TWO PLACES	X,X	0.4/0.10	X,X	0.01/0.01	THREE PLACES	X,X,X	0.15/0.008	X,X,X	0.005/0.0008	ANGLES						
NO PLACES	DM	TOL	DM	TOL																															
	mm	mm/in	in	mm/in																															
ONE PLACE	X	1/100	X	0.01																															
TWO PLACES	X,X	0.4/0.10	X,X	0.01/0.01																															
THREE PLACES	X,X,X	0.15/0.008	X,X,X	0.005/0.0008																															
ANGLES																																			
DESIGN UNITS <input type="checkbox"/> METRIC <input checked="" type="checkbox"/> US CUSTOMARY		RAW MATERIAL-COMMERCIAL STANDARD MICRO SWITCH STANDARDS APPLY																																	
DIMENSIONS ARE TO BE MET BEFORE PROTECTIVE COATINGS ARE APPLIED		WEIGHT 7.0 OZ MAX																																	
<table border="1"> <tr> <th colspan="2">CHARACTERISTICS</th> <th colspan="2">ELECTRICAL DATA</th> </tr> <tr> <td>OPERATING FORCE</td> <td>6-12 LB</td> <td colspan="2">CONTACT ARRANGEMENT</td> </tr> <tr> <td>FULL OVERTRAVEL</td> <td>30 LB MAX</td> <td colspan="2">S P D T (2)</td> </tr> <tr> <td>RELEASE FORCE</td> <td>4 LB MIN</td> <td colspan="2">28 VDC</td> </tr> <tr> <td>PRETRAVEL</td> <td>.040 MAX</td> <td>LOAD</td> <td>SEA LEVEL 50,000 FT.</td> </tr> <tr> <td>DIFFERENTIAL TRAVEL</td> <td>.020 MAX</td> <td>RES</td> <td>5</td> </tr> <tr> <td>OVERTRAVEL</td> <td>.250 MIN</td> <td>IND</td> <td>3</td> </tr> <tr> <td></td> <td></td> <td>MOTOR</td> <td>4</td> </tr> </table>		CHARACTERISTICS		ELECTRICAL DATA		OPERATING FORCE	6-12 LB	CONTACT ARRANGEMENT		FULL OVERTRAVEL	30 LB MAX	S P D T (2)		RELEASE FORCE	4 LB MIN	28 VDC		PRETRAVEL	.040 MAX	LOAD	SEA LEVEL 50,000 FT.	DIFFERENTIAL TRAVEL	.020 MAX	RES	5	OVERTRAVEL	.250 MIN	IND	3			MOTOR	4		
CHARACTERISTICS		ELECTRICAL DATA																																	
OPERATING FORCE	6-12 LB	CONTACT ARRANGEMENT																																	
FULL OVERTRAVEL	30 LB MAX	S P D T (2)																																	
RELEASE FORCE	4 LB MIN	28 VDC																																	
PRETRAVEL	.040 MAX	LOAD	SEA LEVEL 50,000 FT.																																
DIFFERENTIAL TRAVEL	.020 MAX	RES	5																																
OVERTRAVEL	.250 MIN	IND	3																																
		MOTOR	4																																