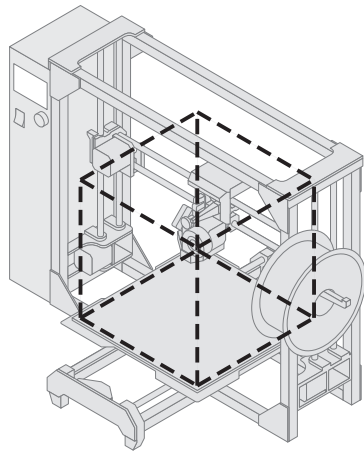


LULZBOT® TAZ WORKHORSE

Specifications

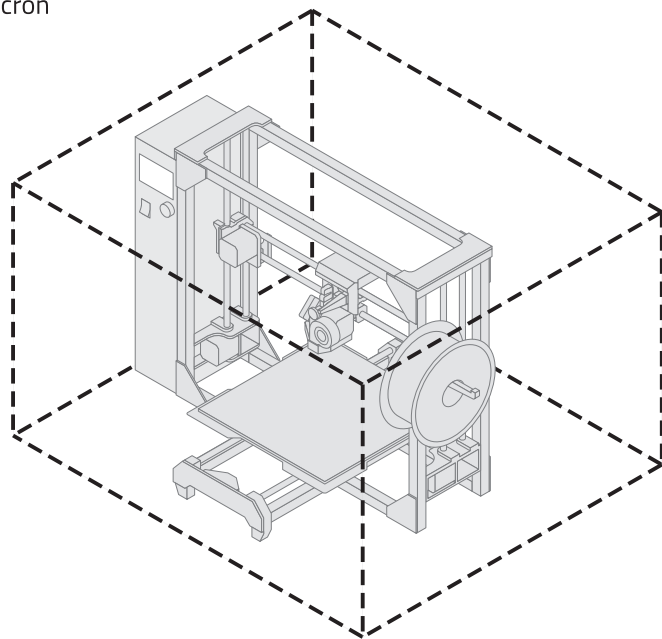
Printing

Print Technology	Fused Filament Fabrication
Print Area	280 mm x 280 mm x 285 mm (11.02 in x 11.02 in x 11.22 in)
Print Volume	22,344 cm ³ (1,362.5 in ³)
Recommended Operating Temperature	From 5°C to 45°C (41°F to 113°F)
Dimensions with Reel	83.2 cm x 51 cm x 52 cm (32.75 in x 20.08 in x 20.47 in)
Operating Footprint	83.2 cm x 66.2 cm (32.75 in x 26.06 in)
Maximum Movement Speed	300mm/s
Print Surface Leveling	Automatic Compensation
Connectivity	USB Serial and SD Card
Extruder/Hot End	E3D Titan Aero with hardened steel nozzle and hobb
Nozzle Diameter	0.5 mm
Filament Diameter	2.85 mm
Maximum Extrusion Rate	13.82 mm ³ /s
Nozzle Material	Hardened Steel
Nozzle Temperature	Up to 290°C (554°F)
Nozzle Heat Up Time	From 18°C to 230°C (64°F to 446°F) in 1 min 36 sec
Print Surface	Heated Borosilicate Glass with PEI Surface
Maximum Print Surface Temperature	Up to 120°C (248°F)
Print Surface Heat Up Time	From 18°C to 100°C (64°F to 212°F) in 10 min 48 sec
Layer Resolution	50 micron - 400 micron
Minimum Positive Feature Size	0.5 mm
Calculated XYZ Positional Resolution	10, 10, <1 micron



Print Area

280 mm x 280 mm x 285 mm
(11.02 in x 11.02 in x 11.22 in)



Operating Footprint

83.2 cm x 66.2 cm
(32.76 in x 26.06 in)

Specifications (Cont.)

Universal Tool Head System

The next generation of modular tool heads allow for easy tool head swapping and a variety of nozzle sizes to fit every project.

SL Tool Head | Small Layer | 0.25 mm

Print with incredible detail and resolution.

HS Tool Head | Hardened Steel | 0.80 mm

Make high-strength, end-use parts with composite materials such as carbon-filled filament.

HS+ Tool Head | Hardened Steel | 1.20 mm

Design, print, and iterate large prototypes at incredible speeds with this high-output tool head.

Learn more about tool head upgrades at <https://www.lulzbot.com/store/tool-heads>

Materials

Open filament system compatibility

PLA, ABS, Nylon 645, Polycarbonate, Carbon Fiber Reinforced Blends, TPU 85A & 95A (Flexible), PETg, PETT, Copolyester, PVB (Polycast), HIPS, and many more 3rd party filaments.

Software

Operating System Compatibility

GNU/Linux, Mac, Windows

Recommended Software

Cura LulzBot Edition Version 3.2 or newer

Firmware

Marlin

Supported File Types

.stl, .obj, .g, .gcode, .x3d, .3mf, .png, .jpg

Electrical

Power Requirements

100VAC-240VAC

Output

24 volt DC, 500 wats, 21 amps

Power Supply

Auto-switching MEAN WELL RSP-500-24

Safety and Compliance

Certifications

FCC, CE, WEEE, CSA, RCM, OSHWA

Warranty

Includes one-year warranty and access to technical support seven days a week.

Optional one, two, or three-year extended warranty and support terms available.

Country of Origin

Made in Loveland, Colorado, USA from premium components.