

Isolation Power Transformers

Toroid Platform SMD



- Push Pull Converter Transformer
- Functional insulation for isolated power supply driver
- 2.5KVrms isolation (380Vrms continuous)

Electrical Specifications @ 25°C - Operating Temperature -40°C to +125°C

Part Number	Inductance (1-3) (μH ±35%)	Leakage Inductance (1-3) with (4-6) shorted (μH MAX)	Capacitance (1, 2, 3) to (4, 5, 6) (pF MAX)	DCR (1-3) (Ω MAX)	DCR (4-6) (Ω MAX)	ET MAX (1-3) ¹ (V-μsec Max)	Turns Ratio (1:3) (6:4)	Isolated Voltage ² (Vrms)
PH9085.011NL	1020	0.8	30	0.60	0.65	22	1CT : 1CT	2500
PH9085.012NL	1020	0.6	40	0.85	1.60	22	1CT : 2CT	
PH9085.021NL	1160	1.6	20	0.60	0.35	23.6	2CT : 1CT	
PH9085.034NL	1020	0.6	40	0.60	0.75	22	3CT : 4CT	
PH9085.035NL	1020	0.6	40	0.80	1.20	22	3CT : 5CT	
PH9085.038NL	1020	0.7	40	0.85	2.00	22	3CT : 8CT	
PH9085.043NL	1160	0.8	30	0.60	0.50	23.6	4CT : 3CT	
PH9085.083NL	1160	2.0	15	0.60	0.30	23.6	8CT : 3CT	
PH9085.089NL	1160	0.6	40	0.60	0.70	23.6	8CT : 9CT	

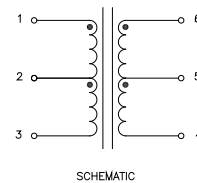
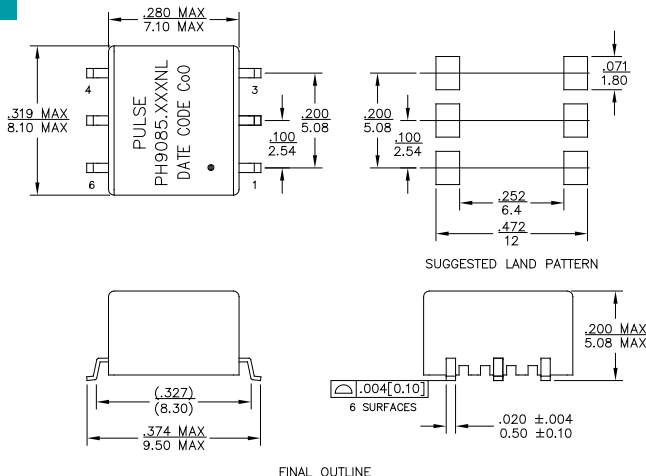
Notes:

- The ET Max is calculated to limit the core loss and temperature rise at 100kHz based on a bipolar flux swing of 210mT peak.
 - A. To calculate total copper loss (W), use the following formula:
Copper Loss (W) = I_{rms_Primary}² * DCR_Primary + I_{rms_Secondary}² * DCR_Secondary
 - B. To calculate total core loss (W), use the following formula:
Core Loss (W) = 7.70E-13 * (Frequency in kHz)^{2.45} * (210 * [ET/ET Max])^{2.5}
- For Push-Pull topology, where the voltage is applied across half the primary winding turns, the ET needs to be derated by 50% for the same flux swing.
- The applied ET may need to be further derated for higher frequencies based on the temperature rise which results from the core and copper losses
 - C. To calculate temperature rise, use the following formula: Temperature Rise (°C) = 340 * (Core Loss(W) + Copper Loss (W))
- The AEC-Q200 temperature and humidity operational life testing was completed using a dielectric strength test of 2750Vdc.
- Continuous isolation voltage confirmed by 125°C/1000hrs accelerated aging with the bias voltage applied between primary and secondary windings.

Mechanical

Schematic

PH9085.XXXNL



Weight0.365grams
Tape & Reel700/reel
Tray55/tray

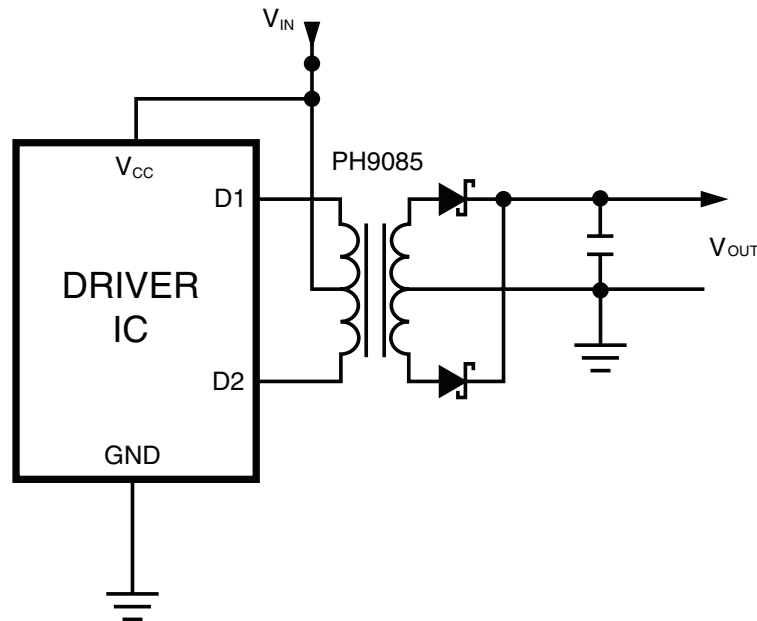
Dimensions: Inches / mm

Unless otherwise specified, all tolerances are ± .010 / 0.25

Application

PH9085.XXXNL is a series of high isolation power supply transformer drivers. Intended to operate in a fixed duty cycle Push Pull topology, it is a part of a low cost solution for delivering lower power (up to 2W) from a low voltage source. A typical implementation would be an isolated RS-485/RS-232 power supply driver circuit, the design is compatible with the MAXIM™ MAX253 IC.

A schematic diagram for the Push Pull converter topology is given below.



For a fixed 50% duty cycle mode of operation, the output voltage is simply determined by the input voltage and turns ratio. So, with the available turns ratios, a variety of output voltages can be selected.

MAXIM is a registered trademark of Maxim Integrated Products.

For More Information

Pulse Worldwide Headquarters

15255 Innovation Drive Ste 100
San Diego, CA 92128
U.S.A.

Pulse Europe

Pulse Electronics GmbH
Am Rottland 12
58540 Meinerzhagen
Germany

Pulse China Headquarters

Pulse Electronics (ShenZhen) CO., LTD
D708, Shenzhen Academy of
Aerospace Technology,
The 10th Keji South Road,
Nanshan District, Shenzhen,
P.R. China 518057

Pulse North China

Room 2704/2705
Super Ocean Finance Ctr.
2067 Yan An Road West
Shanghai 200336
China

Pulse South Asia

3 Fraser Street
0428 DUO Tower
Singapore 189352

Pulse North Asia

1F., No.111 Xiyuan Rd
Zhongli City
Taoyuan City 32057
Taiwan (R.O.C)

Tel: 858 674 8100
Fax: 858 674 8262

Tel: 49 2354 777 100
Fax: 49 2354 777 168

Tel: 86 755 33966678
Fax: 86 755 33966700

Tel: 86 21 62787060
Fax: 86 21 62786973

Tel: 65 6287 8998
Fax: 65 6280 0080

Tel: 886 3 4356768
Fax: 886 3 4356820

Performance warranty of products offered on this data sheet is limited to the parameters specified. Data is subject to change without notice. Other brand and product names mentioned herein may be trademarks or registered trademarks of their respective owners. © Copyright, 2018. Pulse Electronics, Inc. All rights reserved.