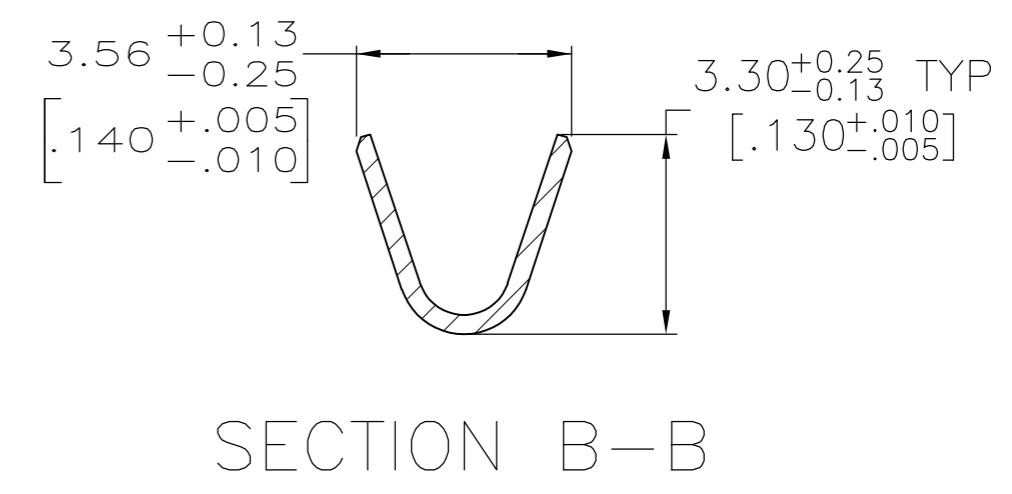
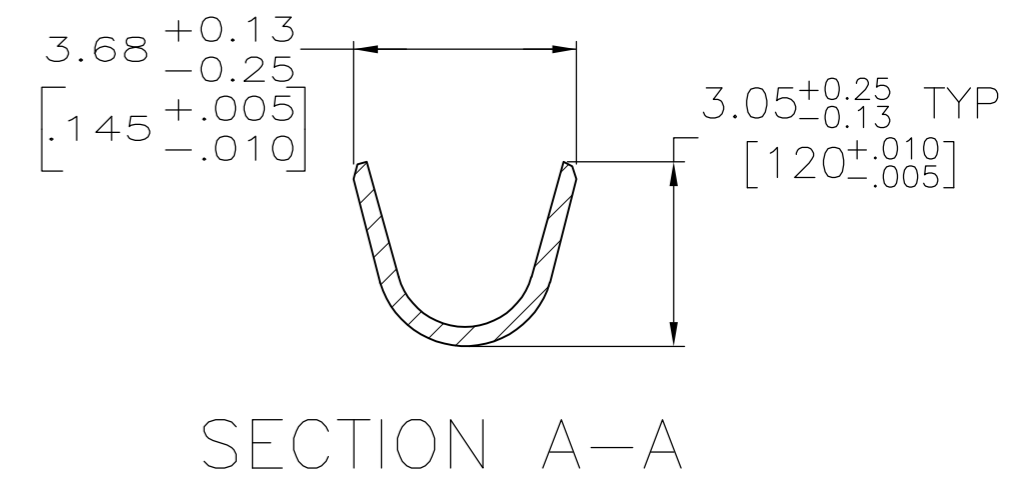
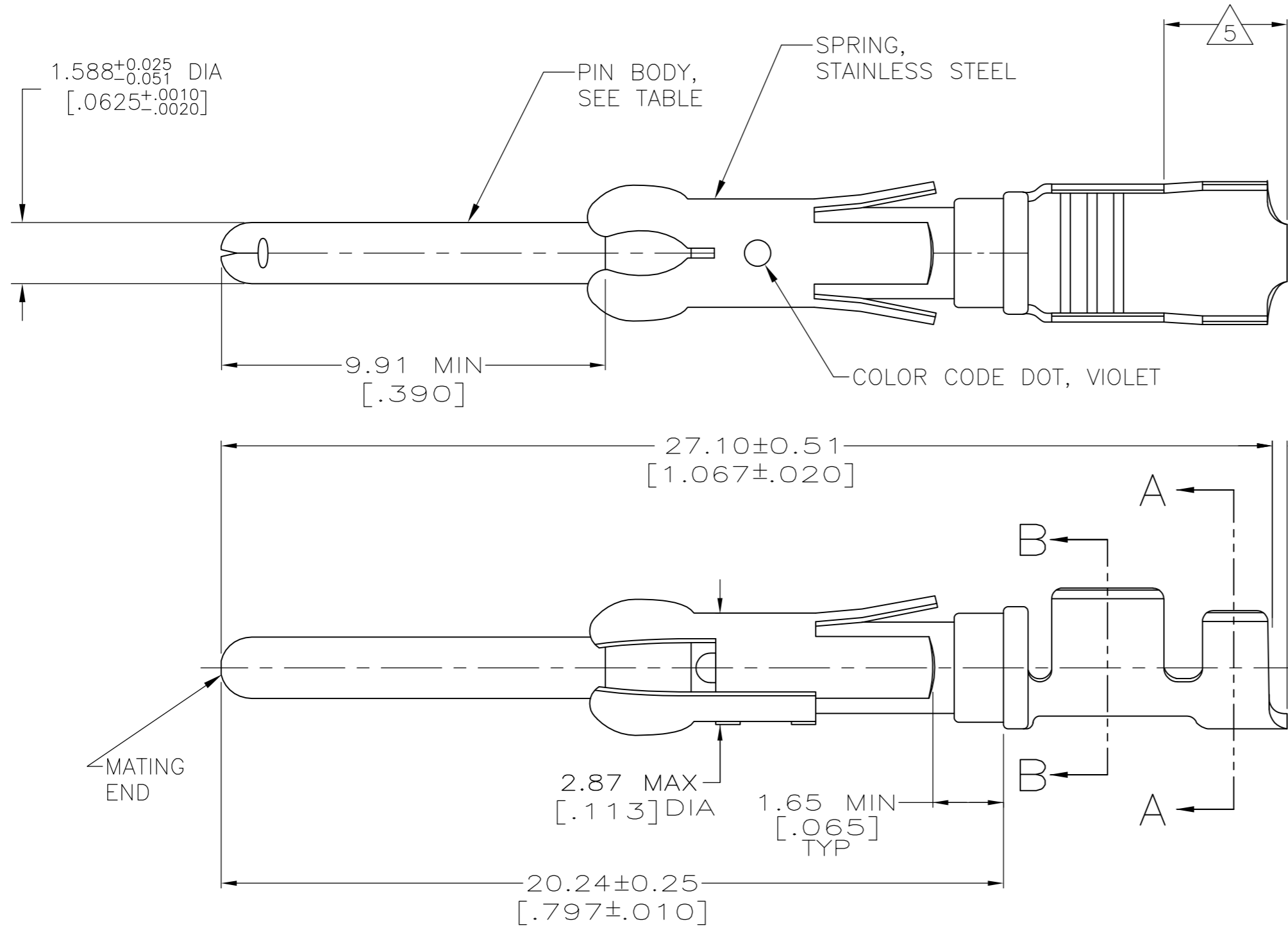


THIS DRAWING IS UNPUBLISHED. RELEASED FOR PUBLICATION  
 © COPYRIGHT - By - ALL RIGHTS RESERVED.

| LOC | DIST | REVISIONS |     |                           |           |     |      |
|-----|------|-----------|-----|---------------------------|-----------|-----|------|
| FT  | 0    | P         | LTR | DESCRIPTION               | DATE      | DWN | APVD |
|     |      | K1        |     | REVISED PER ECO-14-001124 | 24JAN2014 | NK  | MZ   |



- 1 0.76µm [.000030] MIN PRECIOUS METAL PLATE ON MATING END FOR A LENGTH OF 5.08 [.200] MIN WITH 1.27µm [.000050] MIN NICKEL PLATE. GOLD FLASH ALL OVER. CONFORMS TO THE REQUIREMENTS OF TE CONNECTIVITY PRODUCT SPEC 108-10042, BASED ON EIA/ECA-364-1000.01A ( CONTROLLED ENVIRONMENT APPLICATIONS ).
- 2 0.76µm [.000030] MIN PRECIOUS METAL PLATE ON MATING END FOR A LENGTH OF 5.08 [.200] MIN WITH A UNIFORM GRADIENT TO 0.25µm [.000010] ON REMAINDER, OVER 1.27µm [.000050] MIN NICKEL PLATE. GOLD FLASH ALL OVER. CONFORMS TO THE REQUIREMENTS OF TE CONNECTIVITY PRODUCT SPEC 108-10042, BASED ON EIA/ECA-364-1000.01A ( CONTROLLED ENVIRONMENT APPLICATIONS ).
- 3 0.38µm [.000015] MIN GOLD PER MIL-G-45204 ON MATING END FOR A LENGTH OF 5.08 [.200] MIN WITH 1.27µm [.000050] MIN MATTE TIN PLATE IN WIRE CRIMP AREA, BOTH OVER 1.27µm [.000050] MIN NICKEL PER QQ-N-290.
- 4 1.27µm [.000050] MIN TIN-LEAD PER MIL-T-10727 OVER 1.27µm [.000050] MIN NICKEL PER QQ-N-290.
- 5 GOLD PLATING NOT REQUIRED IN THIS AREA.
- 6 WIRE RANGE 18-14 AWG.
- 7 INSULATION RANGE 2.03[.080]-2.54[.100] DIA.
- 8 0.38µm [.000015] MIN GOLD PER MIL-G-45204 ON MATING END FOR A LENGTH OF 5.08 [.200] MIN, 1.27µm [.000050] MIN TIN-LEAD PER MIL-T-10727 FOR A LENGTH OF 5.69 [.224] MIN ON OPPOSITE END, BOTH OVER 1.27µm [.000050] MIN NICKEL PER QQ-N-290 ON ENTIRE CONTACT.
- 9 1.27µm [.000050] MIN TIN PER MIL-T-10727 OVER 1.27µm [.000050] MIN NICKEL PER QQ-N-290.
- 10 0.76µm [.000030] MIN PRECIOUS METAL PLATE ON MATING END FOR A LENGTH OF 5.08 [.200] MIN WITH 1.27µm [.000050] MIN MATTE TIN PLATE IN WIRE CRIMP AREA, BOTH OVER 1.27µm [.000050] NICKEL PLATE. CONFORMS TO THE REQUIREMENTS OF TE CONNECTIVITY PRODUCT SPEC 108-10042, BASED ON EIA/ECA-364-1000.01A ( CONTROLLED ENVIRONMENT APPLICATIONS ).

| STANDARD   | 9           | CU-NI ALLOY   | 1-66359-9              | 1-66361-6   |         |
|------------|-------------|---------------|------------------------|-------------|---------|
| STANDARD   | 4           | CU-NI ALLOY   | 1-66359-7              | 1-66361-5   |         |
| STANDARD   | 1           | CU-NI ALLOY   | 1-66359-6              | 1-66361-4   |         |
| SMALL PACK | 9           | BRASS         | 1-66359-4 OR 1-66359-8 | 1-66361-3   |         |
| STANDARD   | 9           | BRASS         | 1-66359-4 OR 1-66359-8 | 1-66361-2   |         |
| SMALL PACK | 10          | BRASS         | 66359-4                | 1-66361-1   |         |
| SMALL PACK | 4           | BRASS         | 66359-2                | 1-66361-0   |         |
| OBSOLETE   | STANDARD    | 8             | BRASS                  | 1-66359-3   | 66361-9 |
| OBSOLETE   | STANDARD    | 1             | PHOSPHOR BRONZE        | 1-66359-2   | 66361-8 |
| OBSOLETE   | STANDARD    | 4             | PHOSPHOR BRONZE        | 1-66359-1   | 66361-7 |
| STANDARD   | 10          | BRASS         | 66359-4                | 66361-4     |         |
| STANDARD   | 3           | BRASS         | 66359-3                | 66361-3     |         |
| STANDARD   | 4           | BRASS         | 66359-2                | 66361-2     |         |
| STANDARD   | 2           | BRASS         | 66359-1                | 66361-1     |         |
| PACKAGING  | BODY FINISH | BODY MATERIAL | STRIP P/N REF          | PART NUMBER |         |

THIS DRAWING IS A CONTROLLED DOCUMENT.

|                            |   |   |  |
|----------------------------|---|---|--|
| DIMENSIONS:<br>mm [INCHES] | TOLERANCES UNLESS OTHERWISE SPECIFIED:<br>0 PLC ± -<br>1 PLC ± -<br>2 PLC ± ± 0.13 [.005]<br>3 PLC ± -<br>4 PLC ± -<br>ANGLES ± - | DWN L.SIPE 06/03/92<br>CHK W.LENKER 6-11-92<br>APVD G.STEINHAUER 7-8-92<br>PRODUCT SPEC<br>APPLICATION SPEC | NAME<br><b>TE</b> TE Connectivity<br>PIN ASSEMBLY,<br>LOOSE PIECE, TYPE III+ |
| MATERIAL<br>SEE CALLOUTS   | FINISH<br>SEE TABLE   | WEIGHT<br>-   | SIZE<br>A2   |
| CUSTOMER DRAWING           |   | SCALE<br>8:1  | SHEET<br>1 OF 1  |