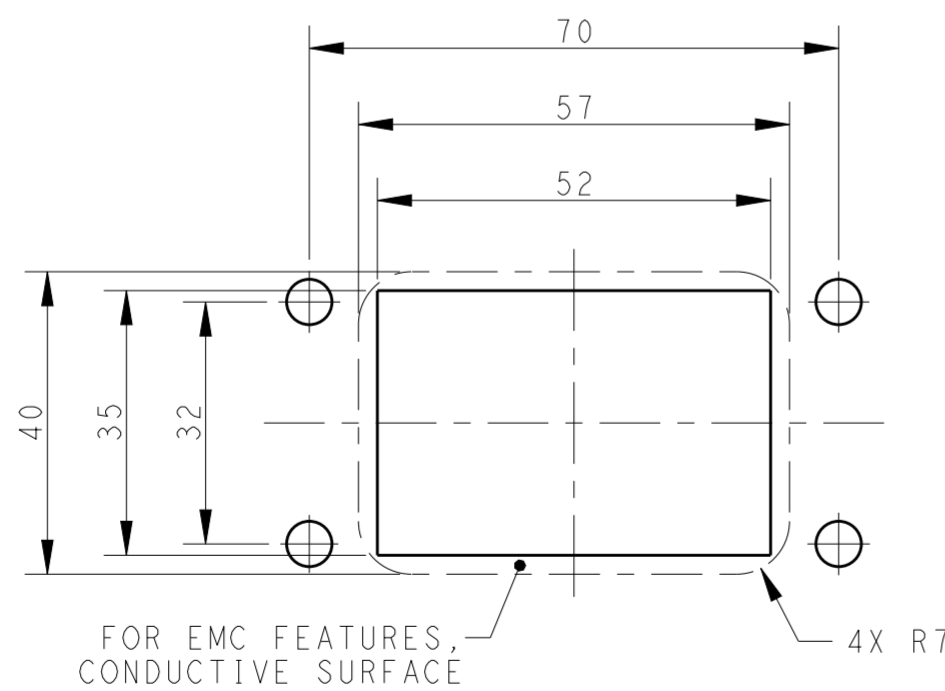
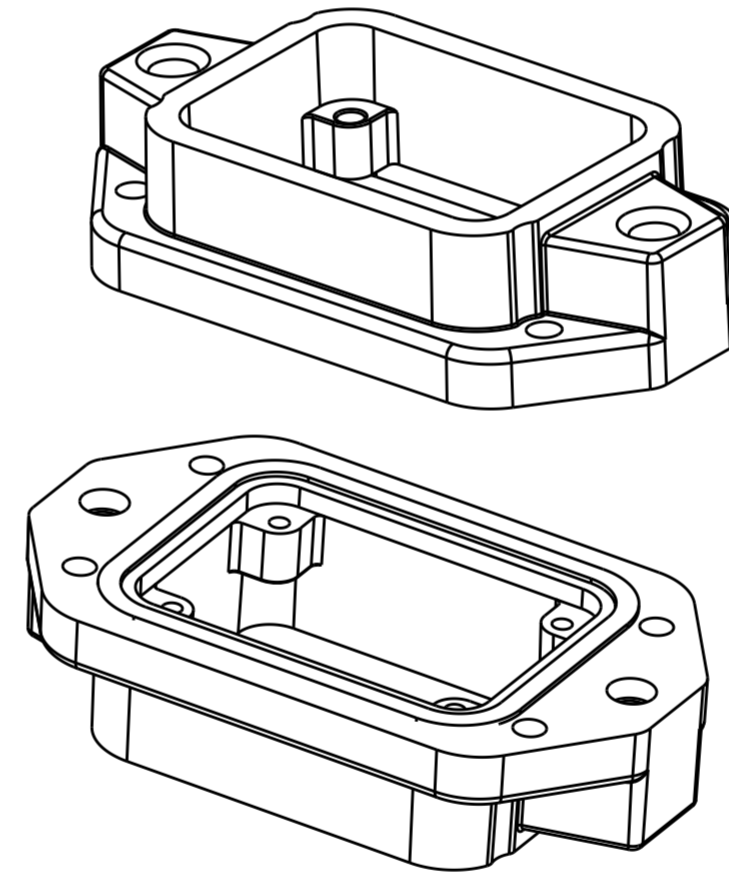
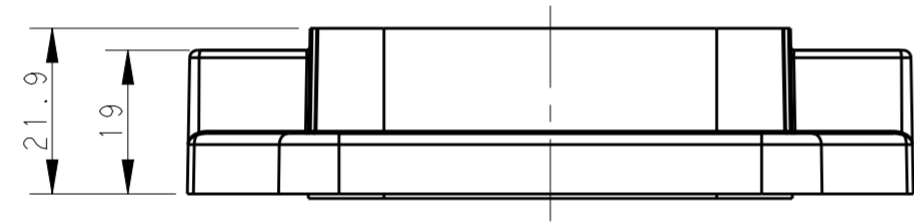
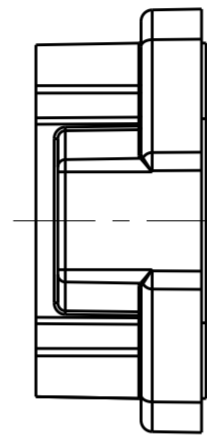
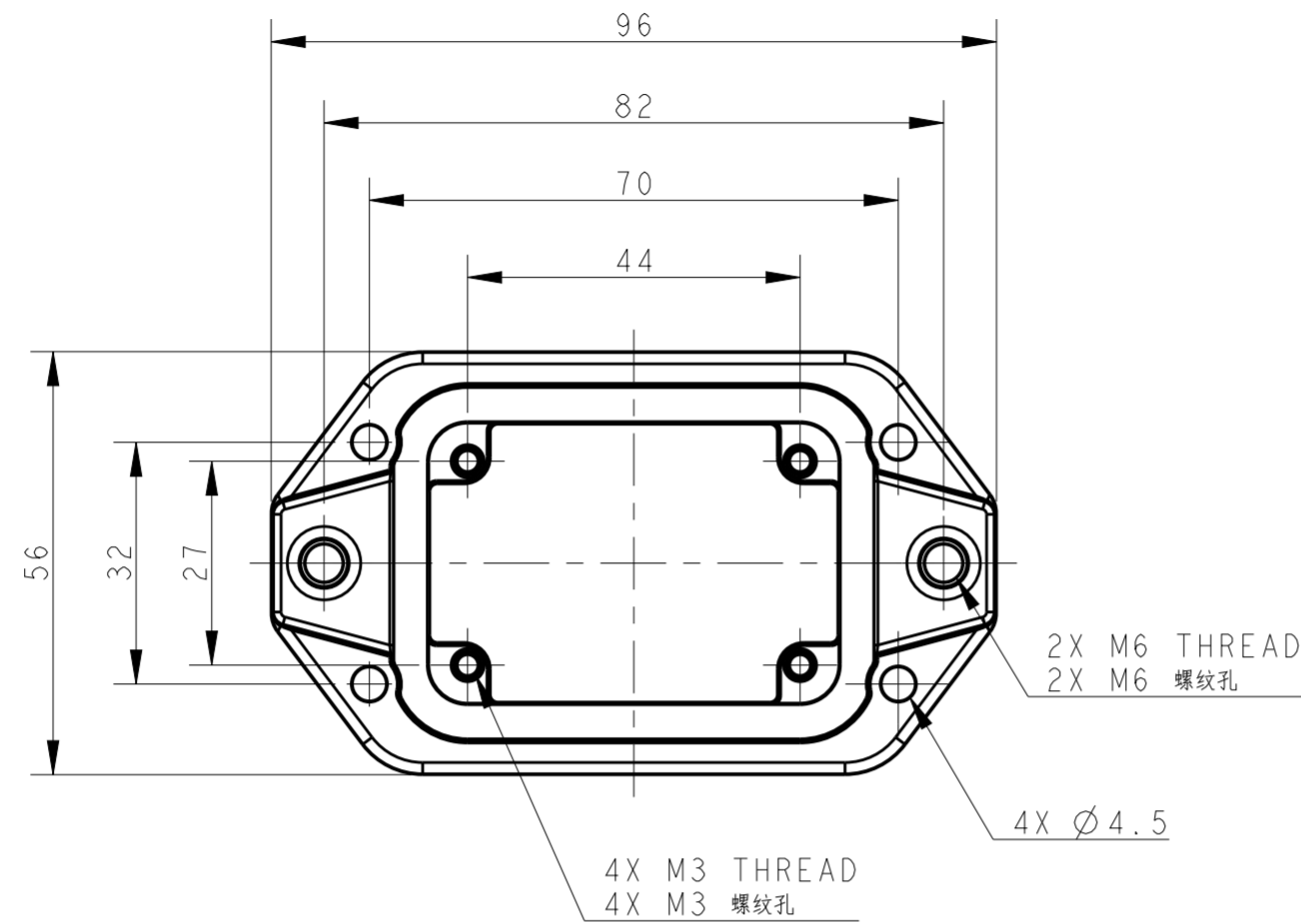


THIS DRAWING IS UNPUBLISHED. RELEASED FOR PUBLICATION 20  
 © COPYRIGHT 20 BY - ALL RIGHTS RESERVED.

REVISIONS				
P	LTR	DESCRIPTION	DATE	APVD
A		INITIAL RELEASE	18OCT2016	DW CW



Panel Cut Out Dimension, Only for Reference  
 面板开口尺寸, 仅供参考

NOTES:  
 1. TECHNICAL CHARACTERISTICS:  
 HOUSING MATERIAL: DIE CAST ALUMINIUM ALLOY  
 SURFACE : SEE TABLE  
 DEGREE OF PROTECTION: IP68 (MATED)

注释:  
 1. 技术参数:  
 壳体材料: 铝合金  
 表面处理: 见表格  
 防护等级: IP68 (配合)

T1932062000-009	H6BPR-AGC-EMC-C	H6BPR HOUSING, CENTER LOCKING, BULKHEAD MOUNTED, POWDER COATED, GREY H6BPR中部锁定开孔下壳 灰色
T1932061000-009	H6BPR-AGC-EMC-C	H6BPR HOUSING, CENTER LOCKING, BULKHEAD MOUNTED, POWDER COATED, SILVER WHITE H6BPR中部锁定开孔下壳 银白色
T1932060000-009	H6BPR-AGC-EMC-C	H6BPR HOUSING, CENTER LOCKING, BULKHEAD MOUNTED, POWDER COATED, BLACK H6BPR中部锁定开孔下壳 黑色

PART NUMBER 料号	DESCRIPTION 描述
-------------------	-------------------

THIS DRAWING IS A CONTROLLED DOCUMENT.		DWN 18OCT2016 DAVID WANG	TE Connectivity
DIMENSIONS: mm		CHK 18OCT2016 CHRIS WANG	
TOLERANCES UNLESS OTHERWISE SPECIFIED:		APVD 18OCT2016 XIANG XU	
0 PLC ± 1 PLC ± 2 PLC ± 3 PLC ± 4 PLC ± ANGLES ± FINISH -		PRODUCT SPEC 108-137191 APPLICATION SPEC 114-137191 WEIGHT - Customer Drawing	
NAME H6BPR-AGC-EMC-C			RESTRICTED TO -
SIZE A2			SCALE 1:1
DRAWING NO. C-T193206X000009			SHEET 1 OF 1
REV A			