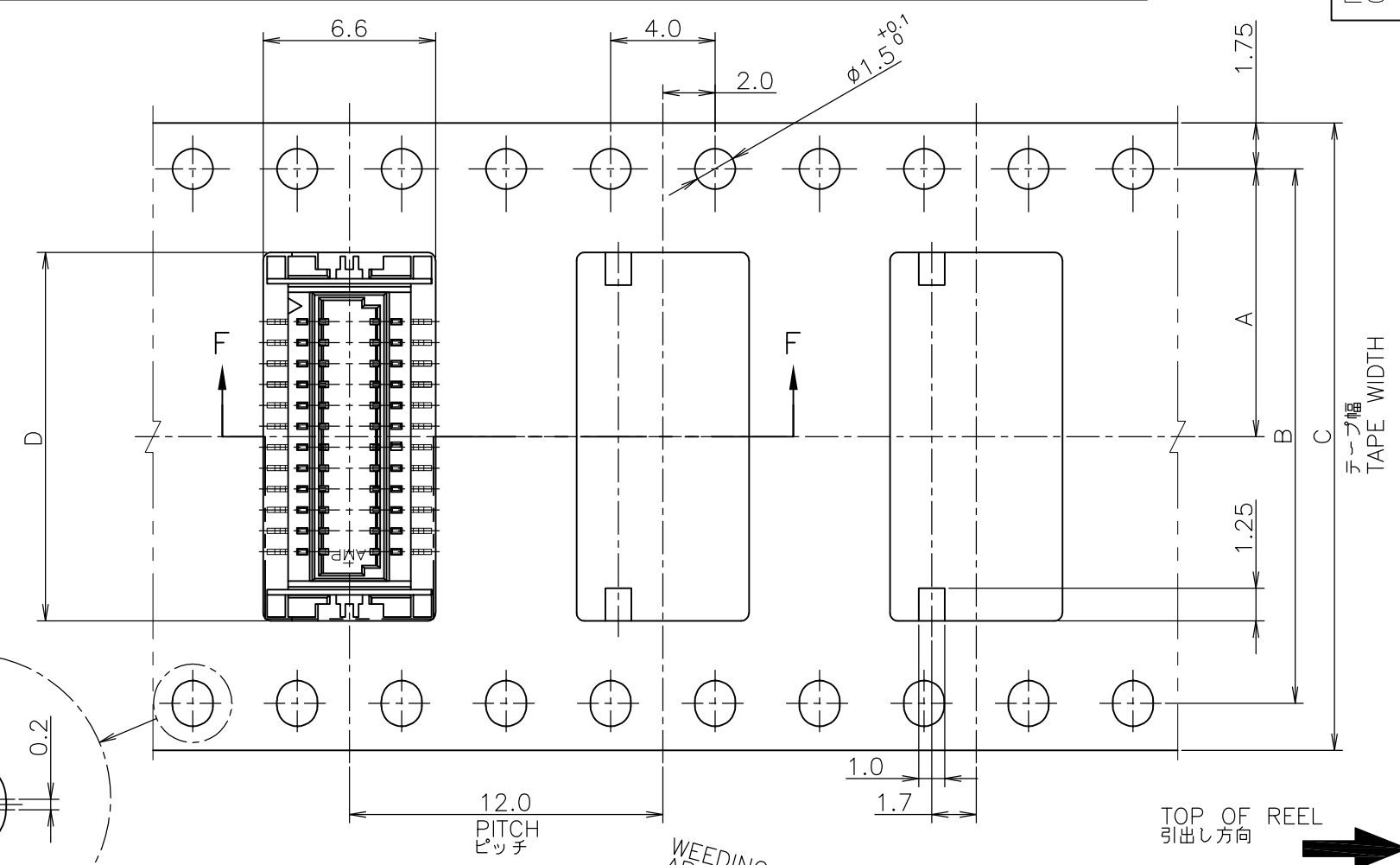


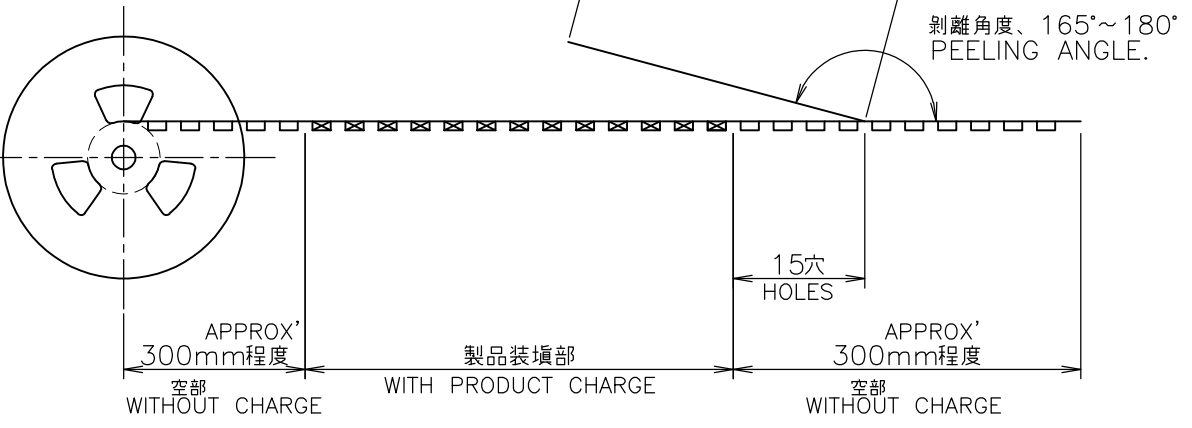
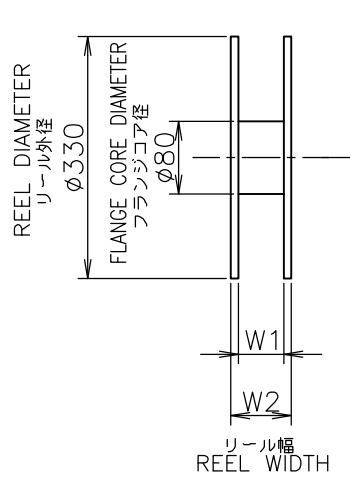
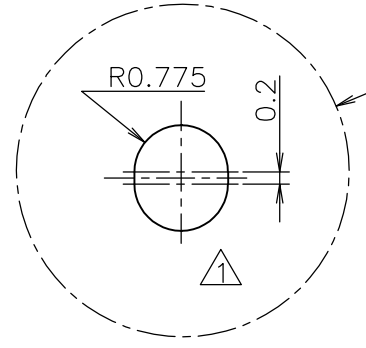
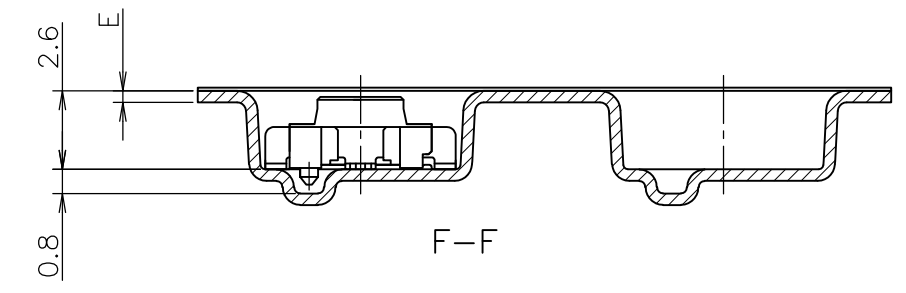
THIS DRAWING IS UNPUBLISHED. RELEASED FOR PUBLICATION FEB, 1994.
 © COPYRIGHT 1994 By - ALL RIGHTS RESERVED.

LOC	DIST	REVISIONS 変更			
P	LTR	DESCRIPTION	DATE	DWN	APVD
ES					
	L2	REVISED PER ECO-11-005694	27OCT2011	B.L	S.Y
	M	ECR-13-012512	09AUG2013	CC	WKH
	M1	ECR-13-018878	24DEC2013	I.T	WKH



AS SHOWN 24POS.

△ 指示穴は40極品以上に適用。
 △ THESE HOLES ARE APPLIED TO 40 POS OR MORE.



色	W2	W1	E	D	C	B	A	数量 (ヶ) QTY/REEL	極数 POS	リール巻 コネクタ型番 TAPING P/N
黒 BLACK	29.5	25.5	0.38	16.5	24	—	11.5	1500	30	3-179397-5
OBSOLETE	49.5	45.5	0.38	24.5	44	40.4	20.2	1500	50	5-179397-0
OBSOLETE	37.5	33.5	—	20.5	32	28.4	14.2	—	40	4-—-0
	—	—	—	16.5	—	—	—	—	30	3-—-0
	29.5	25.5	—	14.1	24	—	11.5	—	24	2-—-4
OBSOLETE	—	—	—	10.9	—	—	—	—	16	1-—-6
OBSOLETE	21.5	17.5	0.38	10.1	—	—	—	—	14	1-—-4
ベージュ BEIGE	22.4	16.4	0.4	9.3	16	—	7.5	1500	12	1-179397-2

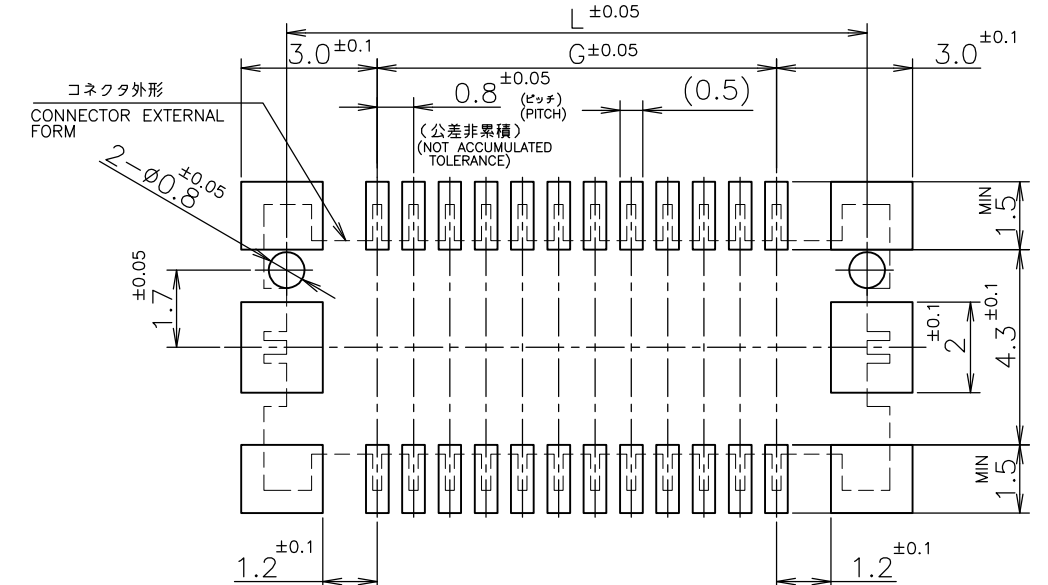
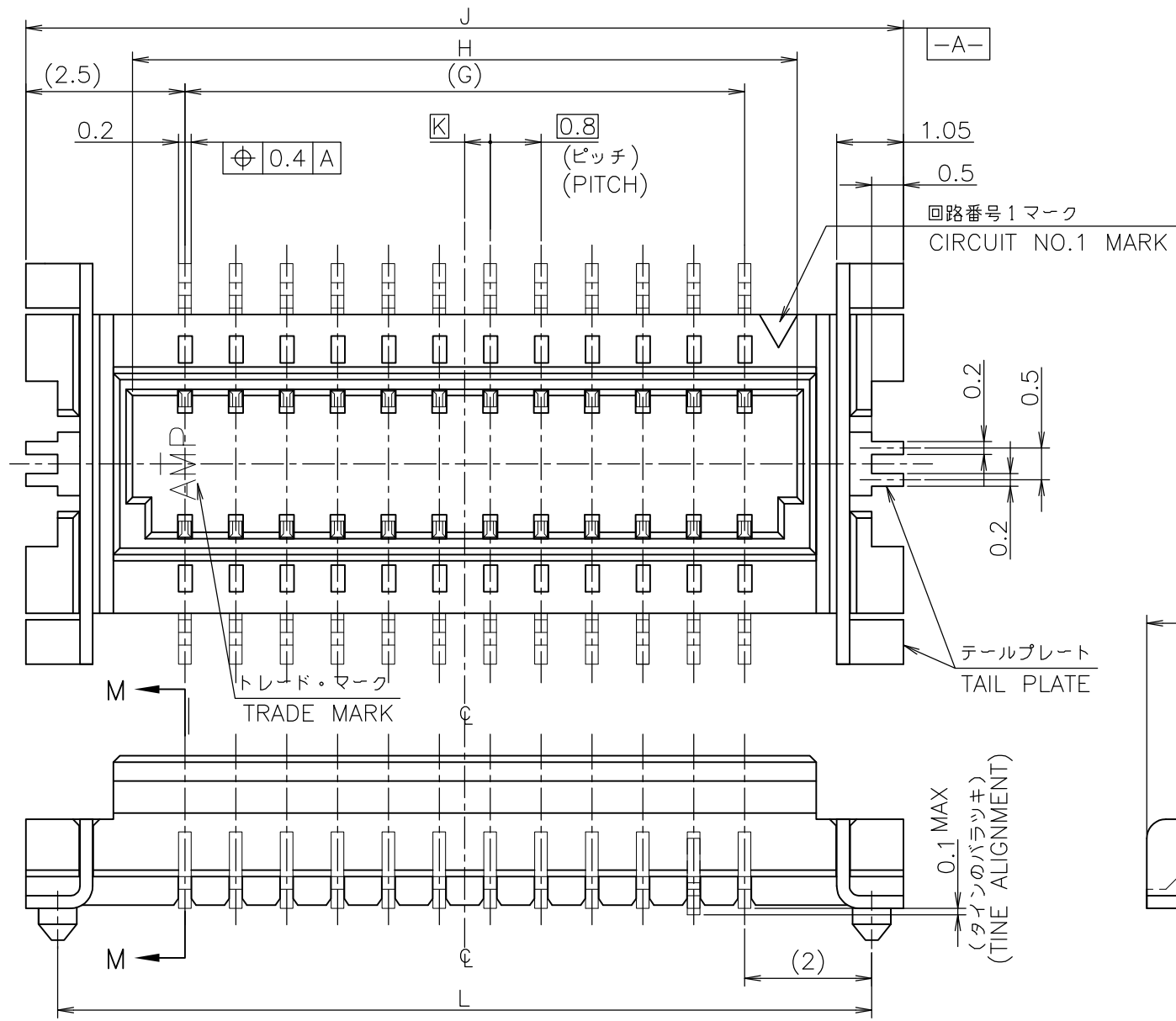
INSTRUCTION SHEET
取扱説明書
411-5654

THIS DRAWING IS A CONTROLLED DOCUMENT.

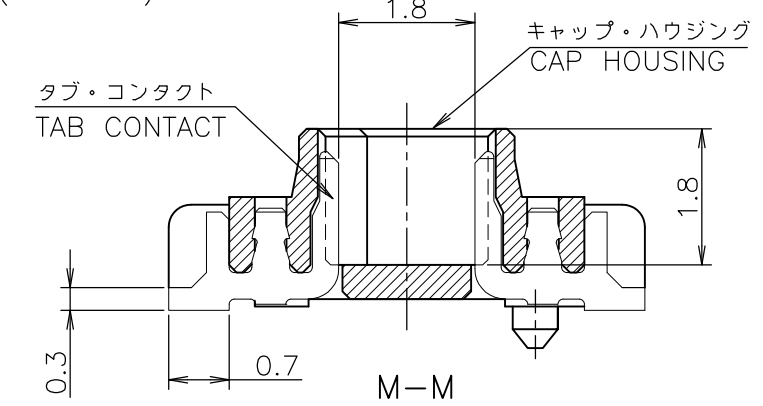
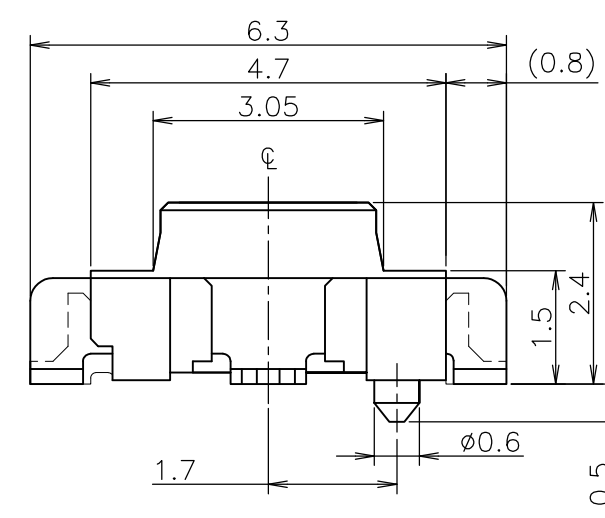
DIMENSIONS: 単位: 耗 mm	TOLERANCES UNLESS OTHERWISE SPECIFIED: 一般公差	DWN K.ASAKAWA 24FEB94	TE Connectivity			
	0 PLC ± 0.2 1 PLC ± 0.2 2 PLC ± 0.2 3 PLC ± 0.2 4 PLC ± 0.2 ANGLES ± 3°	CHK S.KUBOUCHI 24FEB94				
MATERIAL 材料	FINISH 仕上	APVD S.KUBOUCHI 01NOV96	NAME 名称 ON TAPING EMBOSS CAP ASSEMBLY WITH BOSS PRODUCT SPEC 製品規格 108-5424 APPLICATION SPEC 取付適用規格			
CUSTOMER DRAWING		WEIGHT	SIZE A3	CAGE CODE 00779	DRAWING NO 番号 C-179397	RESTRICTED TO
			SCALE 尺度 4:1	SHEET 1 OF 2	REV M1	

THIS DRAWING IS UNPUBLISHED. RELEASED FOR PUBLICATION FEB, 1994.
 © COPYRIGHT 1994 By - ALL RIGHTS RESERVED.

LOC	DIST	REVISIONS		
		P	LTR	DESCRIPTION
ES		-		SEE SHEET 1



参考基板加工寸法 (t=0.6 MIN.)
 REFERENCE P.C. BOARD LAYOUT
 (SCALE 6:1)



0.241	15.2	—//—	16.2	12.8	11.2	30
0.361	23.2	—//—	24.2	20.8	19.2	50
0.301	19.2	0.4	20.2	16.8	15.2	40
0.241	15.2	—//—	16.2	12.8	11.2	30
0.205	12.8	0.4	13.8	10.4	8.8	24
0.157	9.6	0.4	10.6	7.2	5.6	16
0.145	8.8	—//—	9.8	6.4	4.8	14
0.133	8.0	0.4	9.0	5.6	4.0	12
重量 (g) WEIGHT	L	K	J	H	G	極数 POS

△ 材料: ハウジング - 6T NYLON (高耐熱性ナイロン)
 ガラス30%, 色: ベージュ
 コンタクト - 燐青銅・錫めっき (0.2t)
 テールプレート - 燐青銅・錫めっき (0.2t)

△ MATERIAL: HOUSING - 6T NYLON (HIGH HEAT-RESISTED NYLON), GF30%,
 COLOR: BEIGE.
 CONTACT - POST-TIN/PHOS-BROZ(0.2t)
 TAIL PLATE - POST-TIN/PHOS-BROZ(0.2t)

THIS DRAWING IS A CONTROLLED DOCUMENT.

DIMENSIONS: 単位: 耗 mm	TOLERANCES UNLESS OTHERWISE SPECIFIED: 一般公差	DWN	 TE Connectivity
	0 PLC ± 0.2	CHK	
	1 PLC ± 0.2	APVD	
	2 PLC ± 0.2	PRODUCT SPEC 製品規格	
MATERIAL 材料 SEE NOTE ② 注 ②参照	3 PLC ± 0.2	APPLICATION SPEC 取付適用規格	NAME 名称
	4 PLC ± 0.2	WEIGHT	ON TAPING EMBOSS CAP ASSEMBLY WITH BOSS 0.8mm PITCH BOARD TO BOARD CONNECTOR MATING HEIGHT 3.0mm
FINISH 仕上 SEE NOTE ② 注 ②参照	ANGLES ± 3'	CUSTOMER DRAWING	SIZE
			CAGE CODE
			DRAWING NO 番号
			RESTRICTED TO
			SCALE 尺度 10:1
			SHEET 2 OF 2
			REV M1