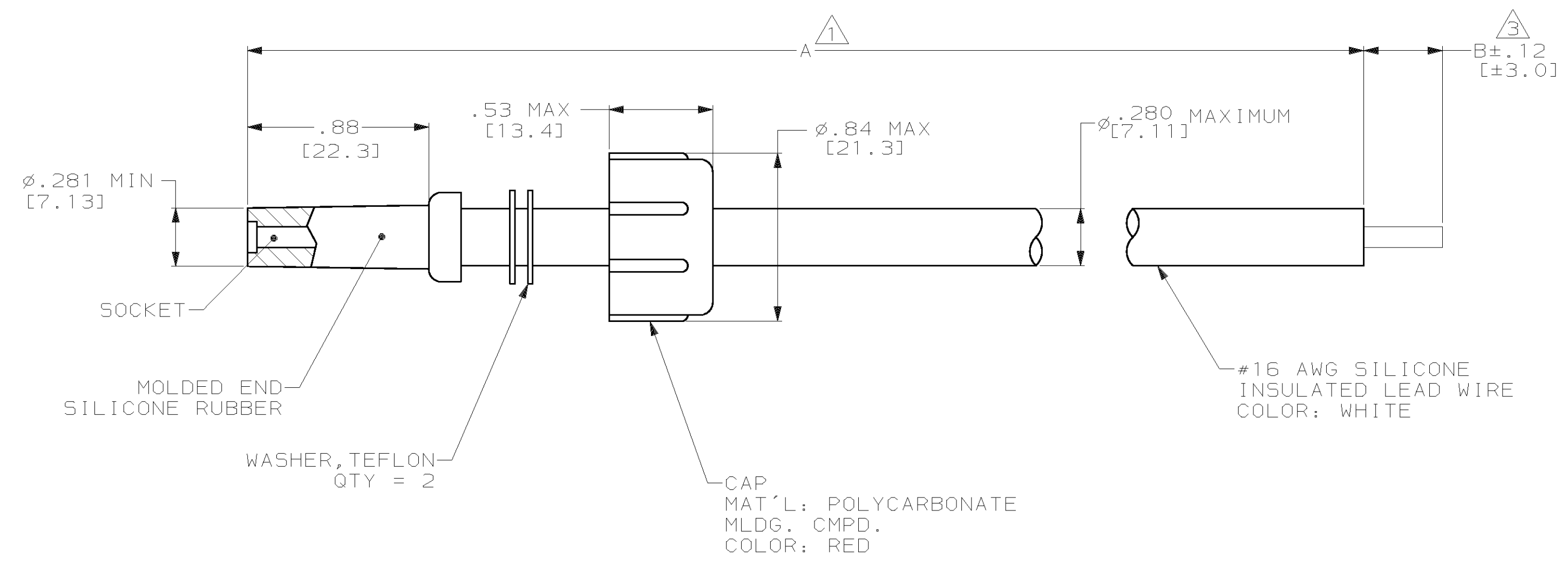


LOC	DIST	P	F	ZONE	LTR	DESCRIPTION	DATE	APPD
DF	S0					REV PER 063D-0468-02 JMK	12-02	DE

PART NO.	A	B	
837655-1	11.00 [279.4]	-	
837655-2	24.00 [609.6]	-	
837655-3	6.50 [165.1]	.50 [12.7]	OBSOLETE
837655-4	9.00 [228.6]	-	
837655-5	36.00 [914.4]	.38 [9.7]	
837655-6	30.00 [762.0]	-	
837655-7	6.00 [152.4]	.38 [9.7]	
837655-8	24.00 [609.6]	.38 [9.7]	
837655-9	20.00 [508.0]	.38 [9.7]	
1-837655-0	18.00 [457.2]	.50 [12.7]	
1-837655-1	12.00 [304.8]	.38 [9.7]	
1-837655-2	3.50 [88.9]	.38 [9.7]	
1-837655-3	48.00 [1219.2]	.38 [9.7]	
1-837655-4	120.00 [3048.0]	.38 [9.7]	
1-837655-5	620.00 [15748.0]	.38 [9.7]	
1-837655-6	96.00 [2438.4]	.38 [9.7]	OBSOLETE
1-837655-7	35.00 [889.0]	.50 [12.7]	
1-837655-8	26.00 [660.4]	.38 [9.7]	
1-837655-9	16.00 [406.4]	.38 [9.7]	OBSOLETE
2-837655-0	25.00 [635.0]	.38 [9.7]	OBSOLETE
2-837655-1	28.00 [711.2]	.38 [9.7]	
2-837655-2	12.00 [304.8]	.50 [12.7]	
2-837655-3	27.00 [685.8]	.38 [9.7]	OBSOLETE
2-837655-4	8.61 [218.7]	.25 [6.3]	
2-837655-5	240.00 [6096.0]	.38 [9.7]	OBSOLETE
2-837655-6	72.00 [1828.8]	.38 [9.7]	OBSOLETE
2-837655-7	48.00 [1219.2]	-	OBSOLETE
2-837655-8	9.50 [241.3]	.50 [12.7]	OBSOLETE
2-837655-9	54.00 [1371.6]	.38 [9.7]	OBSOLETE
3-837655-0	15.00 [381.0]	.38 [9.7]	
3-837655-1	72.00 [1828.8]	-	OBSOLETE
3-837655-2	22.00 [558.8]	.38 [9.7]	OBSOLETE
3-837655-3	9.00 [228.6]	.38 [9.7]	OBSOLETE
3-837655-4	4.50 [114.3]	.38 [9.7]	
3-837655-5	15.43 [391.9]	.38 [9.7]	OBSOLETE
3-837655-6	11.00 [279.4]	.25 [6.3]	
3-837655-7	15.00 [381.0]	.25 [6.3]	OBSOLETE
3-837655-8	29.00 [736.6]	.38 [9.7]	OBSOLETE
3-837655-9	96.00 [2438.4]	.38 [9.7]	
4-837655-0	73.00 [1854.2]	.38 [9.7]	OBSOLETE
4-837655-1	40.00 [1016.0]	.38 [9.7]	
4-837655-2	60.00 [1524.0]	.38 [9.7]	
4-837655-3	42.00 [1066.8]	.38 [9.7]	OBSOLETE
4-837655-4	4.00 [101.6]	.38 [9.7]	OBSOLETE
4-837655-5	10.00 [254.0]	.38 [9.7]	
4-837655-6	14.00 [355.6]	.38 [9.7]	OBSOLETE
4-837655-7	8.00 [203.2]	.38 [9.7]	
4-837655-8	5.50 [139.7]	.38 [9.7]	
4-837655-9	3.00 [76.2]	.38 [9.7]	
5-837655-0	19.00 [482.6]	.38 [9.7]	

PART NO.	A	B	
5-837655-1	15.75 [400.0]	-	OBSOLETE
5-837655-2	7.00 [177.8]	.38 [9.7]	
5-837655-3	13.00 [330.2]	.38 [9.7]	OBSOLETE
5-837655-4	11.50 [292.1]	.38 [9.7]	OBSOLETE
5-837655-5	4.75 [120.6]	.38 [9.7]	OBSOLETE
5-837655-6	144.00 [3657.6]	.38 [9.7]	OBSOLETE
5-837655-7	50.00 [1270.0]	.38 [9.7]	OBSOLETE
5-837655-8	84.00 [2133.6]	.38 [9.7]	OBSOLETE
5-837655-9	5.25 [133.3]	.38 [9.7]	OBSOLETE
6-837655-0	80.00 [2032.0]	.38 [9.7]	OBSOLETE
6-837655-1	19.50 [495.3]	.38 [9.7]	OBSOLETE
6-837655-2	39.50 [1003.3]	.38 [9.7]	OBSOLETE
6-837655-3	81.00 [2057.4]	.38 [9.7]	OBSOLETE
6-837655-4	10.00 [254.0]	.25 [6.3]	
6-837655-5	19.69 [500.1]	-	OBSOLETE
6-837655-6	7.75 [196.8]	.38 [9.7]	OBSOLETE
6-837655-7	108.00 [2743.2]	.38 [9.7]	OBSOLETE
6-837655-8	78.75 [2000.2]	.38 [9.7]	
6-837655-9	21.00 [533.4]	.38 [9.7]	
7-837655-0	7.25 [184.1]	.38 [9.7]	OBSOLETE
7-837655-1	30.00 [762.0]	.38 [9.7]	OBSOLETE
7-837655-2	4.00 [101.6]	-	OBSOLETE
7-837655-3	12.50 [317.5]	.38 [9.7]	OBSOLETE
7-837655-4	18.00 [457.2]	.38 [9.7]	OBSOLETE
7-837655-5	17.00 [431.8]	.38 [9.7]	OBSOLETE
7-837655-6	7.50 [190.5]	.38 [9.7]	OBSOLETE



- TOLERANCE OF LEAD LENGTH:
 UP TO 24 INCHES [609.6] = ±.12 [±3.0]
 24 INCHES [609.6] & UP = ±1%
- MARKED PER MIL-STD-130.
- WHERE APPLICABLE PIGTAIL IS SOLDER DIPPED.
- TO MATE WITH AMP LGH-1 RECEPTACLE WITH .88 BARREL DEPTH.
- OPERATING VOLTAGE: 20 KVDC AT 0 TO 70,000 FEET, -55°C TO 125°C.

DO NOT SCALE PRINT. UNLESS SPECIFIED DIMENSIONS IN INCHES [mm]	DR 12-8-89 C.C. THOMAS	AMP INCORPORATED Harrisburg, Pa. 17105
TOLERANCES ON: 2 PLC DEC ± .02 (0.5) 3 PLC DEC ± - ANGLES ± -	CHK 2-26-90 D.EABY	
MATERIAL	APPD 2-26-90 D.EABY	NAME LEAD ASS'Y, LGH-1, SINGLE MOLDED END
FINISH	APPD 2-26-90 D.EABY	SIZE D 00779
WEIGHT	APPLICATION SPEC	DRAWING NO 837655
		SCALE 2:1
		SHEET 1 OF 1