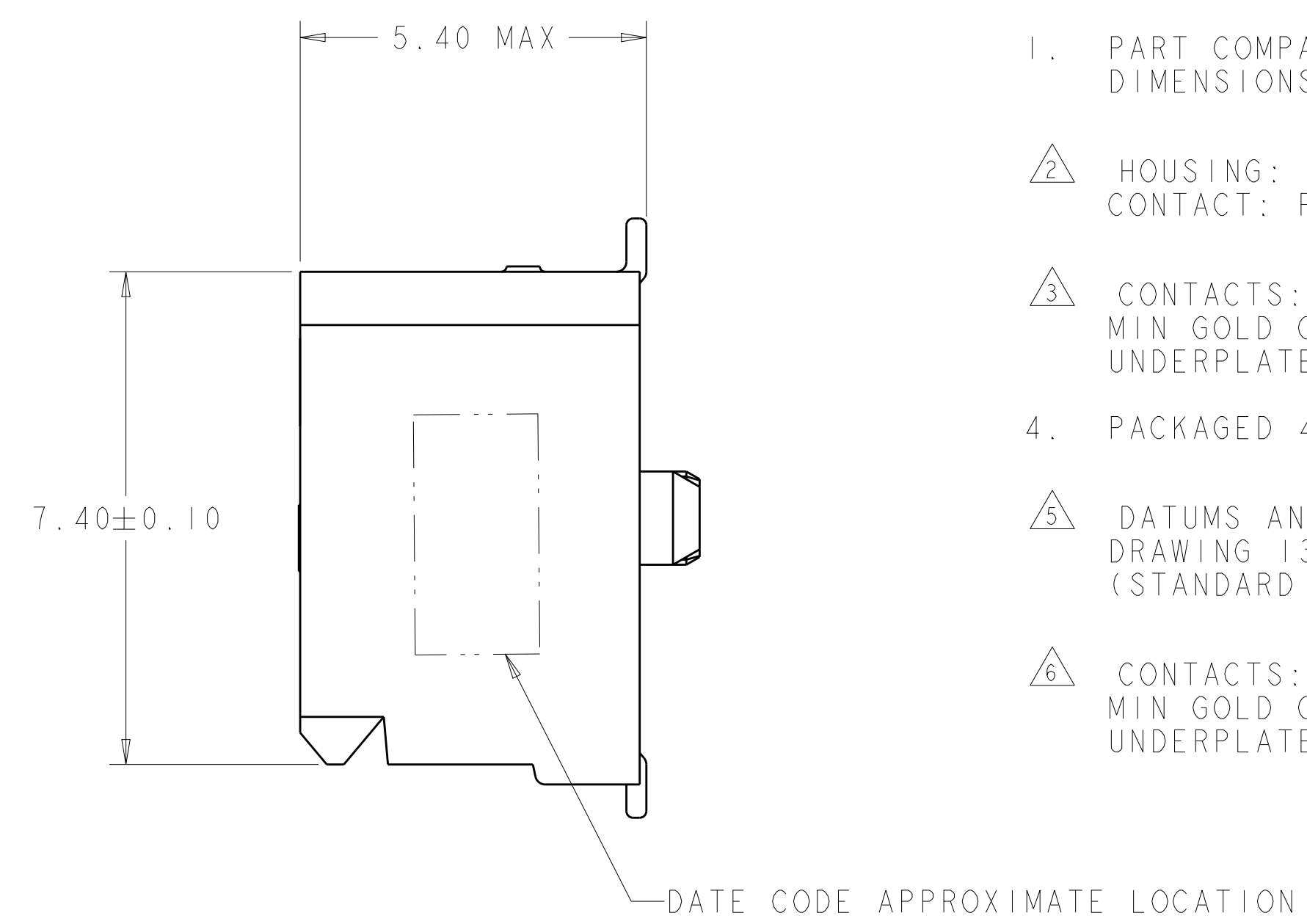
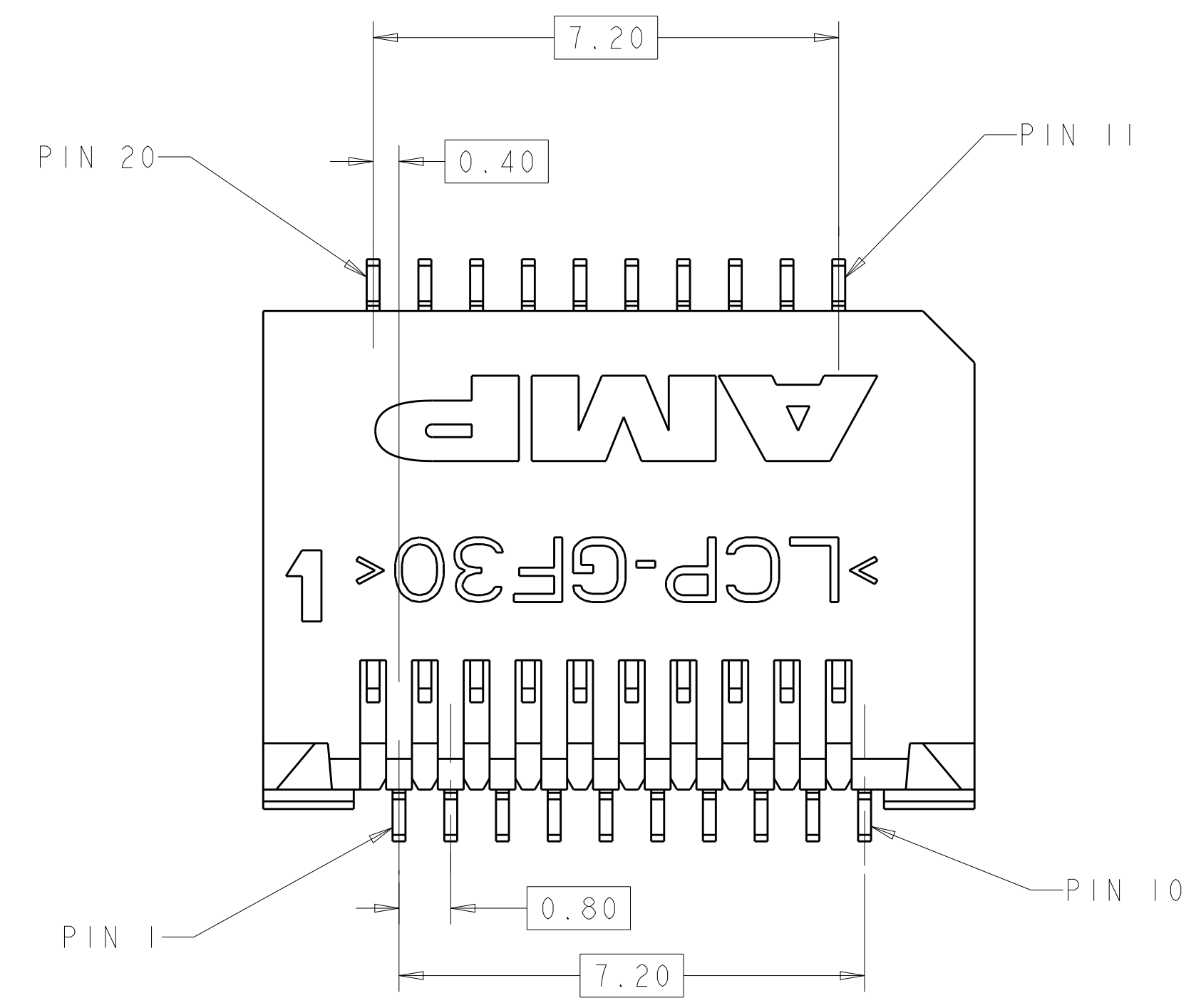
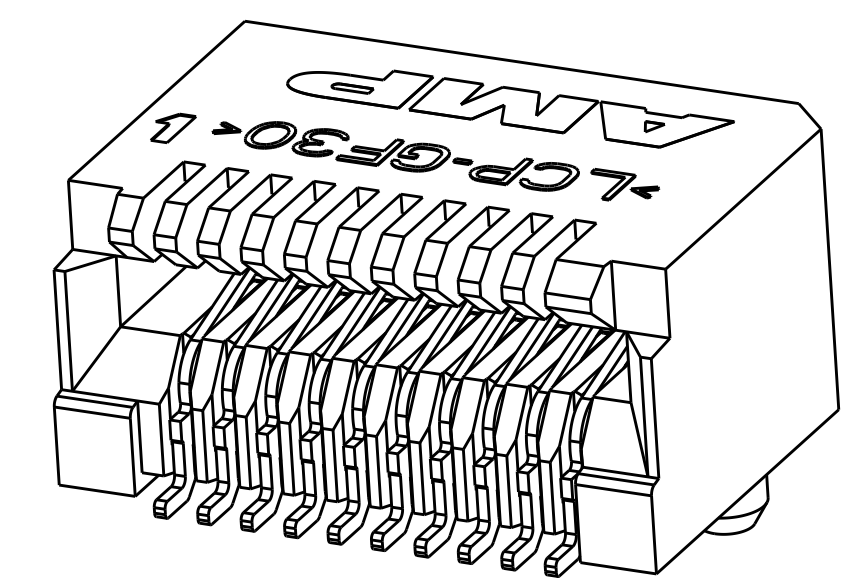
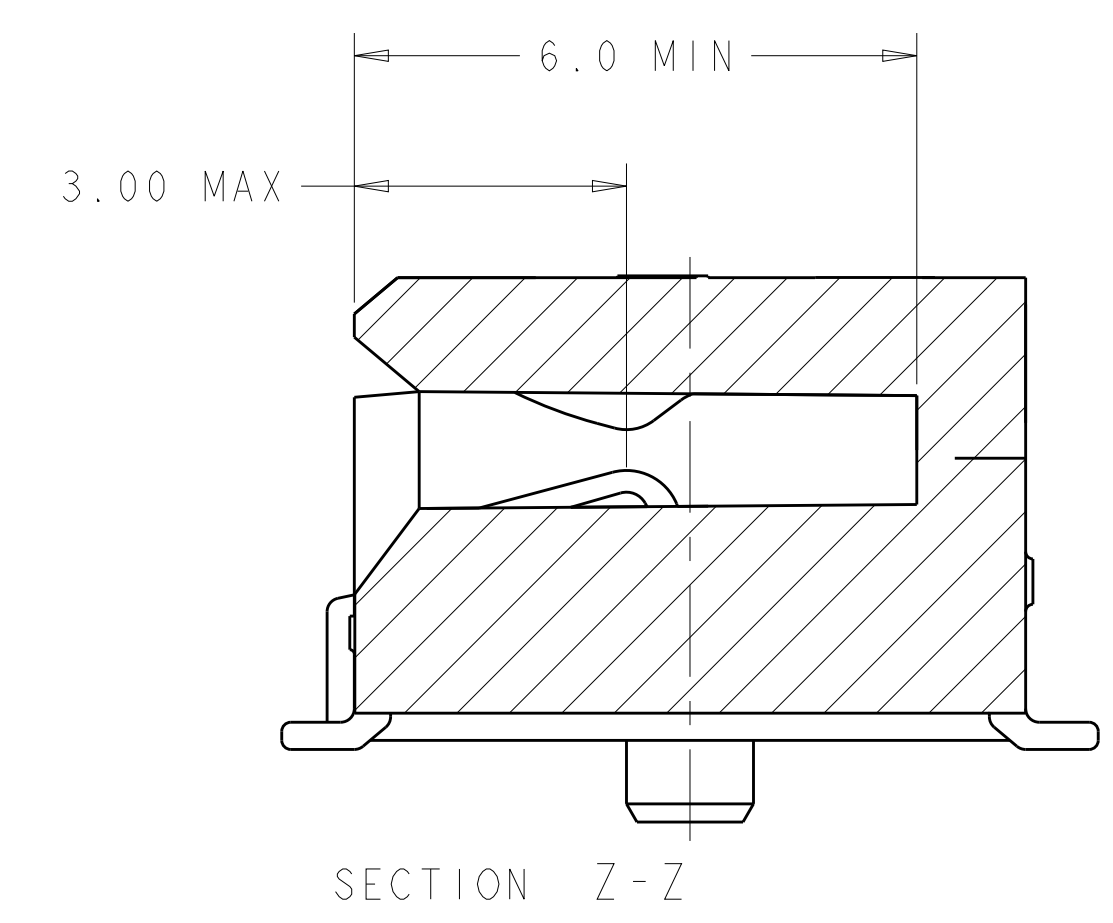
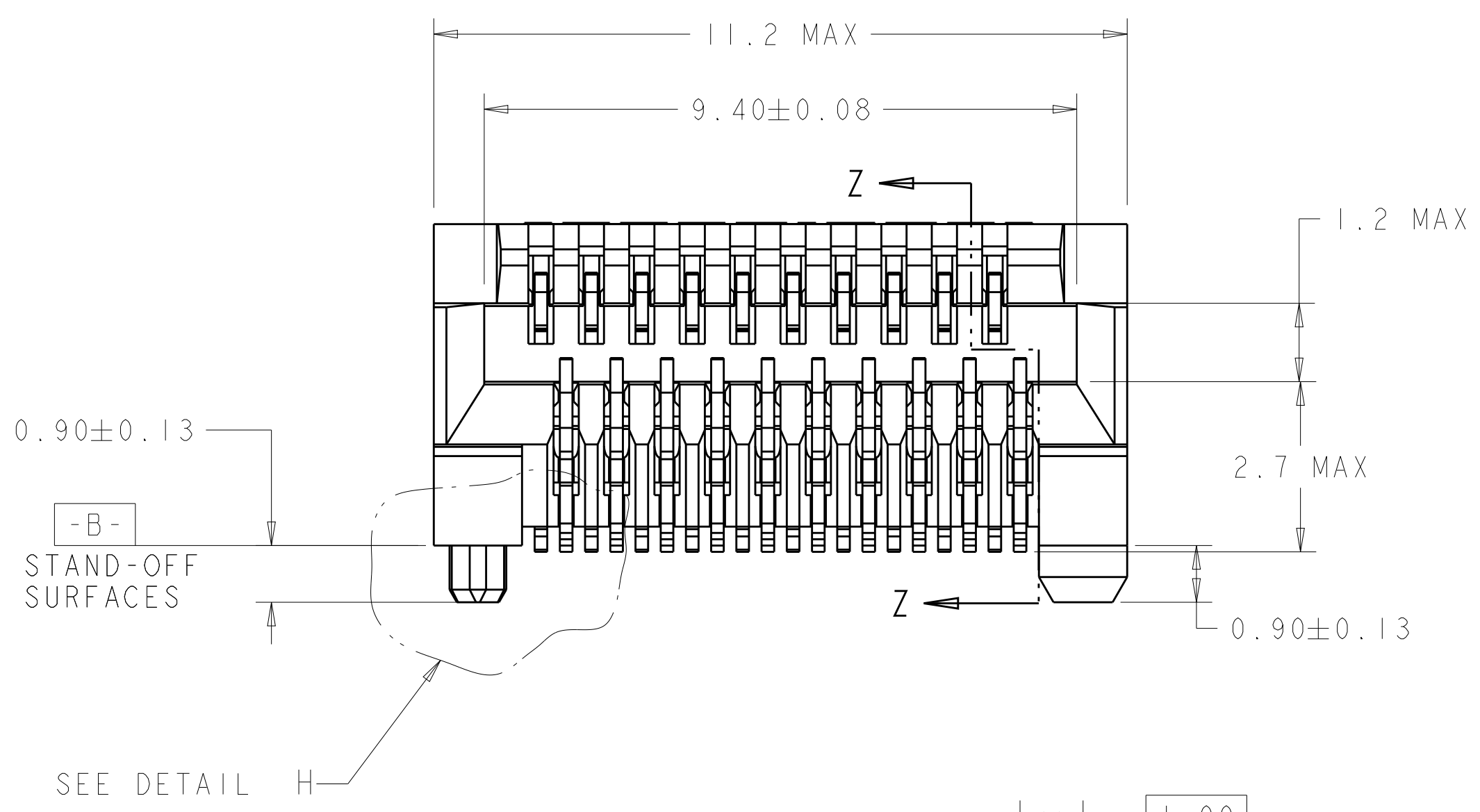


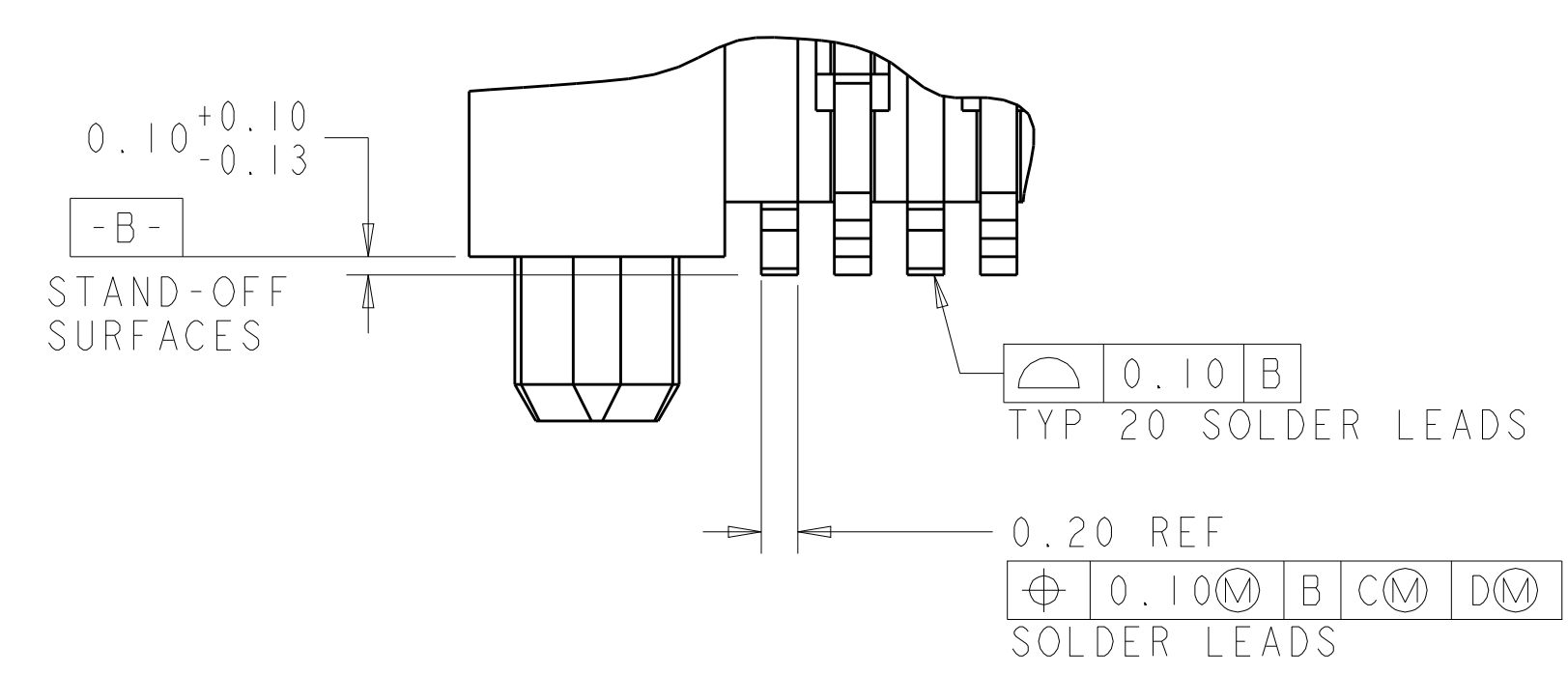
LOC	DIST	REVISIONS					
		P	LTN	DESCRIPTION	DATE	DWN	APVD
ES	00	J1		REVISED PER ECO-11-005033	09MAY2011	RK	HMR
		K		REVISED PER ECO-12-014566	18DEC2012	JY	AC
		L		UPDATE NICKEL PLATING THICKNESS	20JUN2017	JW	SH



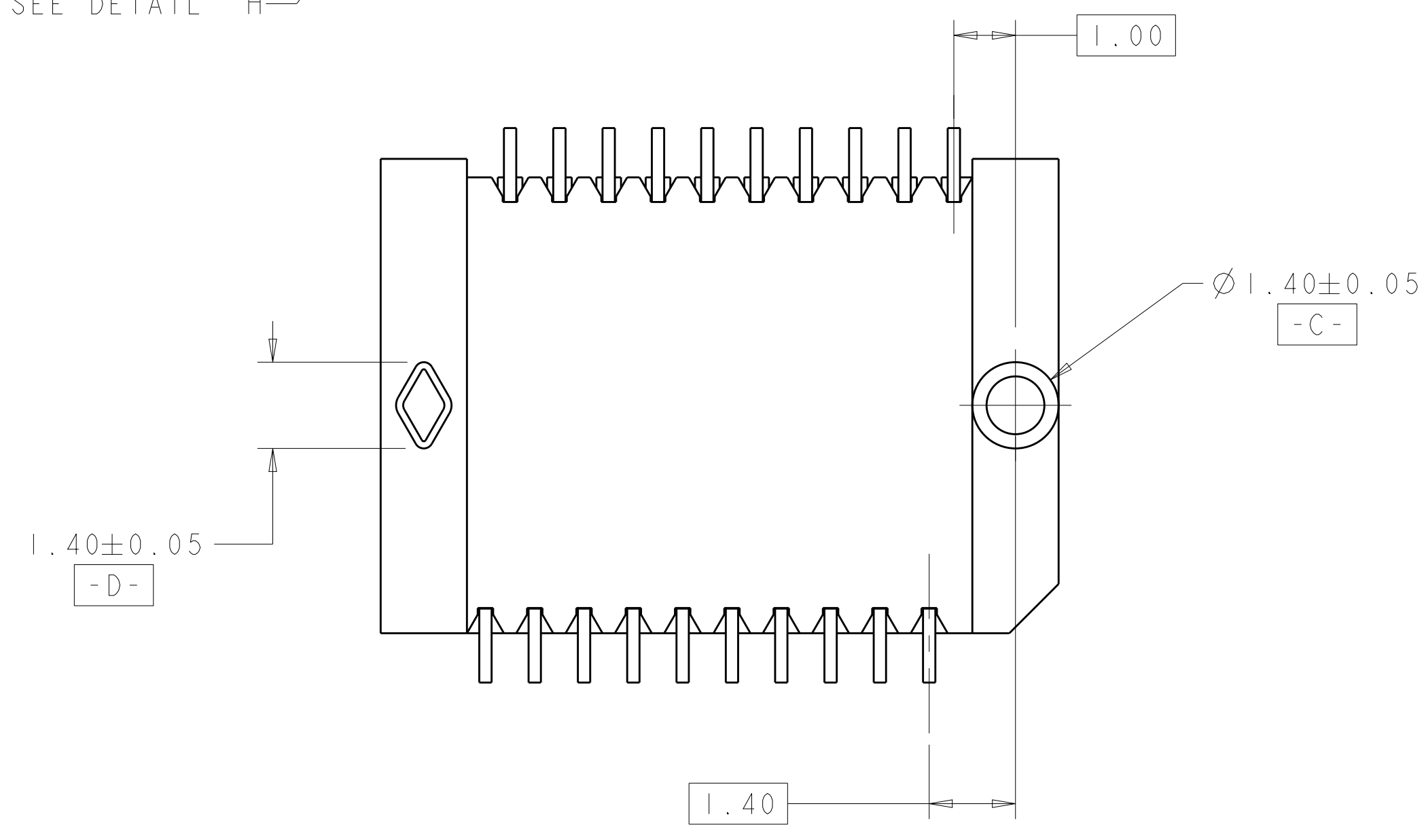
- PART COMPATABLE WITH SFP MSA. REFER TO THE SFP MSA FOR DIMENSIONS NOT SHOWN ON THIS PRINT.
- HOUSING: HIGH TEMPERATURE LCP, UL 94V-0 RATED, BLACK. CONTACT: PHOSPHOR BRONZE.
- CONTACTS: 0.00038 MIN GOLD IN CONTACT AREA, 0.00013 MIN GOLD ON SOLDER AREA, OVER 0.00127 MIN NICKEL UNDERPLATE ON ENTIRE CONTACT.
- PACKAGED 480 PIECES PER REEL.
- DATUMS AND BASIC DIMENSIONS TO BE ESTABLISHED BY CUSTOMER, SEE DRAWING 1367034 FOR LAYOUT WHEN USED WITH 1367034-1 BOTTOM CAGE (STANDARD SFP APPLICATION).
- CONTACTS: 0.00076 MIN GOLD IN CONTACT AREA, 0.00013 MIN GOLD ON SOLDER AREA, OVER 0.00127 MIN NICKEL UNDERPLATE ON ENTIRE CONTACT.



SCALE 8:1



DETAIL H
SCALE 25:1



YES	△6	1367073-4
YES	△3	1367073-3
NO	△6	1367073-2
NO	△3	1367073-1
DATE CODE	FINISH	PART NUMBER

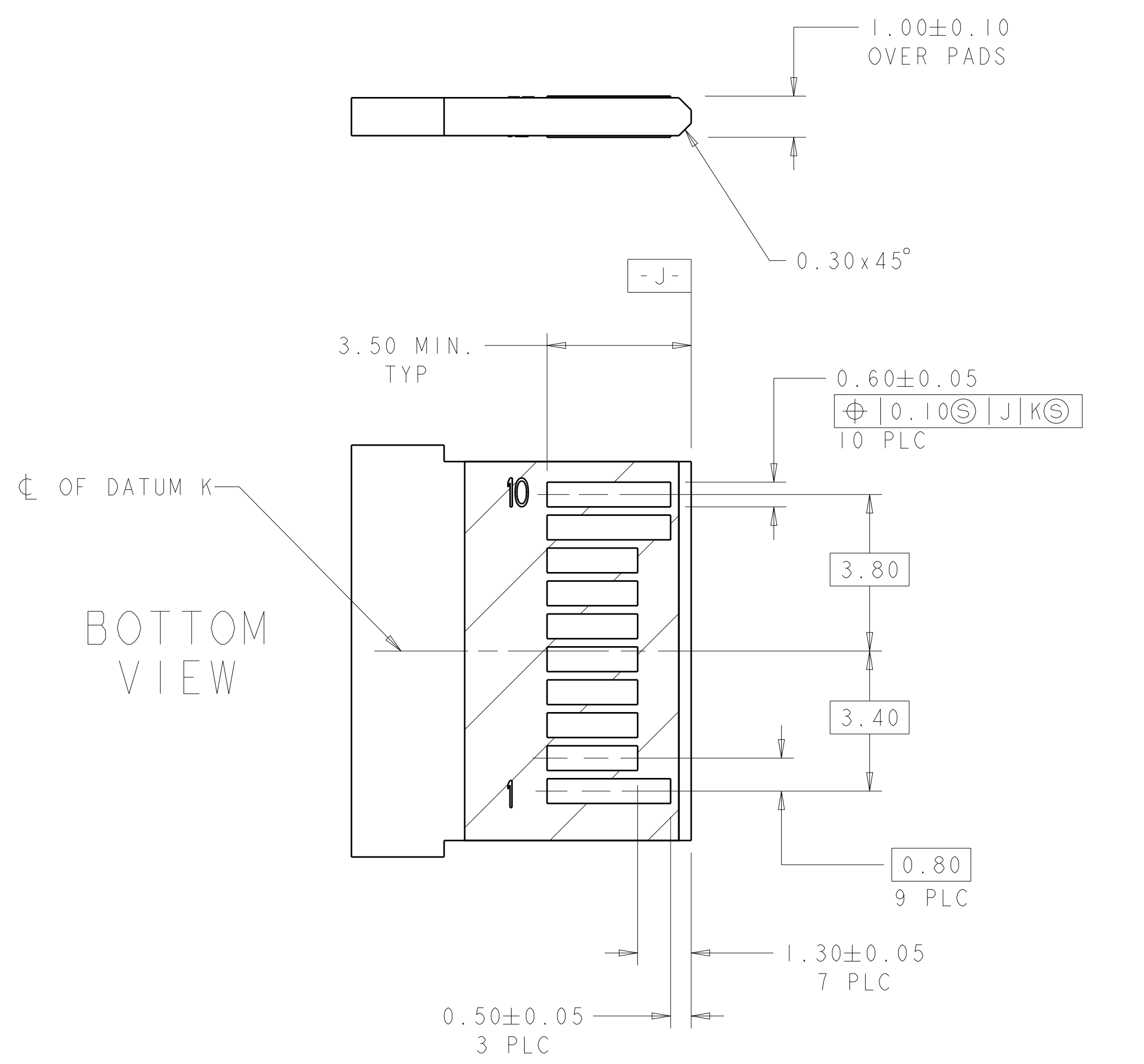
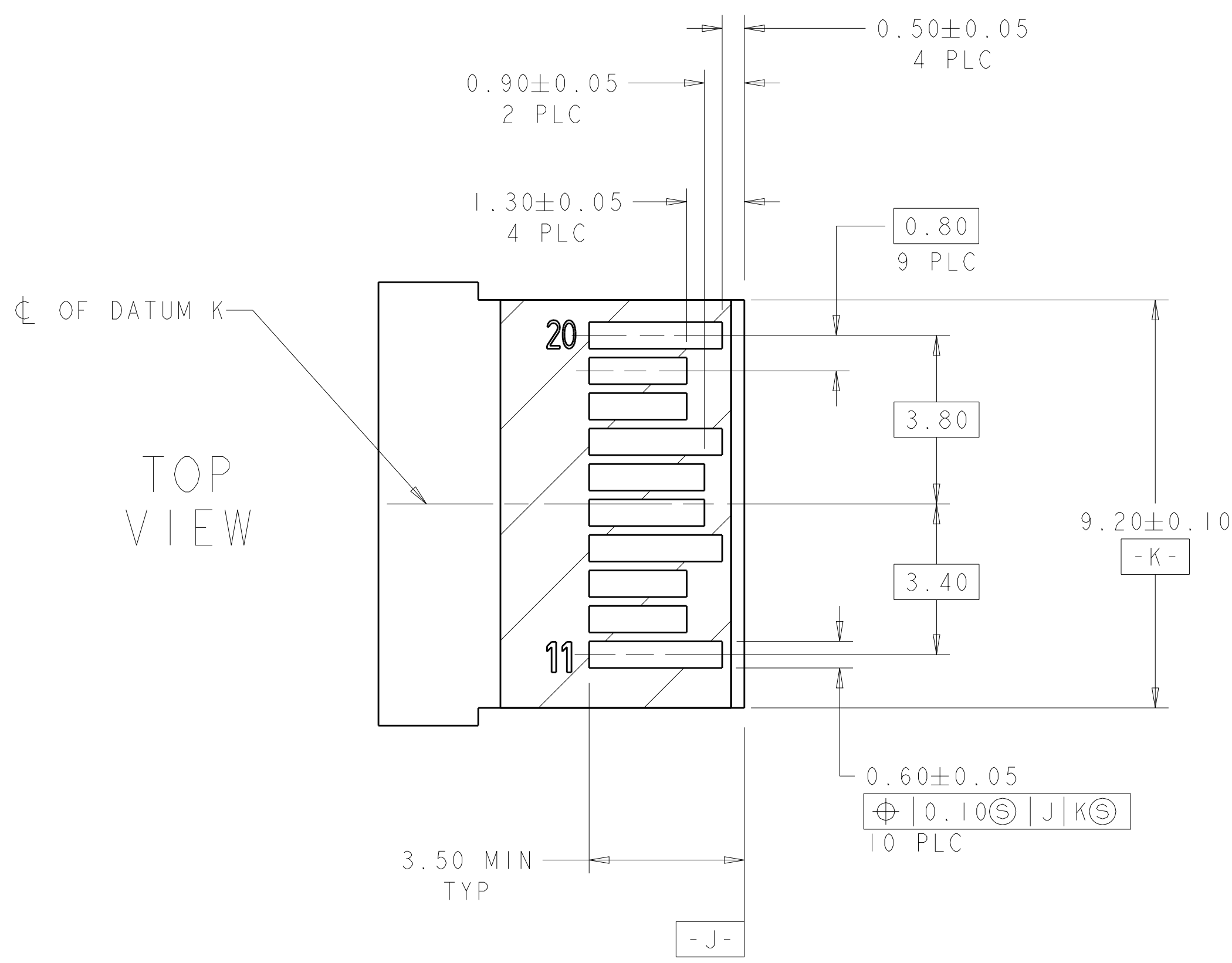
THIS DRAWING IS A CONTROLLED DOCUMENT.

DIMENSIONS:	TOLERANCES UNLESS OTHERWISE SPECIFIED:	DWN P. KERLIN 01MAR2000	CHK E. BRIGHT 01MAR2000	APVD E. BRIGHT 01MAR2000	NAME PT CONNECTOR ASSEMBLY, 20 POSITION, SFP, RTANG, 0.8MM
mm	0 PLC ± 1 PLC ±0.10 2 PLC ± 3 PLC ± 4 PLC ±	PRODUCT SPEC 108-1949	APPLICATION SPEC 114-13017	SIZE A1	CAGE CODE 100779
MATERIAL	FINISH	WEIGHT	RESTRICTED TO	SCALE 12:1	SHEET 1 OF 2
SEE TABLE	Customer Drawing				REV L

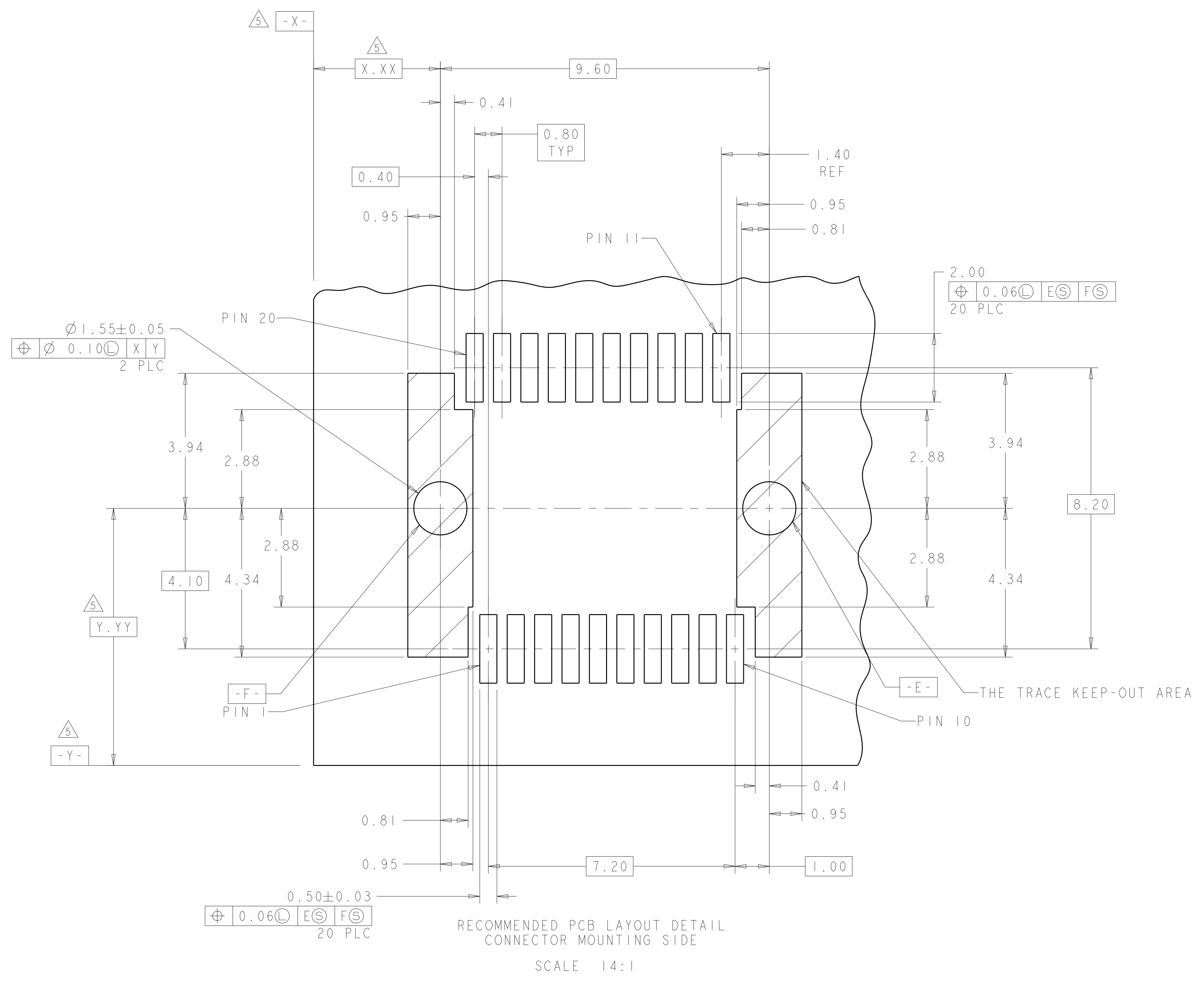
STE TE Connectivity

LOC	DIST	REV	DATE	BY	APPV
ES	00				

REVISIONS					
REV	DATE	BY	APPV	DESCRIPTION	
-	-	-	-	SEE SHEET 1	



RECOMMENDED LAYOUT DETAIL
MATING TRANSCEIVER PCB
SCALE 10:1



RECOMMENDED PCB LAYOUT DETAIL
CONNECTOR MOUNTING SIDE
SCALE 14:1

THIS DRAWING IS A CONTROLLED DOCUMENT.		OWN P. KERLIN 01MAR2000	TE Connectivity
DIMENSIONS: mm		CHK E. BRIGHT 01MAR2000	
TOLERANCES UNLESS OTHERWISE SPECIFIED:		APPV F. BRIGHT 01MAR2000	NAME PT CONNECTOR ASSEMBLY, 20 POSITION, SFP, RTANG, 0.8MM
0 PLC ±	1 PLC ±0.10	PRODUCT SPEC 108-1949	APPLICATION SPEC
2 PLC ±	3 PLC ±	114-13017	WEIGHT
4 PLC ±	ANGLES ±		Customer Drawing
MATERIAL	FINISH		SCALE 12:1 SHEET 2 OF 2 REV L