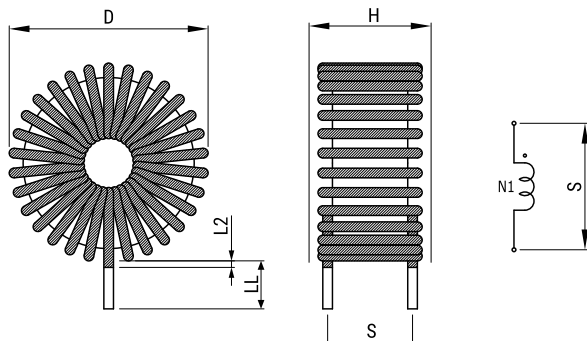


**KEMET Part Number: SN12-400**  
(UALSN124000000)

KEMET, SN, AC Line Filters, Normal Mode, 64 uH, MIN



Dimensions	
D	25mm MAX
H	12mm MAX
LL	20mm +/-2mm
S	11mm NOM
L2	1.5mm MAX

Packaging Specifications	
Packaging:	Tray
Packaging Quantity:	350
Weight:	15.8 g

General Information	
Series:	SN
Style:	Through-Hole
Features:	Compact Size
RoHS:	Yes
Miscellaneous:	32 (K) Temperature Rise Max.

Specifications	
Inductance:	64 uH (0.1 MHz)
Inductance Tolerance:	MIN
Current:	5 A
Temperature Range:	-25/+105°C
DC Resistance:	32 mOhms

Statements of suitability for certain applications are based on our knowledge of typical operating conditions for such applications, but are not intended to constitute - and we specifically disclaim - any warranty concerning suitability for a specific customer application or use. This Information is intended for use only by customers who have the requisite experience and capability to determine the correct products for their application. Any technical advice inferred from this Information or otherwise provided by us with reference to the use of our products is given gratis, and we assume no obligation or liability for the advice given or results obtained.