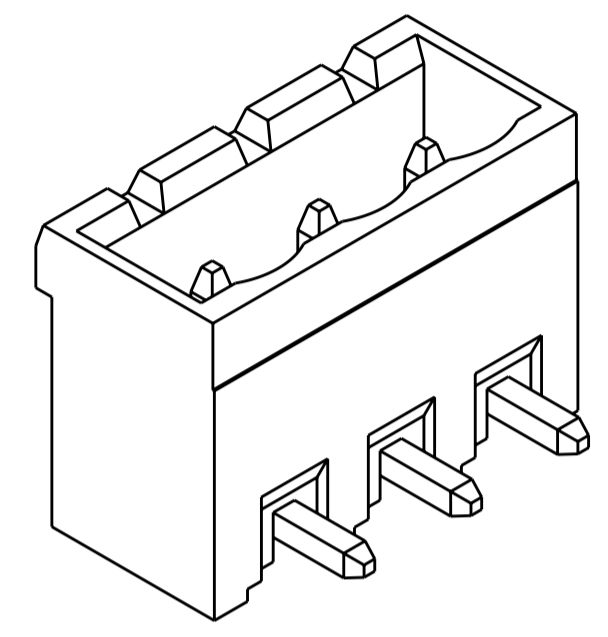
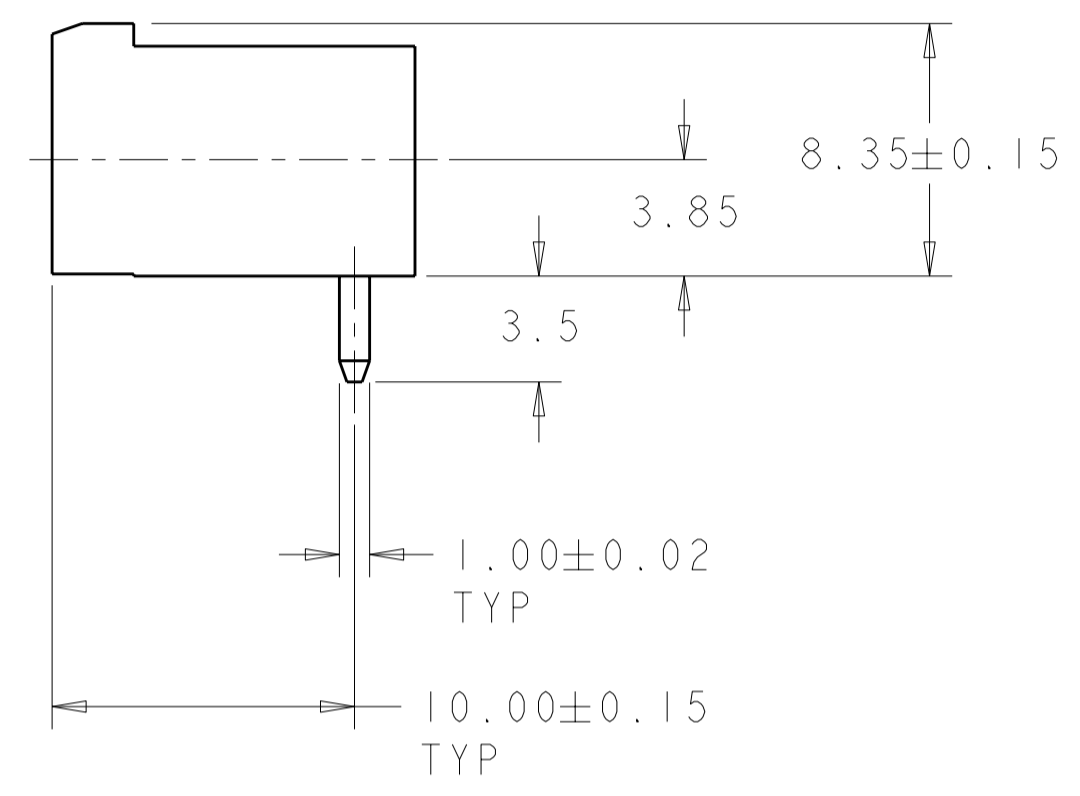
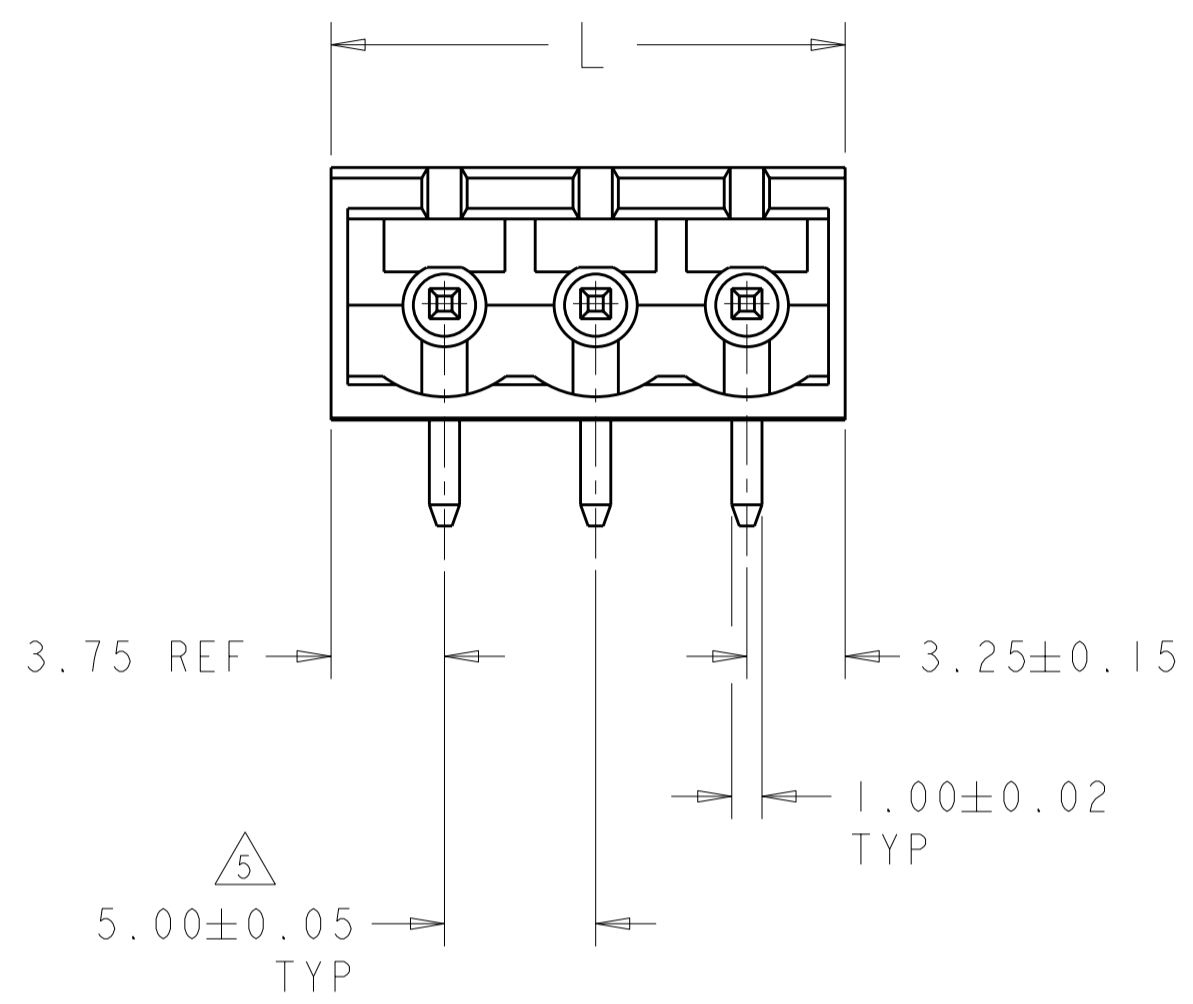
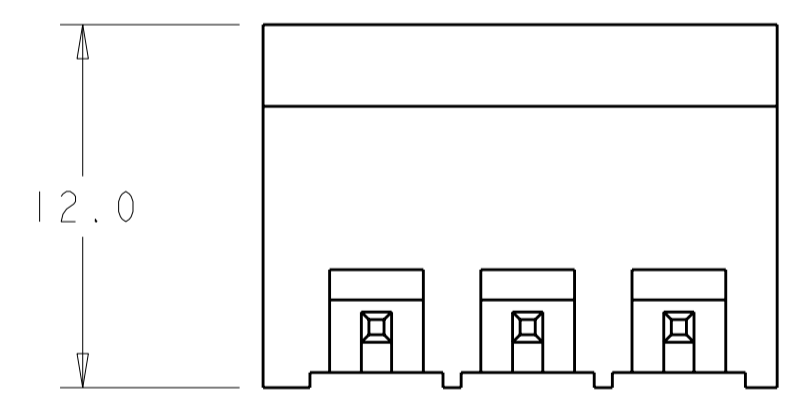


THIS DRAWING IS UNPUBLISHED. RELEASED FOR PUBLICATION 20
 © COPYRIGHT 20 Tyco Electronics AMP GmbH ALL RIGHTS RESERVED.

| LOC | DIST | REVISIONS | | | |
|-----|------|-------------|---------------------------|-----------|-------|
| P | LTR | DESCRIPTION | DATE | DWN | APVD |
| FT | 0 | AI | REVISED PER ECO-12-007964 | 02MAY2012 | KH MS |

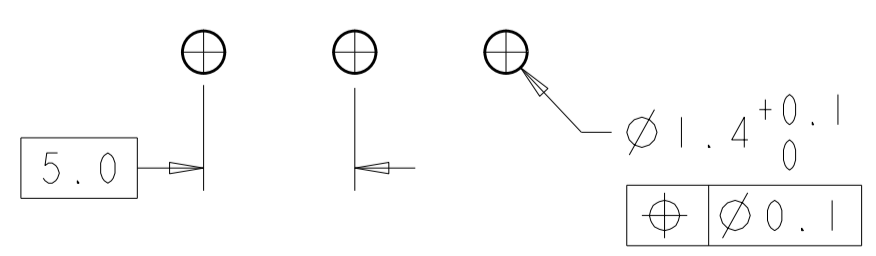


1546209-3 AS SHOWN



- 1. MATERIALS AND FINISH:
 HOUSING: PA 6-6, UL 94-V0, COLOR: GRAY.
 TERMINAL: COPPER ALLOY, TIN PLATED.
- 2. SUITABLE FOR 1,6-2, 4mm PC BOARD THICKNESS.
- 3. RECOGNIZED UNDER THE COMPONENT PROGRAM OF UNDERWRITERS LABORATORIES INC. FILE N° E60677.
- 4. IMQ CERTIFICATE WITH SURVEILLANCE IN CONFORMITY WITH IEC 998-1/998-2-1.
- 5. NOT CUMULATIVE TOLERANCE

| 127.0 | 25 | 2-1546209-5 |
|-------|------------|-------------|
| 122.0 | 24 | 2-1546209-4 |
| 117.0 | 23 | 2-1546209-3 |
| 112.0 | 22 | 2-1546209-2 |
| 107.0 | 21 | 2-1546209-1 |
| 102.0 | 20 | 2-1546209-0 |
| 97.5 | 19 | 1-1546209-9 |
| 92.0 | 18 | 1-1546209-8 |
| 87.0 | 17 | 1-1546209-7 |
| 82.0 | 16 | 1-1546209-6 |
| 77.0 | 15 | 1-1546209-5 |
| 72.0 | 14 | 1-1546209-4 |
| 67.0 | 13 | 1-1546209-3 |
| 62.0 | 12 | 1-1546209-2 |
| 57.0 | 11 | 1-1546209-1 |
| 52.0 | 10 | 1-1546209-0 |
| 47.0 | 9 | 1546209-9 |
| 42.0 | 8 | 1546209-8 |
| 37.0 | 7 | 1546209-7 |
| 32.0 | 6 | 1546209-6 |
| 27.0 | 5 | 1546209-5 |
| 22.0 | 4 | 1546209-4 |
| 17.0 | 3 | 1546209-3 |
| 12.0 | 2 | 1546209-2 |
| DIM L | NO OF POSN | PART NUMBER |



RECOMMENDED PC BOARD LAYOUT

| | | | | |
|--|--|--------------------------|--|---------------|
| THIS DRAWING IS A CONTROLLED DOCUMENT. | | DWN S.WELDON 27FEB2004 | TE Connectivity | |
| DIMENSIONS: mm | | CHK C.RICHARD 27FEB2004 | | |
| TOLERANCES UNLESS OTHERWISE SPECIFIED: | | APVD C.RICHARD 27FEB2004 | NAME | |
| 0 PLC ±- | | PRODUCT SPEC | TERMINAL BLOCK HEADER ASSEMBLY, 90 DEGREE, CLOSED ENDS, 5.00mm PITCH | |
| 1 PLC ±0.2 | | APPLICATION SPEC | SIZE | RESTRICTED TO |
| 2 PLC ±0.25 | | WEIGHT | A200779 | |
| 3 PLC ±- | | CUSTOMER DRAWING | CAGE CODE | DRAWING NO |
| 4 PLC ±- | | | 1546209 | |
| ANGLES ±- | | | SCALE 4:1 | SHEET 1 OF 1 |
| FINISH | | | REV AI | |