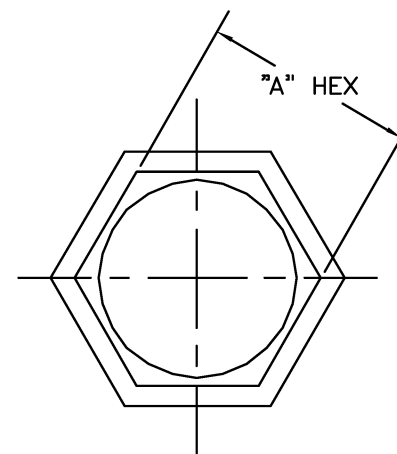
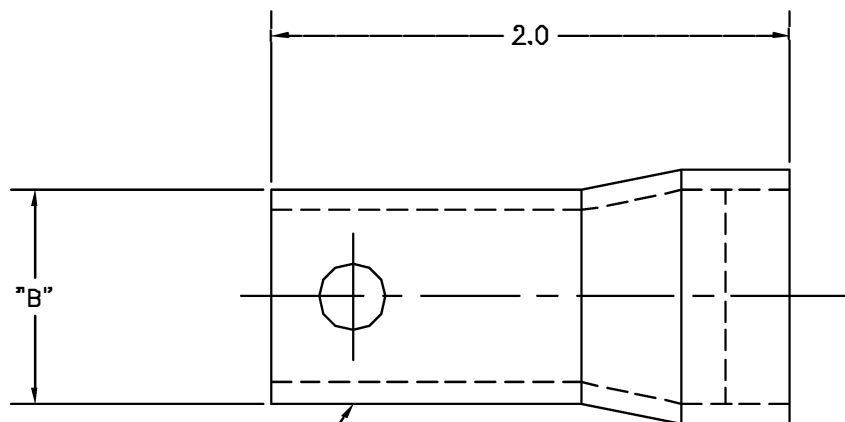



**UNCONTROLLED DOCUMENT
WILL NOT BE UPDATED**

REVISIONS				
REV. SYN.	E.C.G. NUMBER	DESCRIPTION	BY DATE	APP'D DATE
1		ORIGINAL RELEASE	JWJ 1/3/01	RRR 1/3/01



"DANIELS"
"USA"
"CSXX"

PART NO.	"A" HEX NOM.	"B"
CS32	2 5/8	Ø2.75
CS24-1	2 1/8	Ø2.25
CS22-1	2	Ø2.12
CS24	1 13/16	Ø2.00
CS22	1 11/16	Ø1.87
CS20	1 9/16	Ø1.75
CS18	1 7/16	Ø1.62
CS16	1 5/16	Ø1.50
CS14	1 3/16	Ø1.37
CS12	1 1/16	Ø1.25
CS10	7/8	Ø1.06
CS8	3/4	Ø0.93

<p>RESTRICTED & CONFIDENTIAL</p> <p>CONFIDENTIAL PROPERTY OF DANIELS MANUFACTURING CORP. NOT TO BE DISCLOSED TO OTHERS, REPRODUCED OR USED FOR ANY OTHER PURPOSE, EXCEPT AS AUTHORIZED IN WRITING BY DANIELS MANUFACTURING. MUST BE RETURNED TO DANIELS MANUFACTURING CORP. ON COMPLETION OF ORDER OR OTHER PURPOSE FOR WHICH LENT.</p>	MATERIAL	ITEM	PART NO.	QTY.	DESCRIPTION/REMARKS	
	HEAT TREAT	DRN	J. JOYCE	DATE	1/3/01	 DANIELS MANUFACTURING CORP. ORLANDO, FLORIDA CAGE 11851
		APPD.	RRR	DATE	1/3/01	
	FINISH	APPD.		DATE		TITLE
DO NOT SCALE DRAWING				JAM NUT WRENCH ENVELOPE DRAWING		
WHERE USED:		SIZE	SCALE	CAD P/N	SHEET OF	
		B	NTS	CSXX-ENV	1 1	
		POSTING	P/N	CSXX-ENV	REV.	
		TDE			1	