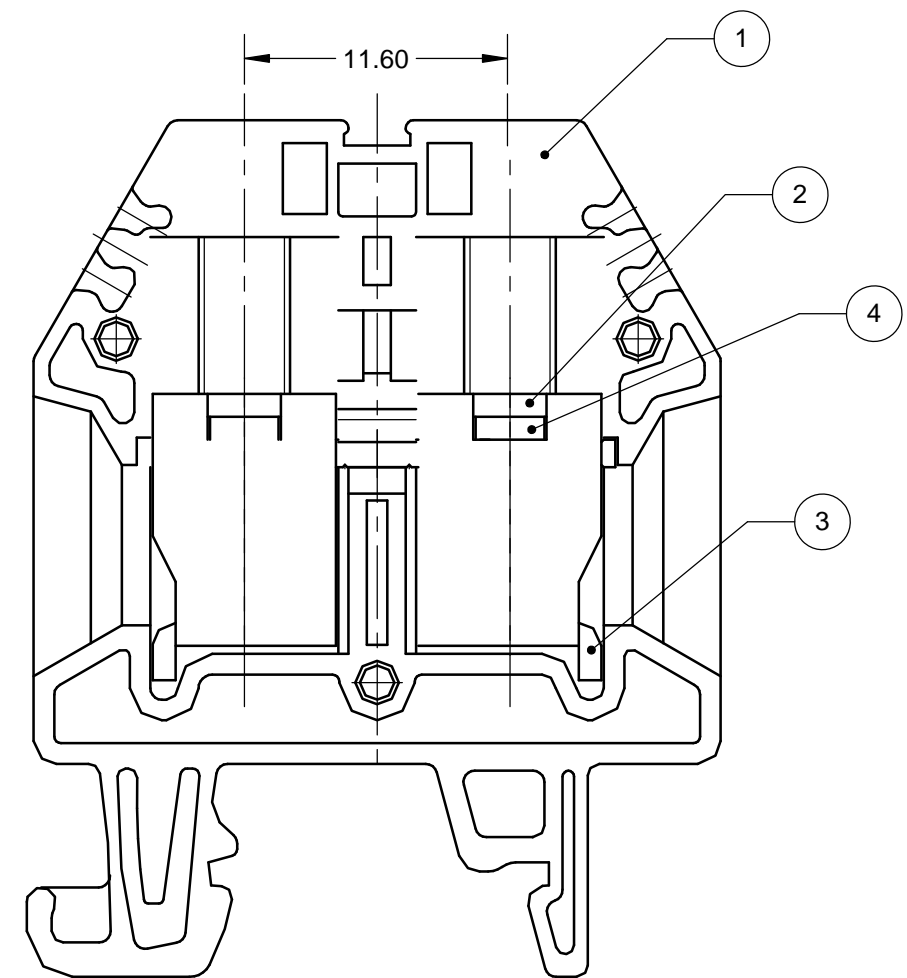
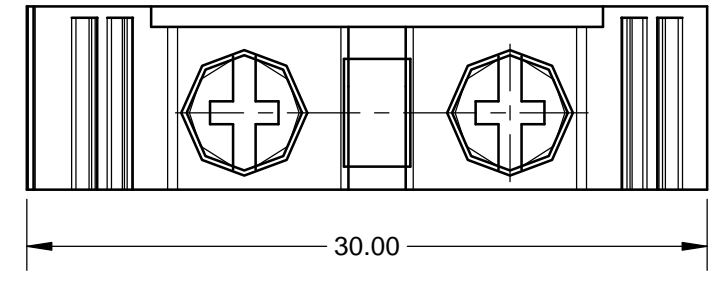
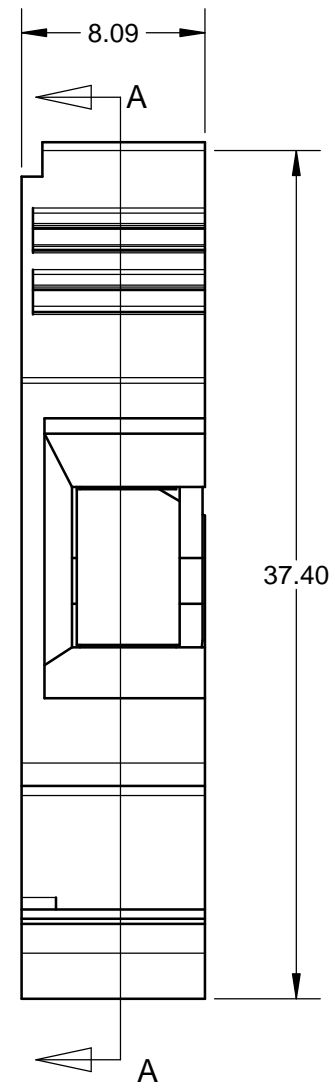
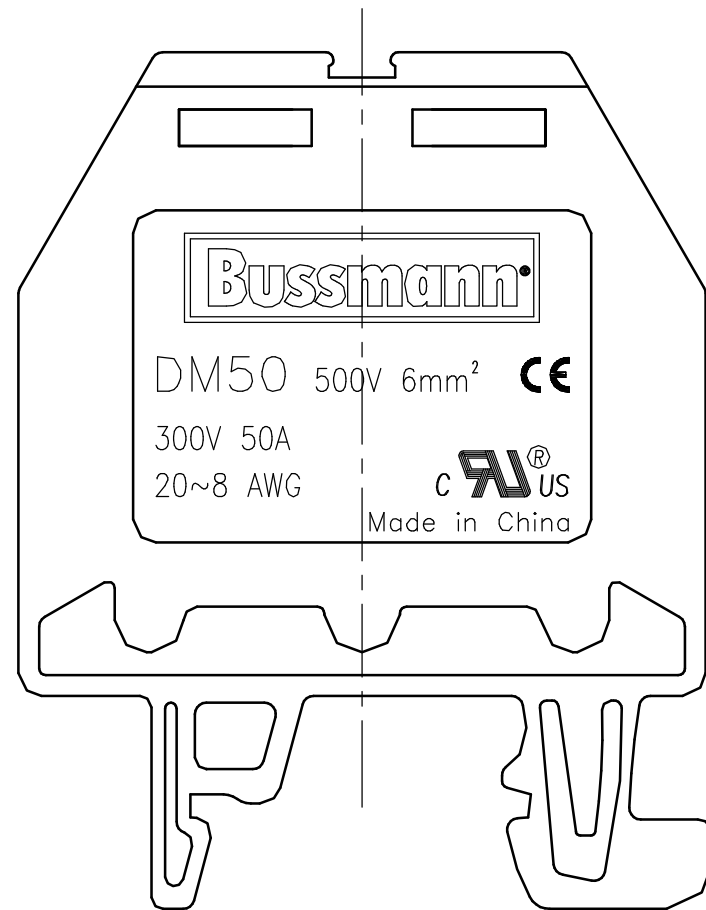


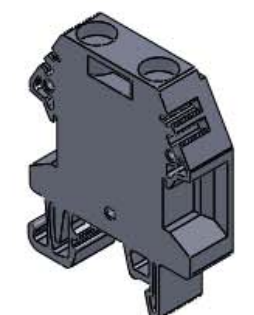
ITEM NO.	NAME	MATERIAL	NOTES
1	HOUSING	PA66	UL94-V0
2	SCREW	STEEL	M4/ZN PLATED
3	WIRE CONNECTOR	STEEL	M4/ZN PLATED
4	CONDUCTOR	COPPER ALLOY	TIN PLATED

PART NO.	COLOR	PANTONE #
DM50-GY	GREY	COOL GRAY2U
DM50-BU	BLUE	300U
DM50-LK	BLACK	BLACK

F  
E  
D  
C  
B  
A



SECTION A-A



3D VIEW  
SCALE NONE

- NOTES:
- RATINGS: UL 300V/50A, IEC 500V/41A  
INSULATION WITHSTAND VOLTAGE 2000VAC/1MINUTE  
TEMPERATURE RANGE -40°C~105°C
  - SEE 2A2943 FOR DIN DIMENSION DETAILS
  - SCREW TORQUE 1.2N·M (10.4IN·LB)
  - WIRE RANGE UL 20~8AWG, IEC 0.5~6 mm<sup>2</sup>
  - ASSEMBLY MUST BE FREE OF OIL, GREASE AND OTHER FOREIGN MATERIALS.
  - ASSEMBLY MUST COMPLY WITH RoHS SPECIFICATION #1P2163.

REV		ZONE	DESCRIPTION	DATE	ECN	BY
A		-	INITIAL RELEASE	09/24/2012	BU-J12374	TJN

MODEL SOURCE DATA --	MODEL VERSION --	GENERAL DRAWING PRACTICES IN ACCORDANCE WITH ASME - Y14.100-2004 DIMENSIONS AND TOLERANCES IN ACCORDANCE WITH ASME - Y14.5M-1994	APPROVALS ENGINEER: TJN DRAWN: TJN MANUFACTURING ENGINEER: --	DATE 09/26/2012 09/26/2012 --/--/----	
CONFIDENTIAL. THE INFORMATION CONTAINED IN THIS DOCUMENT IS THE PROPERTY OF COOPER INDUSTRIES, INC. IT IS NOT FOR PUBLIC DISCLOSURE. POSSESSION OF THE INFORMATION DOES NOT CONVEY ANY RIGHT TO LOAN, SELL, OR DISCLOSE THE INFORMATION. UNAUTHORIZED REPRODUCTION OR USE OF THE INFORMATION IS PROHIBITED. THIS DOCUMENT IS TO BE RETURNED TO COOPER INDUSTRIES, INC. UPON COMPLETION OF THE PURPOSE FOR WHICH IT WAS LOANED OR UPON REQUEST.		UNLESS OTHERWISE SPECIFIED DIMENSIONS ARE IN MILLIMETERS TOLERANCES TO BE ONE PLACE X.X = ±0.3mm TWO PLACE X.X X = ±0.13mm ALL ANGLES X.X = ±1°	MATERIAL SEE TABLE FINISH SEE TABLE		
COPYRIGHT. COOPER INDUSTRIES, INC. THIS IS AN UNPUBLISHED WORK. THE DISCLOSURE OF THIS WORK IS LIMITED TO SELECT PERSONNEL. FURTHER DISSEMINATION OR DISCLOSURE TO THE PUBLIC IS PROHIBITED. THIS UNPUBLISHED WORK IS PROTECTED BY FEDERAL COPYRIGHT LAW AND ALL RIGHTS THEREUNDER ARE RESERVED BY COOPER INDUSTRIES, INC.		SPECIAL CHARACTERISTIC $\diamond (0)$ SIGNIFICANT CHARACTERISTIC $\triangle (0)$	TITLE <b>FEED THROUGH TERMINAL BLOCK</b> SIZE DWG NO. <b>A3 DM50-XX</b> REV <b>A</b> SCALE: 3:1 SHEET 1 OF 1		

A