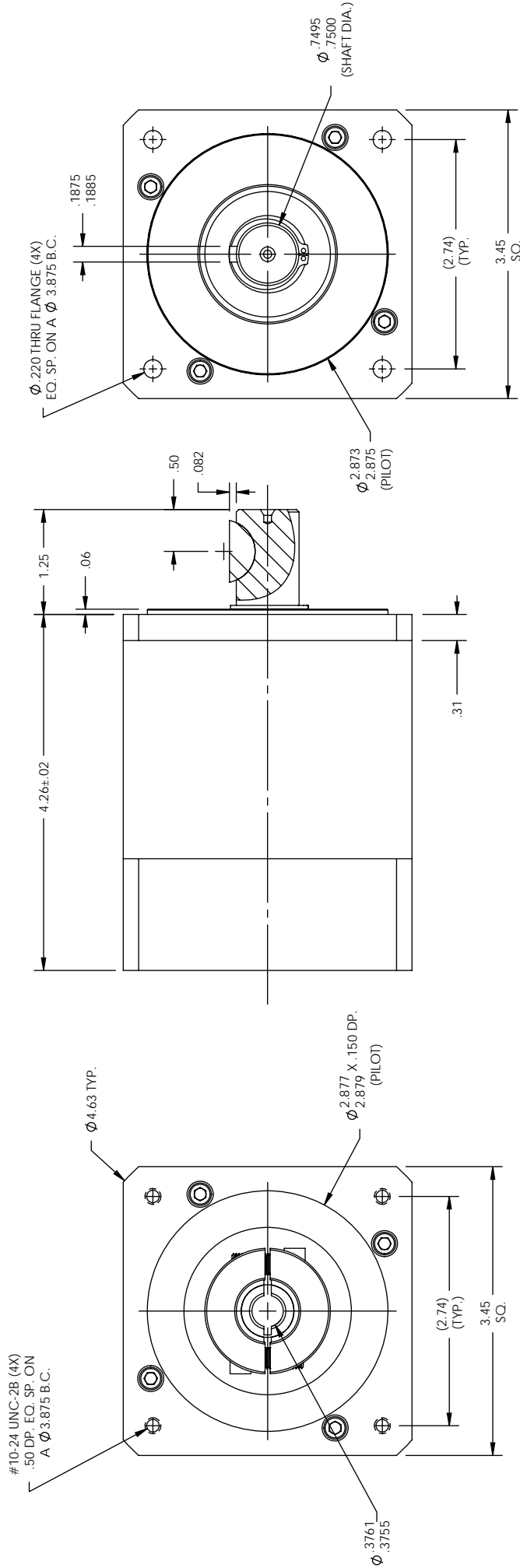


REVISIONS

REV	DESCRIPTION	DATE	APPROVED
A	INITIAL RELEASE ECO 6781	7/2/2013	J KORDIK



NOTES: UNLESS OTHERWISE SPECIFIED

- 1 #606 WOODRUFF KEY
- 2. RATIO: 15:1
- 3. FOR TECHNICAL DETAILS, CONTACT APPLIED MOTION PRODUCTS.

TOLERANCES		THIRD ANGLE PROJECTION	
DECIMALS: [MM] INCH X.XXX = ± .005 X.XX = ± [0.13] .010 X.X = ± [0.25] .020			
ANGLES: MACH. = ± 5° CHAM. = ± 5°		APPROVALS	DATE
COMPUTER DATA BASE DRAWING		<i>R. JONES</i>	8/22/13
		DRAWN	CHECKED
		APPROVED	

GEAR HEAD - DRAWING	
REV	A
DWG NO.	034VL015
SCALE:	FULL
SHEET 1 OF 1	