

**ebm-papst St. Georgen GmbH & Co. KG**

Hermann-Papst-Str. 1

D-78112 St. Georgen

Phone +49 (0) 7724 81-0

Fax +49 (0) 7724 81-1309

info2@de.ebmpapst.com

www.ebmpapst.com

Nominal data

Type	RER 125-19/56	
Phase		1~
Nominal voltage	VAC	230
Frequency	Hz	50
Speed	min ⁻¹	2600
Power input	W	19.0
Min. ambient temperature	°C	-30
Max. ambient temperature	°C	60
Air flow	m ³ /h	104
Sound power level	B	6.2

ml = max. load · me = max. efficiency · fa = running at free air · cs = customer specs · cu = customer unit
Subject to alterations

AC centrifugal compact fan

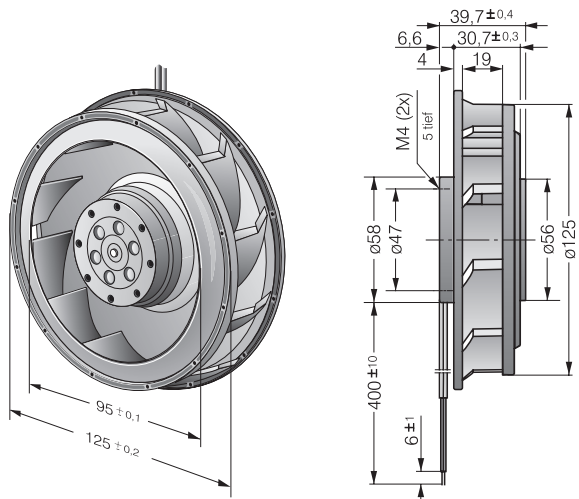
single inlet

Technical features

Mass	0.500 kg
Dimensions	138 Ø x 40 mm
Material of impeller	Fiberglass-reinforced plastic reinforced with sheet steel.
Direction of air flow	Centrifugal
Direction of rotation	Right, looking at rotor
Bearing	Ball bearings
Lifetime L10 at 40 °C	37500 h
Lifetime L10 at maximum temperature	22500 h
Connection line	2 single strands AWG 22
Motor protection	Protected from overload using impedance protection
Approval	VDE, CSA, UL, CE



Product drawing



Charts

