

4

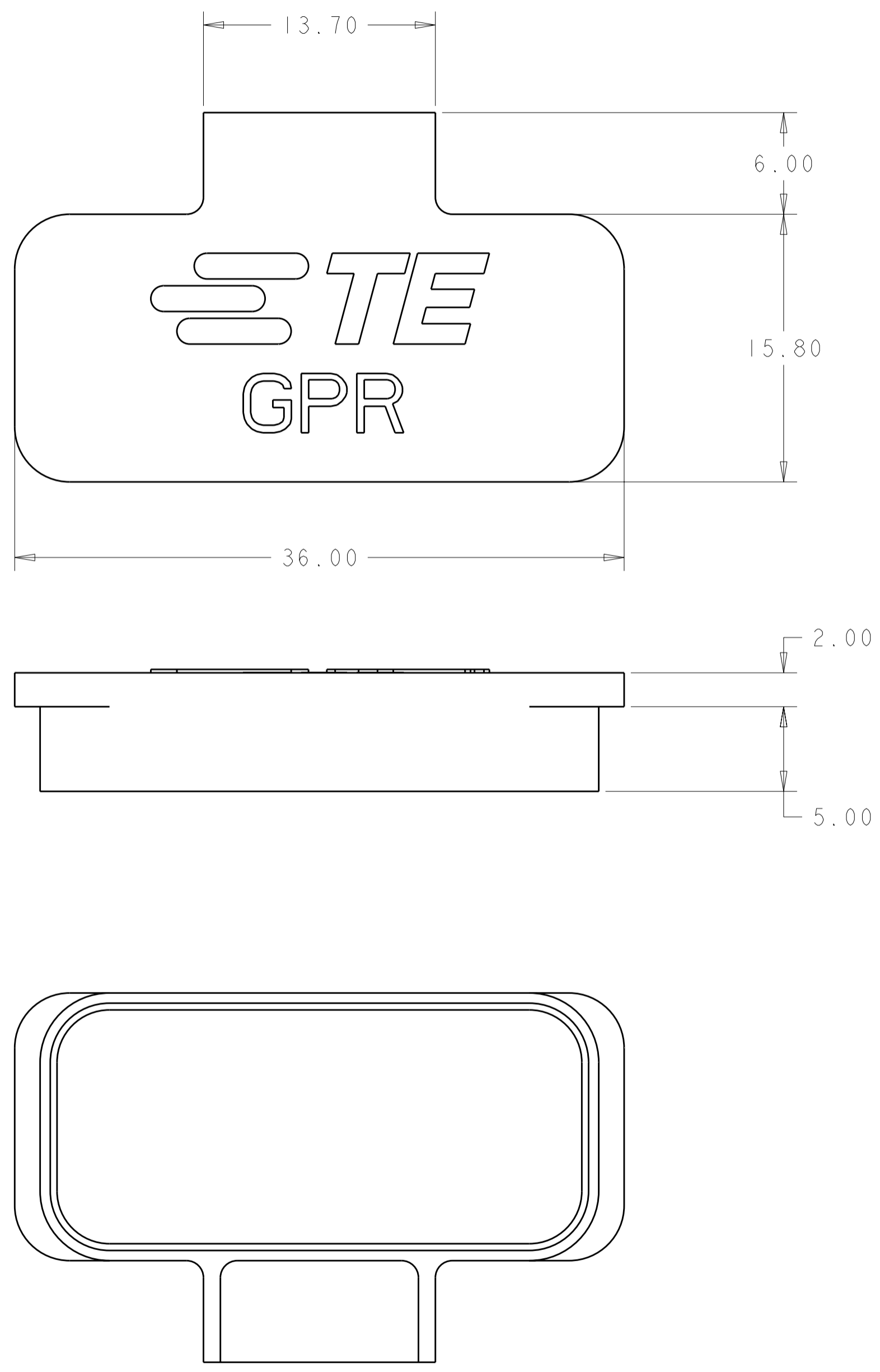
3

2

1

THIS DRAWING IS UNPUBLISHED. RELEASED FOR PUBLICATION  
 © COPYRIGHT BY ALL RIGHTS RESERVED.

LOC		DIST		REVISIONS			
P	LTR	DESCRIPTION	DATE	DWN	APVD		
	3	REV PER ECO 11-014334	8-4-11	CT	KH		



- 1. THERMOPLASTIC ELASTOMER, COLOR: RED
- 2. THIS PRODUCT IS SOLD BY TE CONNECTIVITY UNDER A LICENSE FROM RADIAL SA.

1738213-1  
 PART NUMBER

THIS DRAWING IS A CONTROLLED DOCUMENT.		DWN R FLAIG 23NOV2009	<b>STE</b> TE Connectivity	
DIMENSIONS: mm		CHK J MOSLER 23NOV2009		
TOLERANCES UNLESS OTHERWISE SPECIFIED:		APVD J MOSLER 23NOV2009	NAME	
0 PLC ±		PRODUCT SPEC	PROTECTIVE CAP, PLUG, GPRB1	
1 PLC ±		APPLICATION SPEC	-	
2 PLC ±0.25		WEIGHT	SIZE A200779	CAGE CODE C-1738213
3 PLC ±		RESTRICTED TO	-	
4 PLC ±		CUSTOMER DRAWING	SCALE 4:1	SHEET 1 OF 1
ANGLES ±				REV 3
FINISH				