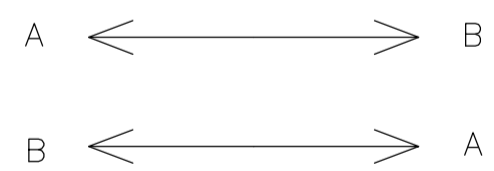
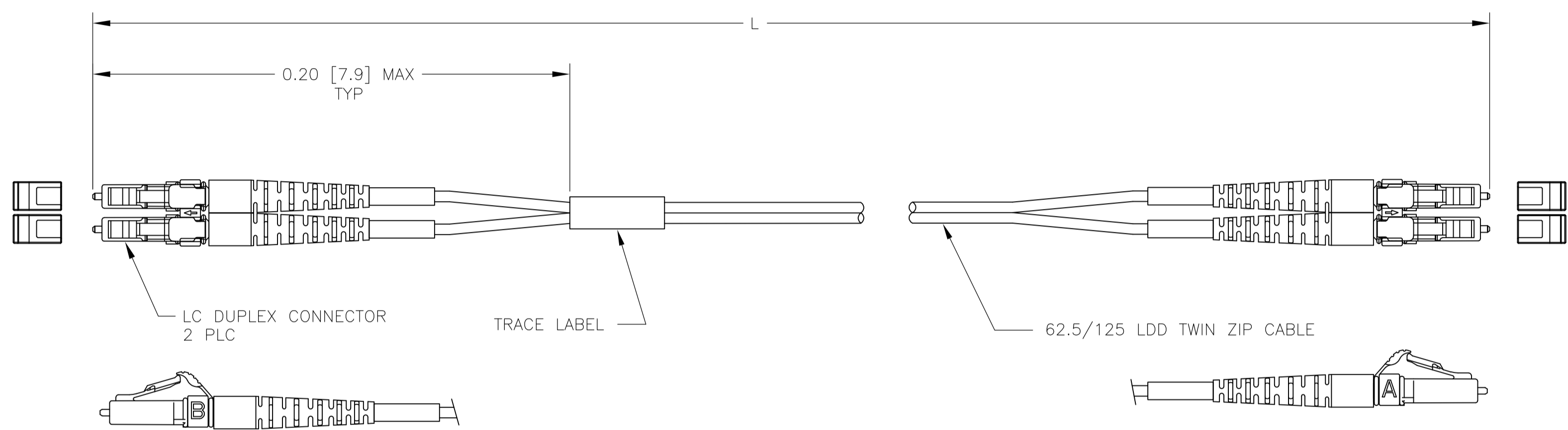


THIS DRAWING IS UNPUBLISHED. RELEASED FOR PUBLICATION
 © COPYRIGHT - By - ALL RIGHTS RESERVED.

LOC		DIST		REVISIONS			
P	LTR	DESCRIPTION		DATE	DWN	APVD	
CE	16	E	ECR-14-019320	02MAR2015	BB	JO	

- 1. MAXIMUM INSERTION LOSS IS 0.2 dB PLUS CABLE ATTENUATION OF 1.5 dB/km AT 1300nm. (SEE TABLE)
- 2. DIMENSIONS IN [] ARE IN INCHES.
- 3. PRODUCT AND PROCESSING MUST MEET REQUIREMENTS OF TEC-138-702



0.20	3.50±0.05	[137.8±2.0]	9-6374659-3
0.28	50.00±0.50	[1968.50±19.68]	5-6374659-0
0.65	300.00±3.00	[11811.0±118.0]	9-6374659-9
0.35	100.00±1.00	[3937.0±39.0]	9-6374659-8
0.20	0.50±0.03	[19.68±1.18]	9-6374659-7
0.25	36.00±0.36	[1417.3±14.2]	9-6374659-2
0.24	27.00±0.30	[1063.0±12.0]	9-6374659-1
0.25	30.00±0.30	[1181.1±12.0]	3-6374659-0
0.24	25.00±0.30	[984.0±12.0]	2-6374659-5
0.23	20.00±0.30	[787.0±12.0]	2-6374659-0
0.22	15.00±0.15	[590.6±6.0]	1-6374659-5
0.22	12.00±0.15	[472.4±6.0]	1-6374659-2
0.21	10.00±0.15	[393.7±6.0]	1-6374659-0
0.21	8.00±0.15	[315.0±6.0]	6374659-8
0.31	76.2±0.76	[3000.0±30.0]	6374659-7
0.20	1.50±0.05	[59.5±2.0]	6374659-6
0.20	5.00±0.08	[196.9±3.0]	6374659-5
0.20	3.00±0.05	[118.1±2.0]	6374659-3
0.20	2.00±0.05	[78.7±2.0]	6374659-2
0.20	1.00±0.05	[39.4±2.0]	6374659-1
1 MAX IL (dB)	L		PART NUMBER

THIS DRAWING IS A CONTROLLED DOCUMENT.		DWN C.S.VASU 22AUG05	STE TE Connectivity	
DIMENSIONS: METERS [INCHES]		CHK J.DUNCAN 22AUG05		
TOLERANCES UNLESS OTHERWISE SPECIFIED:		APVD J.DUNCAN 22AUG05	NAME CABLE ASSY, FIBER OPTIC, 62.5/125um LDD ZIP, LC DUPLEX	
0 PLC ± -		PRODUCT SPEC	APPLICATION SPEC	
1 PLC ± -			WEIGHT	
2 PLC ± -			SIZE A2 CAGE CODE 00779	
3 PLC ± -			DRAWING NO 6374659	
4 PLC ± -			RESTRICTED TO	
ANGLES ± -			SCALE NTS SHEET 1 of 1 REV E	
FINISH			CUSTOMER DRAWING	