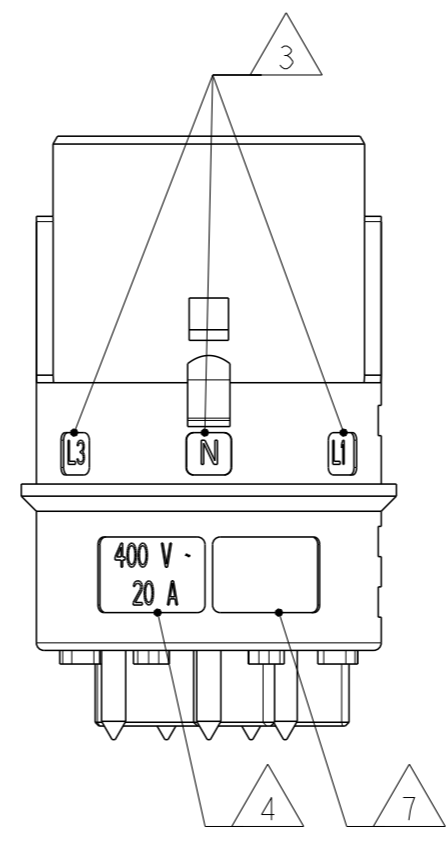
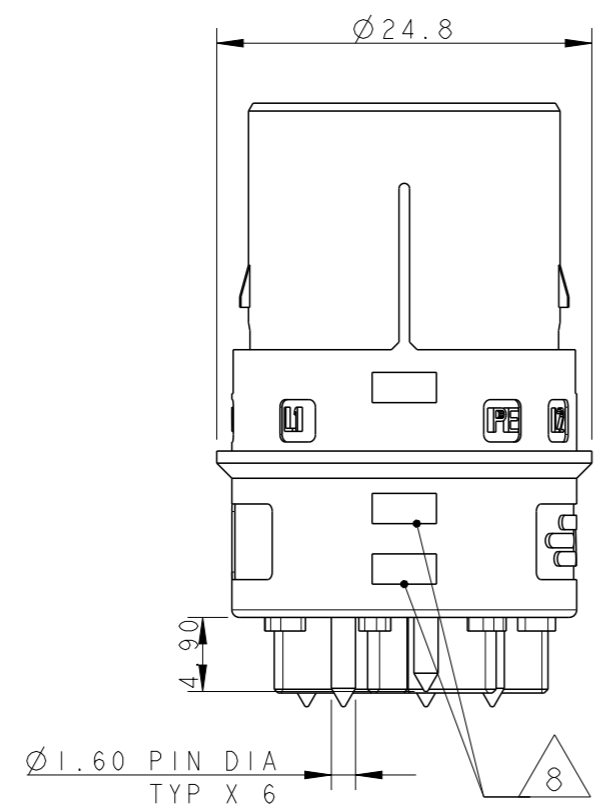
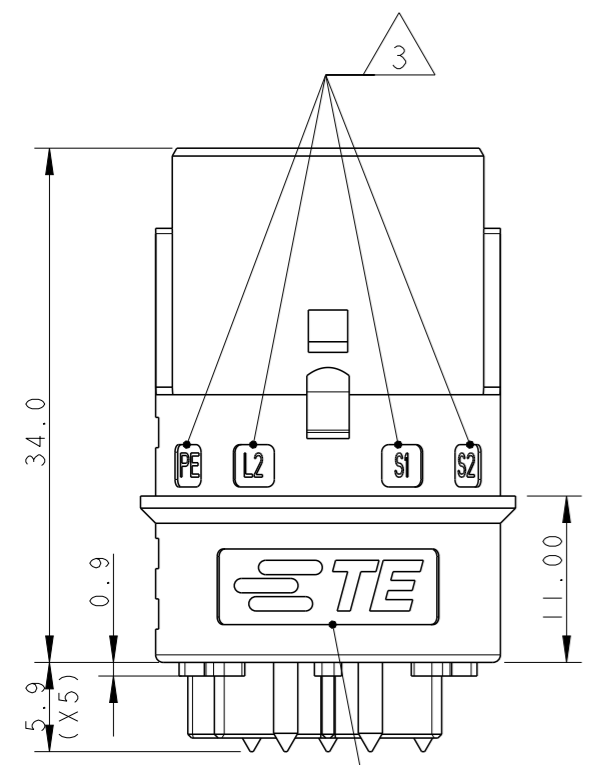
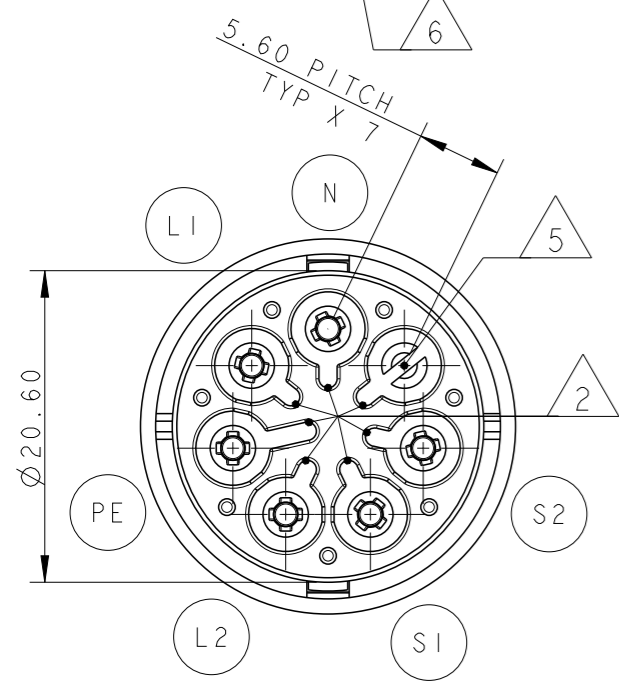


THIS DRAWING IS UNPUBLISHED. RELEASED FOR PUBLICATION 2011  
 © COPYRIGHT 2011 BY - ALL RIGHTS RESERVED.

LOC	DIST	REVISIONS			
P	LTR	DESCRIPTION	DATE	DWN	APVD
1	-				
	5	UPDATED	23JUL2013	MZ	JC
	A	PARTS RELEASED FOR PRODUCTION	14NOV2013	KR	JC



- NOTES:
- 1 MATERIAL: PA GF (NATURAL)  
- HOUSING: PA GF  
- CONTACTS: BRASS TIN PLATED
  - 2 ALL POLARIZATION KEYS SHOWN FOR REF ONLY
  - 3 WAYS I.D.
  - 4 VOLTAGE AND CURRENT RATINGS
  - 5 RIB CLOSING CAVITY BY CHANGE OVER
  - 6 TE LOGO
  - 7 AREA FOR AGENCIES APPROVAL LOGO
  - 8 VISUAL INDICATOR FOR PE CONDUCTOR



**PCB CUT-OUT AND HOLES DIMENSIONS (±0.03)**

SCALE 1:1

**TOP VIEW**

**BOTTOM VIEW**

PIN HOLES CENTER PLACED ALONG VERTEX OF HEPTAGON FIGURE INSCRIBED INTO CIRCLE 12.91MM DIA.

Ø 12.91

Ø 1.80 TYP X 5

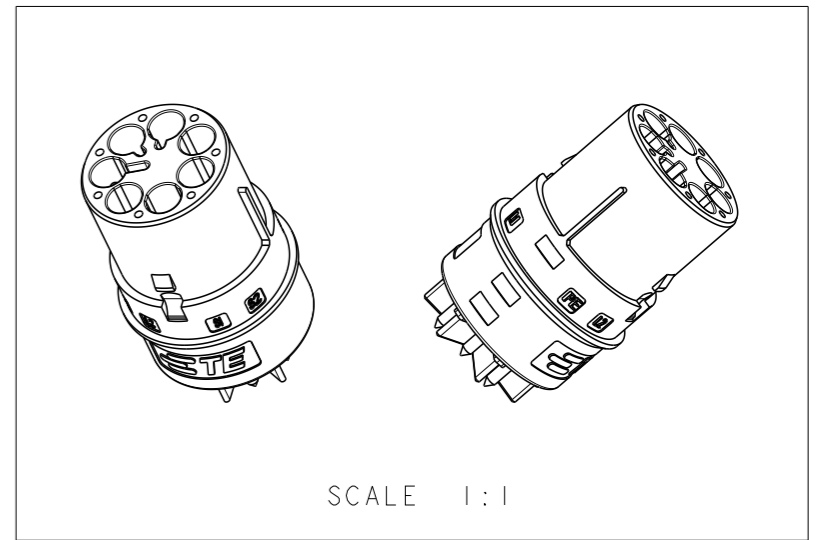
9.60 TYP X 5

R1.25

5.60 TYP X 5

1.00 TYP X 5

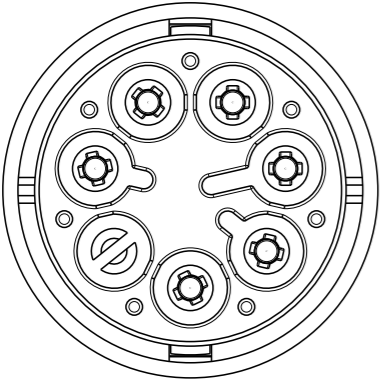
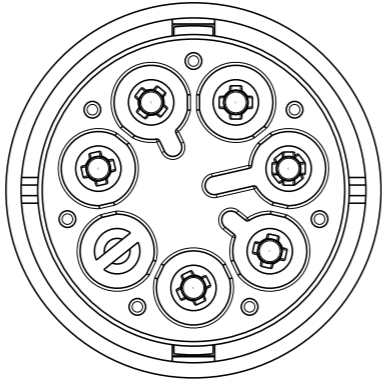
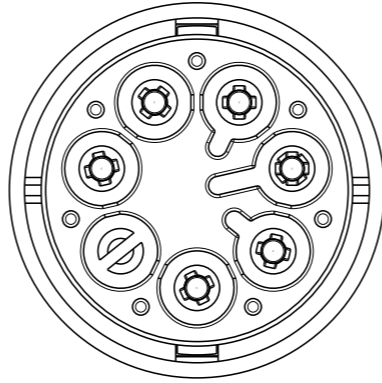
**RACOMANDED PCB THICKNESS 1.6±0.06,  
 PATH THICKNESS 0.07,  
 PATH WIDTH 7.50±0.05 FOR LINES, PE, NEUTRAL**

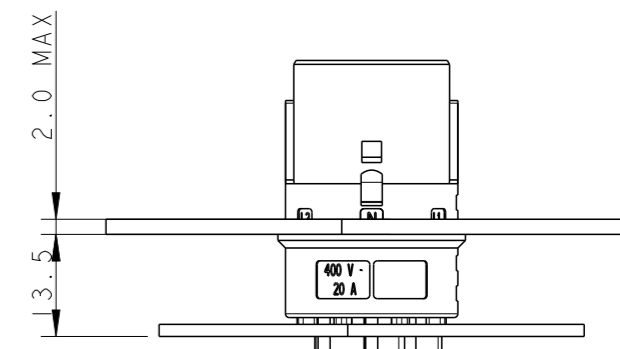


THIS DRAWING IS A CONTROLLED DOCUMENT.		DWN A. BERNARDI 31MAR2011	TE Connectivity	
DIMENSIONS: mm		CHK M. ZUCCA 31MAR2011		
TOLERANCES UNLESS OTHERWISE SPECIFIED:		APVD G. TURCO 31MAR2011	NAME PCB PIN CONNECTOR 6 POLES M-LINE NECTOR	
0 PLC ±- 1 PLC ±0.3 2 PLC ±0.20 3 PLC ±- 4 PLC ±- ANGLES ±3°		PRODUCT SPEC -	SIZE A300779	
MATERIAL -		APPLICATION SPEC -	DRAWING NO C-293672	
FINISH -		WEIGHT -	RESTRICTED TO -	
		Customer Drawing	SCALE 2:1	SHEET 1 OF 2
			REV A	

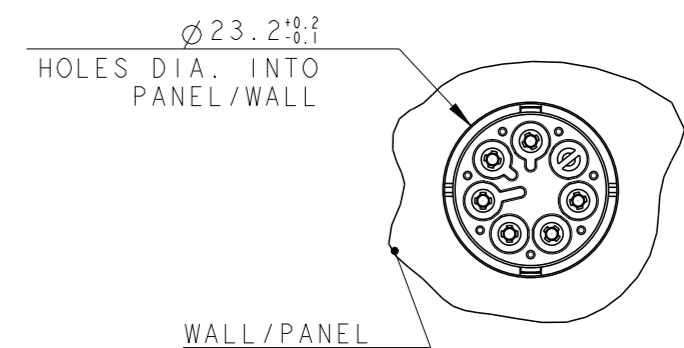
LOC	DIST	REVISIONS			
P	LTR	DESCRIPTION	DATE	DWN	APVD
	-	SEE SHEET 1	-	-	-




### POLARIZATION TYPES


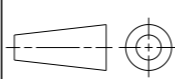
POLARIZATION TYPE "C"	POLARIZATION TYPE "D"	POLARIZATION TYPE "E"
		
PNs 0-293672-3	PNs 0-293672-4	PNs 0-293672-5



SCALE 1:1



	E	NATURAL	PIN PCB CONN 6 POLES NECTOR* M-LINE	A	0-293672-5
	D	NATURAL	PIN PCB CONN 6 POLES NECTOR* M-LINE	A	0-293672-4
	C	NATURAL	PIN PCB CONN 6 POLES NECTOR* M-LINE	A	0-293672-3
NOTE	POL. KEYING	COLOUR	DESCRIPTION	REV.	P/N

THIS DRAWING IS A CONTROLLED DOCUMENT.		DWN A. BERNARDI 31MAR2011	 TE Connectivity		
DIMENSIONS: mm		CHK M. ZUCCA 31MAR2011			
TOLERANCES UNLESS OTHERWISE SPECIFIED:		APVD G. TURCO 31MAR2011	NAME PCB PIN CONNECTOR 6 POLES M-LINE NECTOR		
		PRODUCT SPEC -	RESTRICTED TO		
MATERIAL -		FINISH -	APPLICATION SPEC -	SIZE A300779	DRAWING NO C-293672
Customer Drawing			WEIGHT -	SCALE 2:1	SHEET 2 OF 2
				REV A	