



PART NAME

## EXTRUDED ALUMINUM IP65 PCB ENCLOSURES

PART No.

EXN-23356 (SEE TABULATION FOR COMBINATIONS)

REVISION DATE

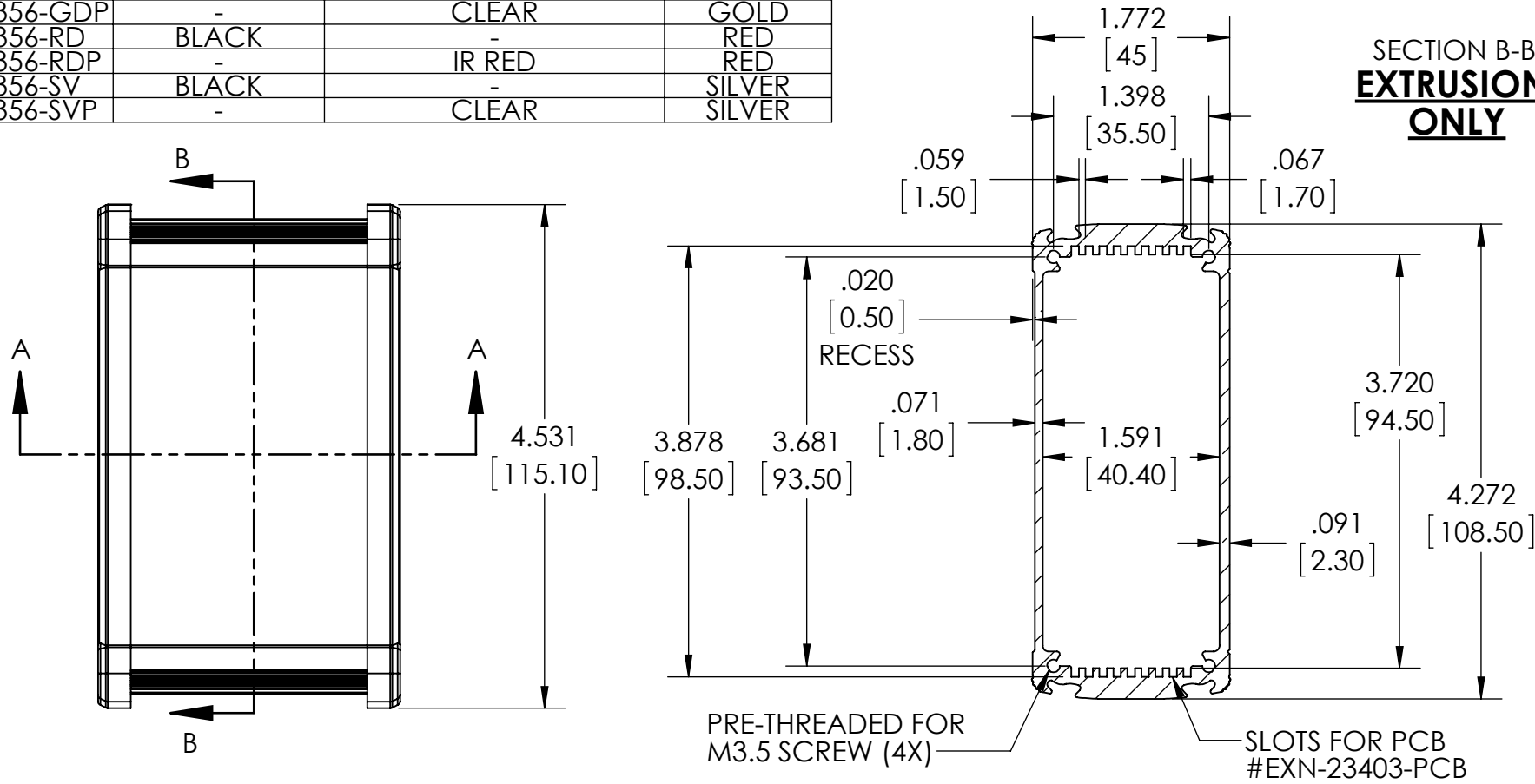
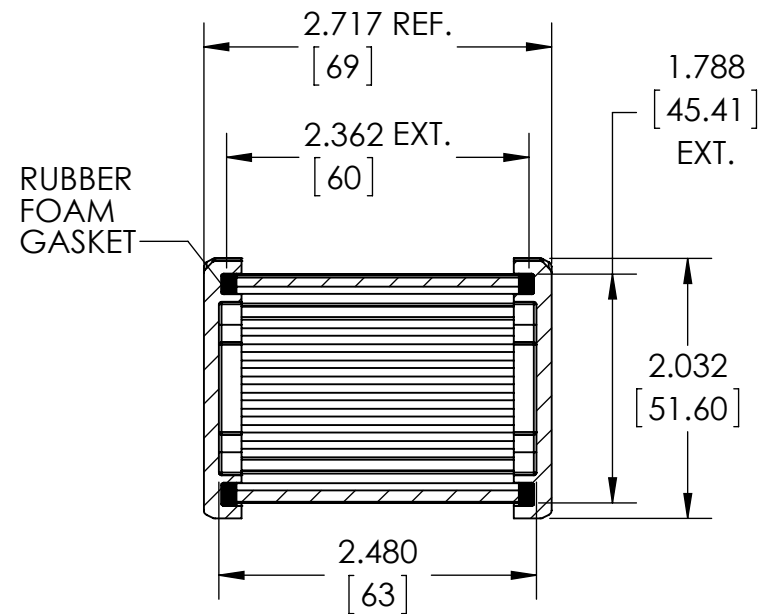
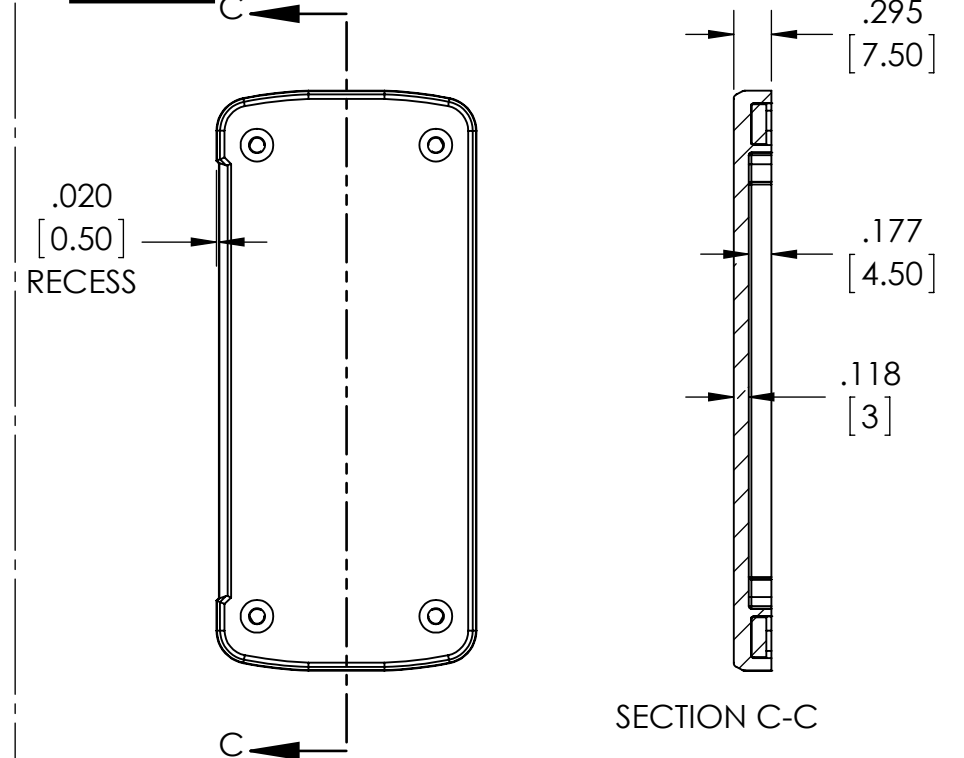
10-23-15

PART NUMBER	ALUM. COVER	PLASTIC COVER	BODY COLOR
EXN-23356-BK	BLACK	-	BLACK
EXN-23356-BKP	-	BLACK	BLACK
EXN-23356-BL	BLACK	-	BLUE
EXN-23356-BLP	-	TRANSLUCENT BLUE	BLUE
EXN-23356-GD	BLACK	-	GOLD
EXN-23356-GDP	-	CLEAR	GOLD
EXN-23356-RD	BLACK	-	RED
EXN-23356-RDP	-	IR RED	RED
EXN-23356-SV	BLACK	-	SILVER
EXN-23356-SVP	-	CLEAR	SILVER

MATERIAL: ALUMINUM EXTRUSION BODY PROVIDED  
ALUMINUM COVER (2X) AND GASKETS OR  
POLYCARBONATE COVER (2X) AND GASKETS - NOT ASSEMBLED

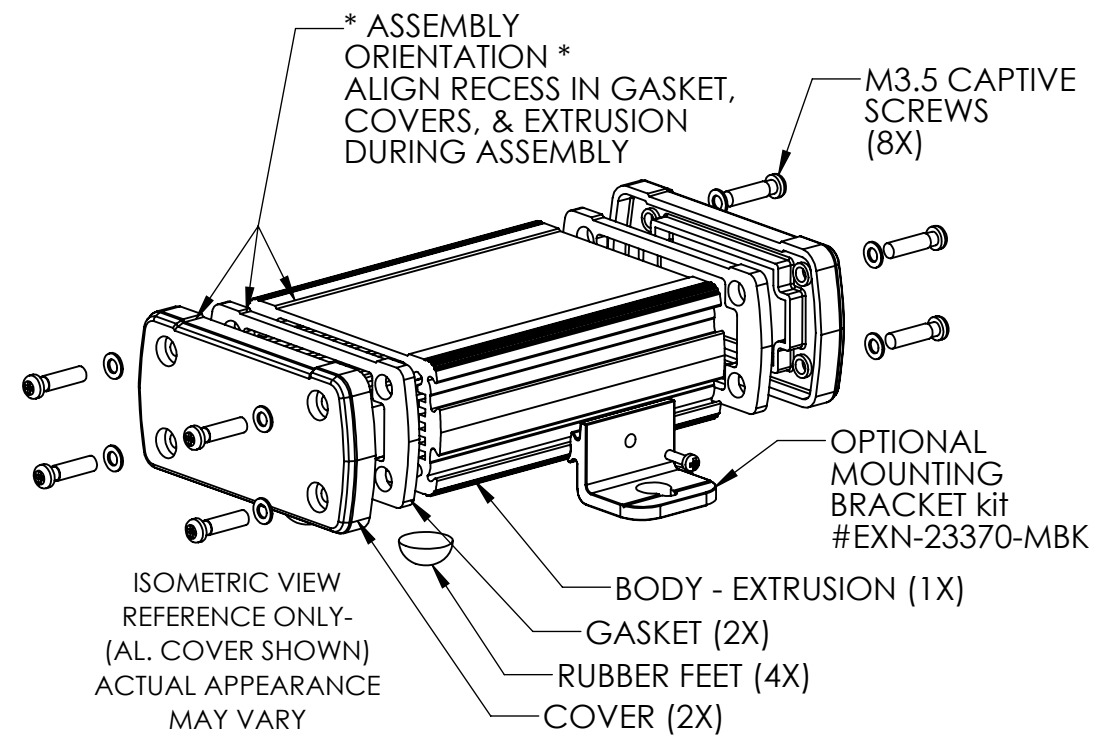
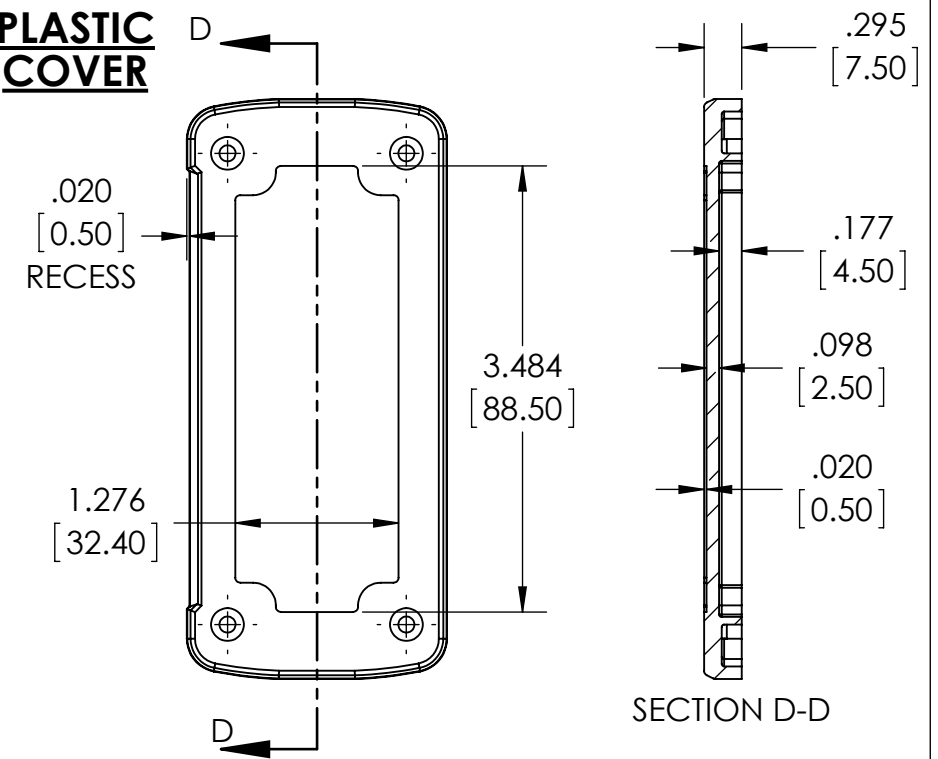
DIMENSIONS ARE INCH[MM]

**DRAWING FOR REFERENCE**  
WE RESERVE THE RIGHT TO MAKE CHANGES TO OUR  
STANDARD PRODUCTS. PLEASE CONSULT WITH BUD INDUSTRIES  
PRIOR TO USING THIS DRAWING FOR DESIGN PURPOSE.

SECTION B-B  
EXTRUSION  
ONLYDIE CAST  
ALUMINUM  
COVER

## SECTION A-A

DIMENSIONS MAY VARY DEPENDING ON  
THE COMPRESSION OF THE GASKETS

PLASTIC  
COVER

## SECTION D-D