



PART NAME

EXTRUDED ALUMINUM IP65 PCB ENCLOSURES

PART No.

EXN-23356 (SEE TABULATION FOR COMBINATIONS)

REVISION DATE

10-23-15

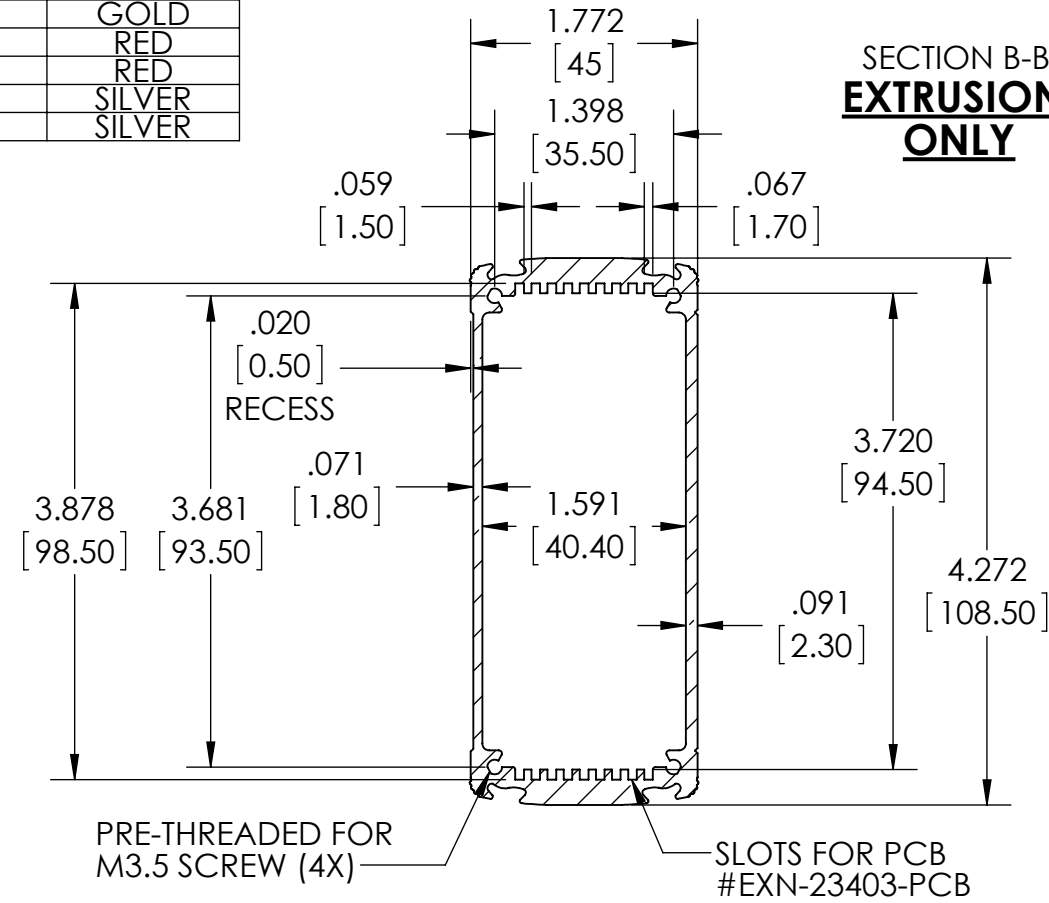
PART NUMBER	ALUM. COVER	PLASTIC COVER	BODY COLOR
EXN-23356-BK	BLACK	-	BLACK
EXN-23356-BKP	-	BLACK	BLACK
EXN-23356-BL	BLACK	-	BLUE
EXN-23356-BLP	-	TRANSLUCENT BLUE	BLUE
EXN-23356-GD	BLACK	-	GOLD
EXN-23356-GDP	-	CLEAR	GOLD
EXN-23356-RD	BLACK	-	RED
EXN-23356-RDP	-	IR RED	RED
EXN-23356-SV	BLACK	-	SILVER
EXN-23356-SVP	-	CLEAR	SILVER

MATERIAL: ALUMINUM EXTRUSION BODY PROVIDED
 ALUMINUM COVER (2X) AND GASKETS OR
 POLYCARBONATE COVER (2X) AND GASKETS - NOT ASSEMBLED

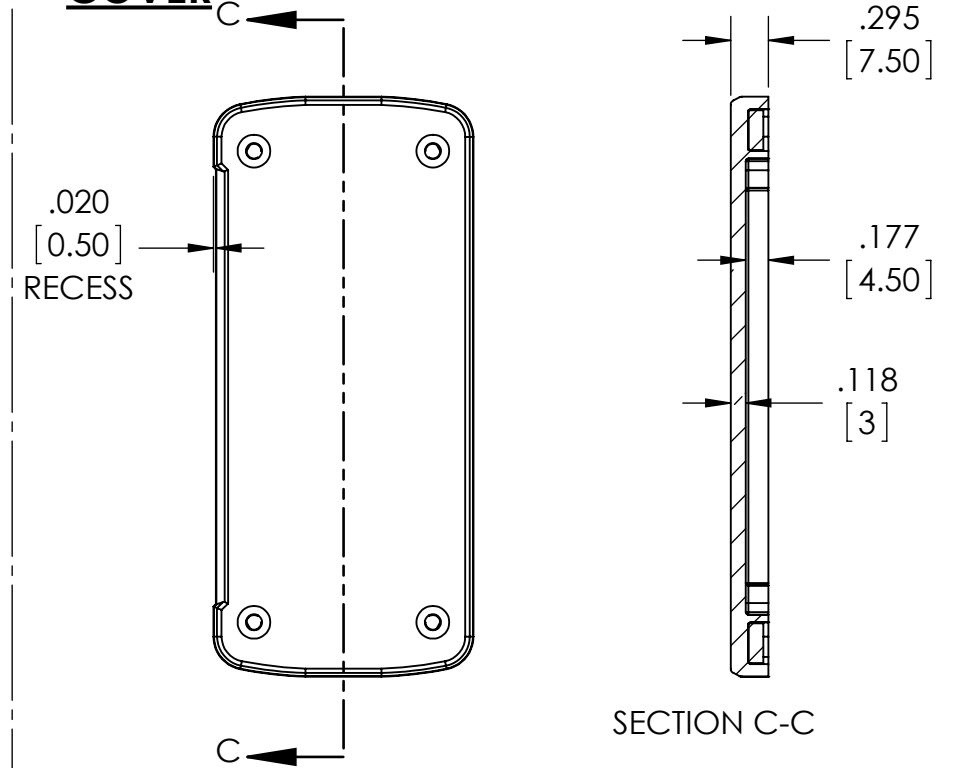
DIMENSIONS ARE INCH[MM]

DRAWING FOR REFERENCE
 WE RESERVE THE RIGHT TO MAKE CHANGES TO OUR
 STANDARD PRODUCTS. PLEASE CONSULT WITH BUD INDUSTRIES
 PRIOR TO USING THIS DRAWING FOR DESIGN PURPOSE.

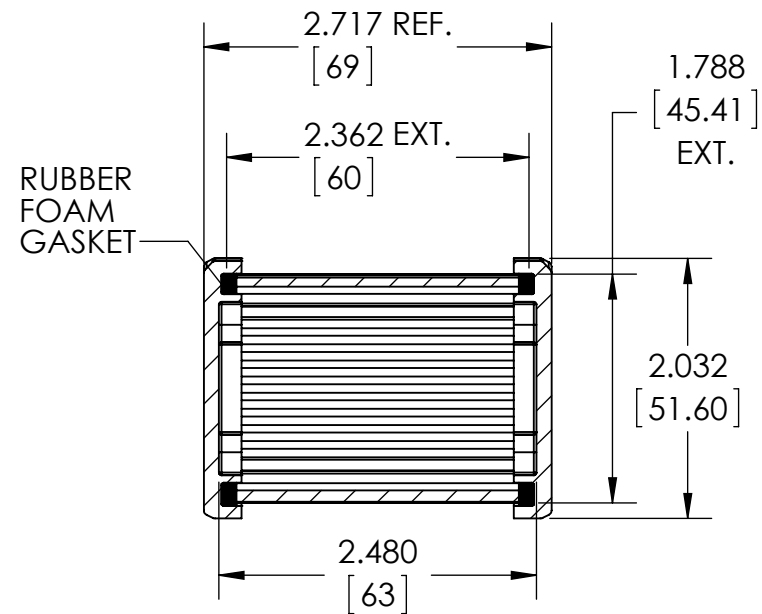
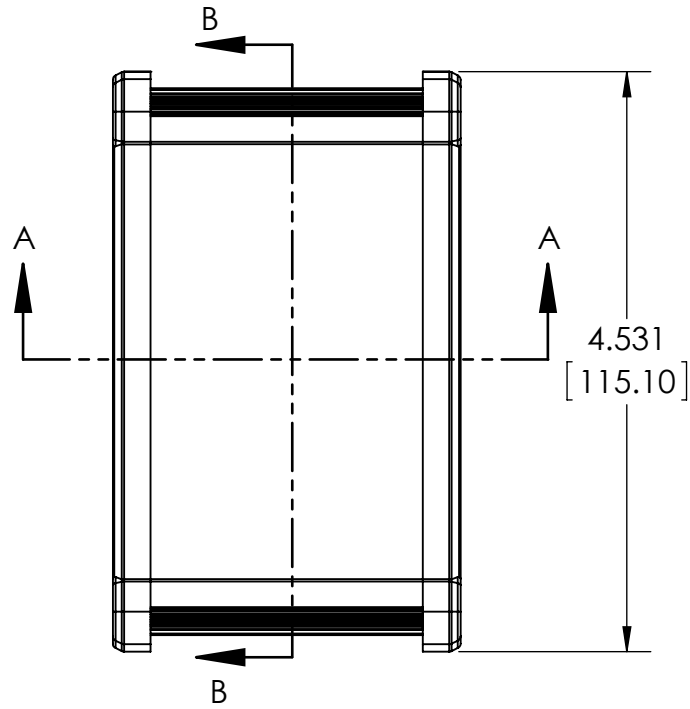
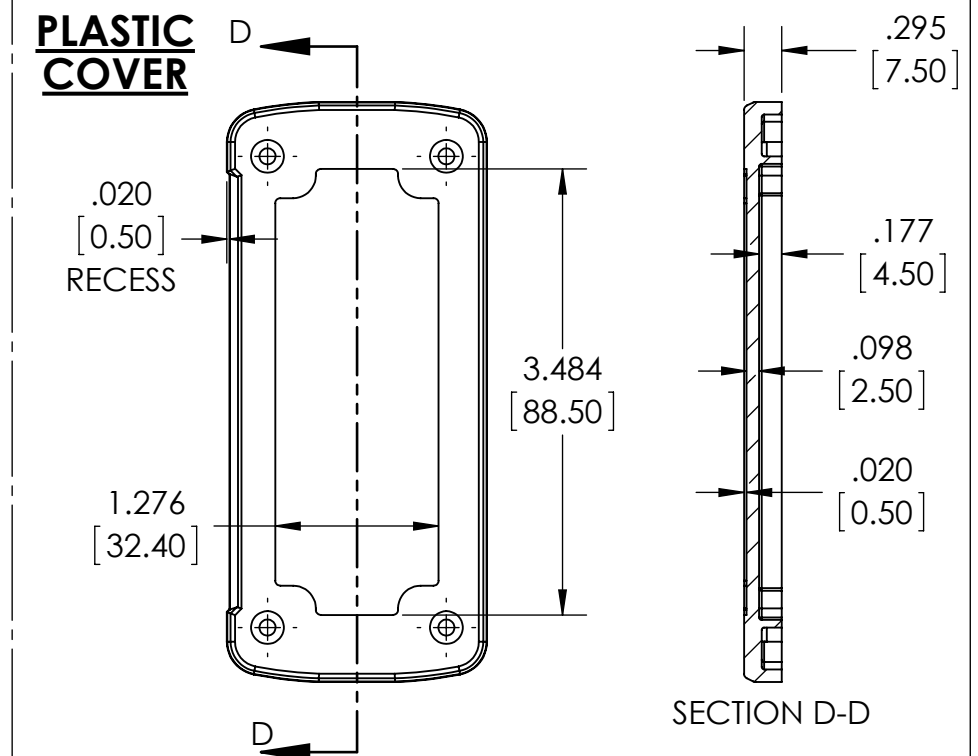
SECTION B-B EXTRUSION ONLY



DIE CAST ALUMINUM COVER



PLASTIC COVER



SECTION A-A

DIMENSIONS MAY VARY DEPENDING ON THE COMPRESSION OF THE GASKETS

