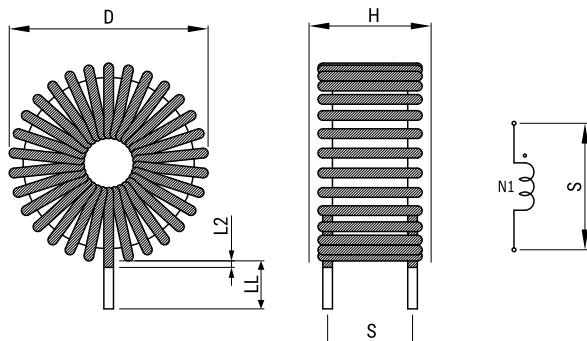


KEMET Part Number: SN16-300
(UALSN163000000)

KEMET, SN, AC Line Filters, Normal Mode, 60 uH, MIN



Dimensions	
D	34mm MAX
H	19mm MAX
LL	20mm +/-2mm
S	15mm NOM
L2	1.5mm MAX

Packaging Specifications	
Packaging:	Tray
Packaging Quantity:	250
Weight:	39 g

General Information	
Series:	SN
Style:	Through-Hole
Features:	Compact Size
RoHS:	Yes
Miscellaneous:	21 (K) Temperature Rise Max.

Specifications	
Inductance:	60 uH (0.1 MHz)
Inductance Tolerance:	MIN
Current:	8 A
Temperature Range:	-25/+105°C
DC Resistance:	21 mOhms