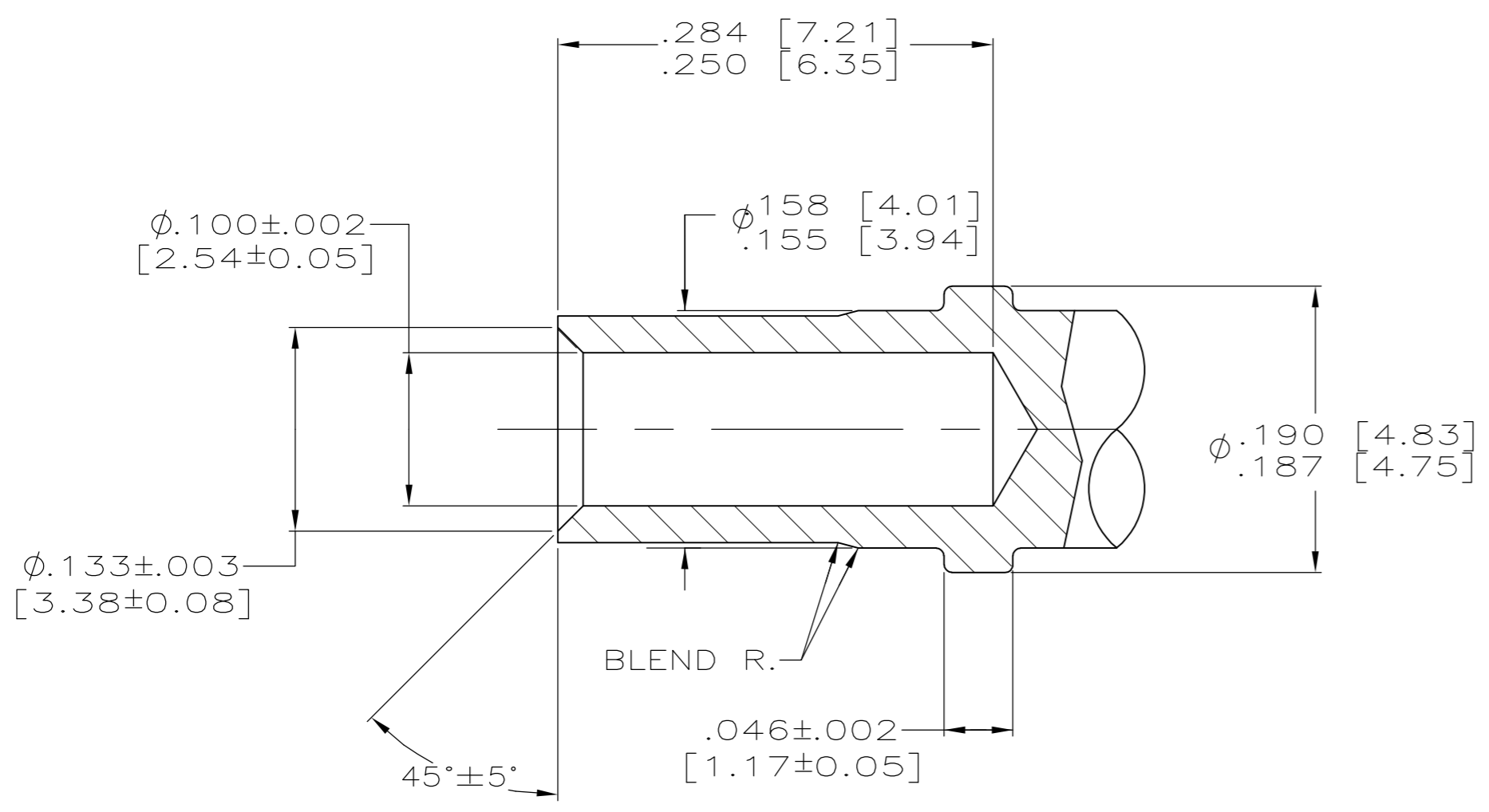
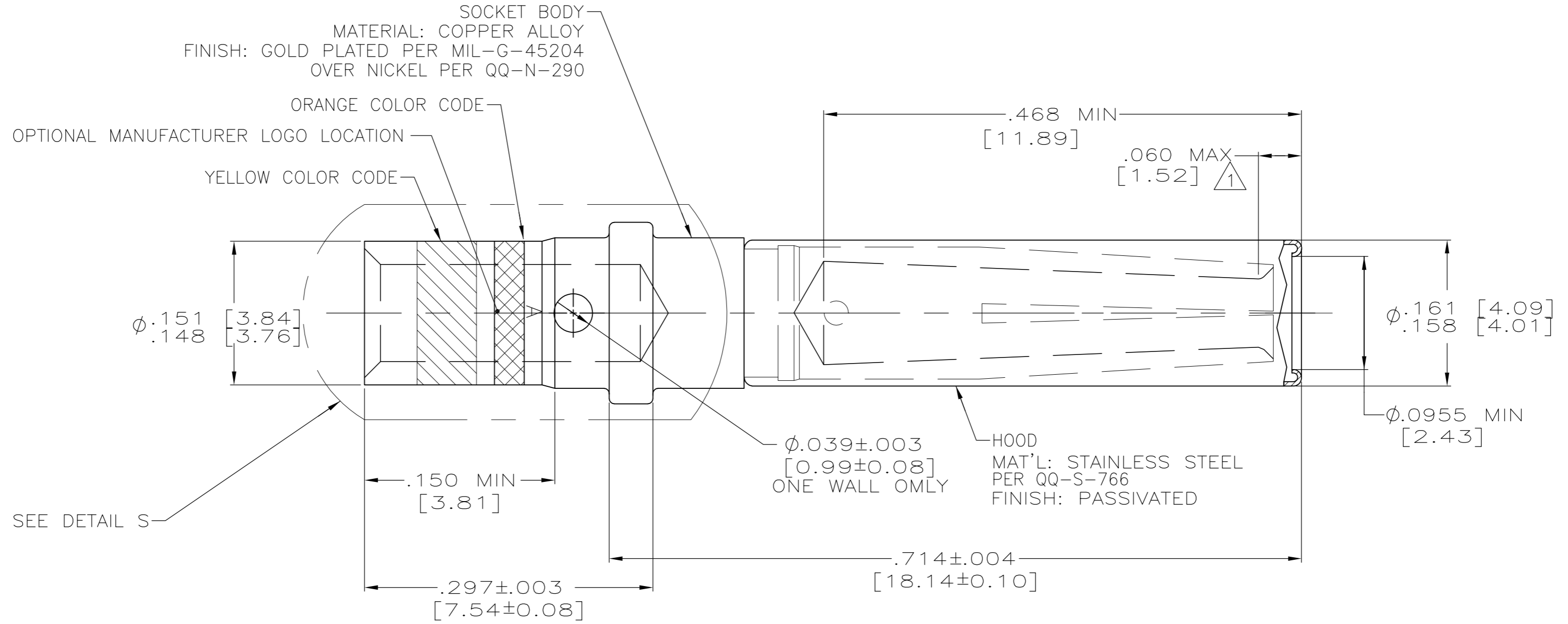


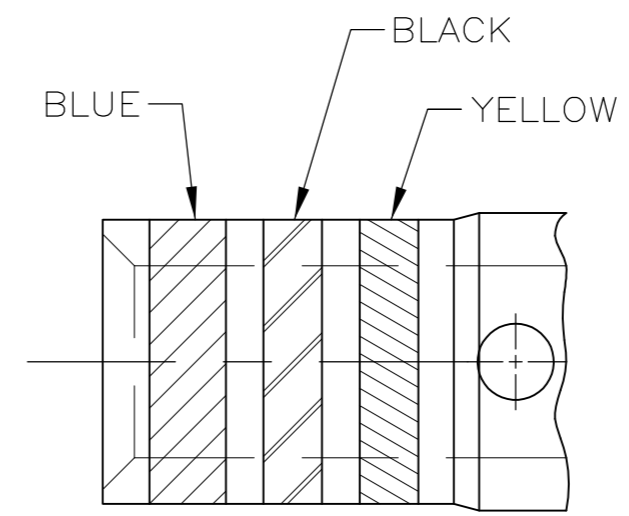
THIS DRAWING IS UNPUBLISHED. RELEASED FOR PUBLICATION
 © COPYRIGHT - By - ALL RIGHTS RESERVED.

REVISIONS				DATE	DWN	APVD
P	LTR	DESCRIPTION				
F		REV PER ECO 11-016604	8-16-11	CT	WB	

⚠ ELECTRICAL ENGAGEMENT POINT.



DETAIL S



DETAIL A
 COLOR CODE
 (208273-4 ONLY)

SEE DETAIL A	208273-4
AS SHOWN	208273-2
REMARKS	PART NO.

THIS DRAWING IS A CONTROLLED DOCUMENT.		DWN	C.C.THOMAS	9/11/98	TE Connectivity		
DIMENSIONS: INCHES		CHK	S.GLATFELTER	9-14-98	NAME		
TOLERANCES UNLESS OTHERWISE SPECIFIED:		APVD	S.GLATFELTER	9-14-98	SOCKET CONTACT ASSY, SIZE 12,ARINC 600		
0 PLC ± -	1 PLC ± -	PRODUCT SPEC					
2 PLC ± -	3 PLC ± .005 [0.13]	APPLICATION SPEC					
4 PLC ± -	ANGLES ± -	WEIGHT	-	SIZE	A2	CAGE CODE	
MATERIAL	FINISH	WEIGHT	-	00779	DRAWING NO	C=208273	
SEE CALLOUTS	SEE CALLOUTS	CUSTOMER DRAWING	SCALE	10:1	SHEET	1 of 1	
						RESTRICTED TO	-
						REV	F