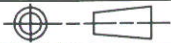


HIGH DENSITY YHLZ TERMINAL BLOCK MODULES


9	ON SH 2. CORRECTED MATL CALLOUT. WAS ZYTEL 151. (ECN3616)	TJ	FDH	09-27-96
8	REVISED AND REDRAWN ON CAD. DWG WAS SD84122. SEE REV. REF. PRINT. (ECN3556)	FDH	JKK	06-10-96
REV	REVISION DESCRIPTION	BY	CHKD	DATE

SUPERSEDES: SD84122-7

HIGH DENSITY YHLZ TERMINAL BLOCK MODULES	
CAT NO.	YHLZ16- (SEE TABLE)

LINEAR MEASURE:	INCH mm	INCH [mm]
THIRD ANGLE PROJECTION		
		
- TOLERANCES - UNLESS OTHERWISE SPECIFIED		
NO OF DECIMAL PLACES IN INCHES	INCH [mm]	
ONE PLACE	±.1 [±3]	
TWO PLACES	±.02 [±0.5]	
THREE PLACES	±.005 [±0.13]	
ANGLES ±1°		

DWG RELEASED TO CENTRAL FILE 06-10-96		
CAGE NO. 09922	ECN 3556	PC 862
© FRAMATOME CONNECTORS USA INC. 1996		



APPROVAL	DRWN DWJ 05-31-80
	CHKD SFP 10-16-80
	DSGN LAS 10-24-80
	MKT FG 05-31-96
	QC ZR 06-05-96
DRAWING SCALE NONE	
DRAWING NO	REV
SA84122	9
SHEET 1 OF 5	

NOTES: UNLESS OTHERWISE SPECIFIED.

1. INTERPRET THIS DRAWING IN ACCORDANCE WITH ANSI Y14.5M-1982.
2. TERMINAL BLOCKS ACCOMODATES FCI 'ARM20W-1D__' PIN CONTACTS. (REF: MIL-C-39029/11-145) SEE DRAWING SD84121. PIN CONTACTS ACCOMODATE WIRE RANGE #24-22-20 AWG. USE INSERTION/REMOVAL TOOL PER MIL-I-81969/1-02.
3. TERMINAL BLOCK CAN BE INSTALLED IN ANY POSITION OF AMM____T____AND AMY____T____ TRACK BY ROTATING CLOCKWISE. SEE DRAWINGS SE66784, BRSE66604, SD83863, AND SD83864.
4. MODULES ARE INTERCHANGEABLE WITH THE YHLZ8 (BACM15C2A) TERMINAL BLOCK MODULE (SEE DWG SA60450) AND ARE USED IN THE SAME TRACK.
5. UPPER AND LOWER BODIES SEALED AROUND PERIPHERY OF ALL UNBUSSED CAVITIES.
6. BARRIER IDENTIFICATION MARKING. (NON CONDUCTIVE BLACK INK)

MATERIAL:

BODY - NYLON 612 PER MIL-M-20693, TYPE III, COLOR - WHITE.
 CONTACT SPRING & RETENTION SPRING - BERYLLIUM COPPER ALLOY

FINISH:

CONTACT SPRING - .000030 [0,00076] MIN. GOLD OVER .000100 [0,00254] MIN. COPPER.

WEIGHT: .46 OZ. [13 GRAMS] MAX.

CATALOG NO. TABLE		
FCI CAT. NO.	BUSSING ARRANGEMENT	CUST. PART NO.
YHLZ16-2	8 UNITS X 2 BUSSED	BACM15C3A
YHLZ16-4	4 UNITS X 4 BUSSED	BACM15C3B
YHLZ16-8	2 UNITS X 8 BUSSED	BACM15C3C

---	ALL REV. RECORDED ON SHT 1	---	---	---
REV	REVISION DESCRIPTION	BY	CHKD	DATE

HIGH DENSITY YHLZ TERMINAL BLOCK MODULES				
CAT NO. YHLZ16- (SEE TABLE)				
DWG RELEASED TO CENTRAL FILE 06-10-96				
CAGE NO. 09922		ECN XXX	PC 862	
© FRAMATOME CONNECTORS USA INC. 1996				
APP RO VA L	DRWN	DWJ	05-31-80	
	CHKD	SFP	10-16-80	
	DSGN	LAS	10-24-80	
	MKT	FG	05-31-96	
	QC	ZR	06-05-96	
DRAWING SCALE: NONE				
DRAWING NO.			REV	
SA84122			9	
SHEET 2 OF 5				

LINEAR MEASURE:	INCH mm	INCH [mm]
THIRD ANGLE PROJECTION		
- TOLERANCES - UNLESS OTHERWISE SPECIFIED		
NO OF DECIMAL PLACES IN INCHES	INCH [mm]	
ONE PLACE	±.1 [±3]	
TWO PLACES	±.02 [±0.5]	
THREE PLACES	±.005 [±0.13]	
ANGLES ±1°		



PERFORMANCE CHARACTERISTICS

MECHANICAL:

CONTACT INSERTION FORCES: 2 LBS [8,90N] MAX.
 CONTACT SEPARATION FORCES: .125 LB [0,56N] MIN.
 CONTACT RETENTION: 20 LBS [88,96N] MIN.
 BUS RETENTION: 25 LBS [111,20N] MIN.

ELECTRICAL:

CONTACT RESISTANCE: SIZE 20-20: 30 MILLIVOLTS MAX AT 7.5 AMPS WITH
 20 AWG SILVER PLATED WIRE.
 LOW LEVEL CONTACT RESISTANCE: SIZE 20-20: .006 OHMS MAX WITH 20 AWG SILVER PLATED WIRE.
 DIELECTRIC WITHSTANDING VOLTAGE: 1500 VRMS
 (SEA LEVEL)
 DIELECTRIC WITHSTANDING VOLTAGE: 1000 VRMS
 (60,000 FT.)
 INSULATION RESISTANCE: 5000 MEGOHMS MIN.
 CASE INTEGRITY (WET DIELECTRIC): 1500 VRMS

ENVIRONMENTAL:

SALT SPRAY: 48 HOURS IN ACCORDANCE WITH MIL-STD-202, METHOD 101, TEST CONDITION B.
 VIBRATION: IN ACCORDANCE WITH MIL-STD-202, METHOD 204, TEST CONDITION D, LETTER E.
 THERMAL SHOCK: IN ACCORDANCE WITH MIL-STD-202, METHOD 107, TEST CONDITION B.
 EXCEPT TEMPERATURE EXTREMES ARE -55°C TO 65°C [-67°F TO 149°F]
 HUMIDITY: IN ACCORDANCE WITH MIL-STD-202, METHOD 106, (OMIT STEP 7B).
 TENSILE PULL: 10 LBS [44,48N] MIN. AT RIGHT ANGLES TO LONGITUDINAL AXIS OF CONTACT.

---	ALL REV. RECORDED ON SHT 1	---	---	---
REV	REVISION DESCRIPTION	BY	CHKD	DATE

HIGH DENSITY YHLZ TERMINAL BLOCK MODULES
 CAT NO. YHLZ16- (SEE TABLE)

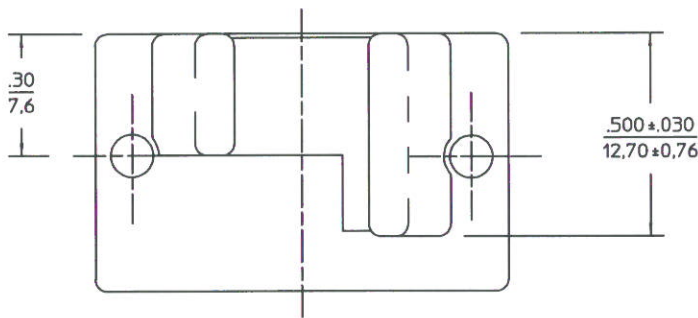
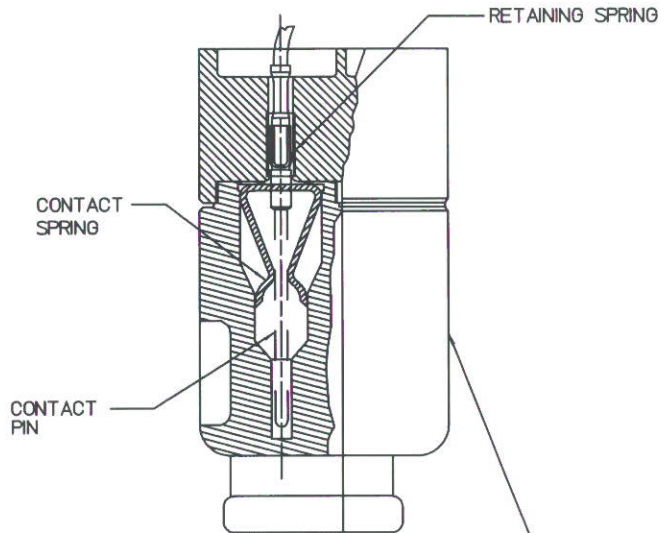
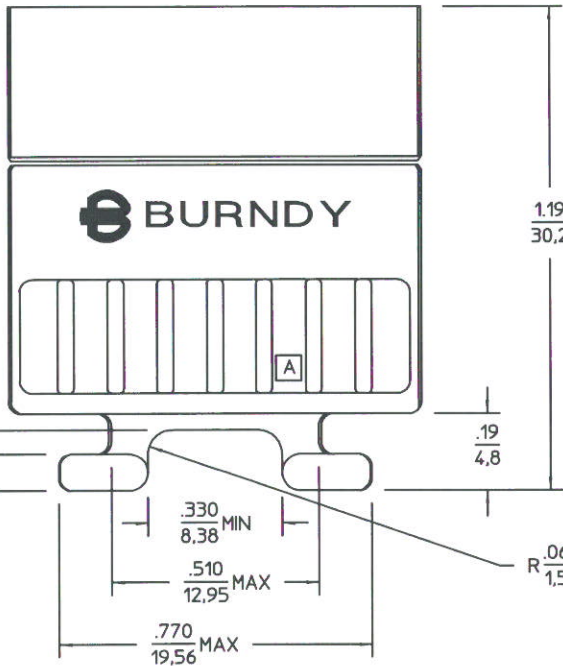
LINEAR MEASURE:	INCH mm	INCH [mm]
THIRD ANGLE PROJECTION		
- TOLERANCES -		
UNLESS OTHERWISE SPECIFIED		
NO OF DECIMAL PLACES IN INCHES	INCH	[mm]
ONE PLACE	±.1	[±.3]
TWO PLACES	±.02	[±0.5]
THREE PLACES	±.005	[±0.13]
ANGLES ±1°		

DWG RELEASED TO CENTRAL FILE 06-10-96
 CAGE NO. 09922 ECN 3556 PC 862

© FRAMATOME CONNECTORS USA INC. 1996



A P P R O V A L	DRWN	DWJ	05-31-80
	CHKD	SFP	10-16-80
	DSGN	LAS	10-24-80
	MKT	FG	05-31-96
	QC	ZR	06-05-96
	DRAWING SCALE: NONE		
DRAWING NO.		REV	
SA84122		9	
SHEET 3 OF 5			



---	ALL REV. RECORDED ON SHT 1	---	---	---
REV	REVISION DESCRIPTION	BY	CHKD	DATE

HIGH DENSITY YHLZ TERMINAL BLOCK MODULES

CAT NO. YHLZ16- (SEE TABLE)

DWG RELEASED TO CENTRAL FILE 06-10-96

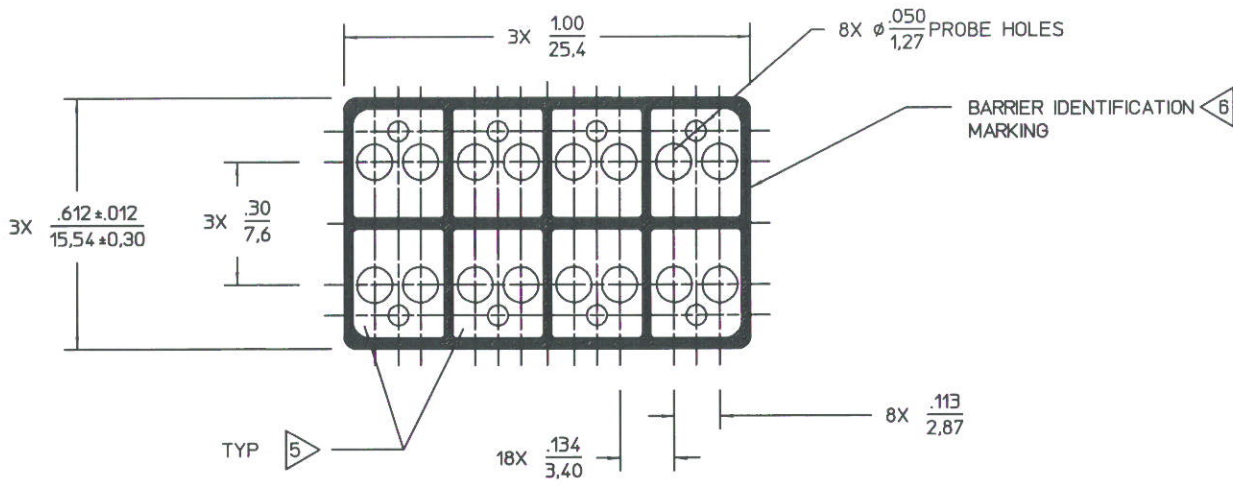
CAGE NO. 09922 ECN 3556 PC 862

© FRAMATOME CONNECTORS USA INC. 1996

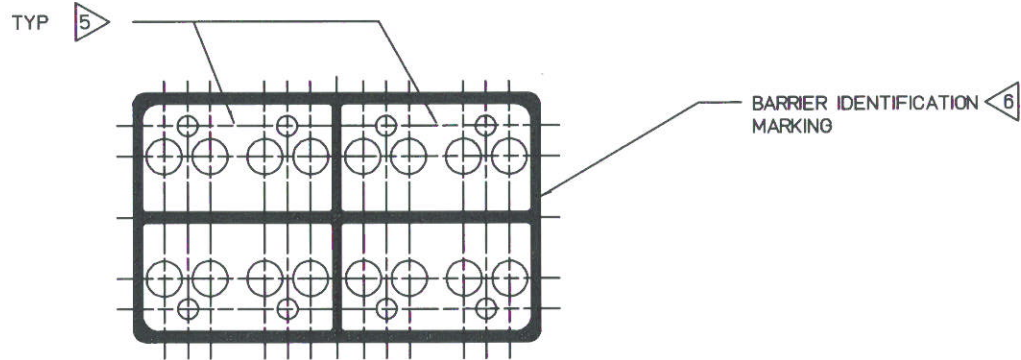
LINEAR MEASURE:	INCH mm	INCH [mm]
THIRD ANGLE PROJECTION		
- TOLERANCES - UNLESS OTHERWISE SPECIFIED		
NO OF DECIMAL PLACES IN INCHES	INCH [mm]	
ONE PLACE	±.1 [±3]	
TWO PLACES	±.02 [±0.5]	
THREE PLACES	±.005 [±0.13]	
ANGLES ±1°		



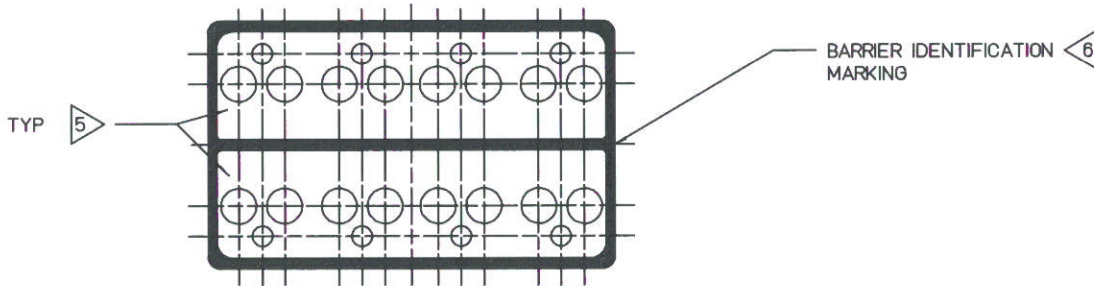
APPROVAL	DRWN DWJ 05-31-80
	CHKD SFP 10-16-80
	DSGN LAS 10-24-80
	MKT FG 05-31-96
	QC ZR 06-05-96
DRAWING SCALE 2 : 1	
DRAWING NO	REV
SA84122	9
SHEET 4 OF 5	



YHLZ16-2 (BACM15C3A)
8 UNITS OF 2 BUSSED TOGETHER



YHLZ16-4 (BACM15C3B)
4 UNITS OF 4 BUSSED TOGETHER



YHLZ16-8 (BACM15C3C)
2 UNITS OF 8 BUSSED TOGETHER

---	ALL REV. RECORDED ON SHT 1	---	---	---
REV	REVISION DESCRIPTION	BY	CHKD	DATE

HIGH DENSITY YHLZ TERMINAL BLOCK MODULES
CAT NO. YHLZ16- (SEE TABLE)

DWG RELEASED TO CENTRAL FILE XX-XX-XX
CAGE NO. 09922 | ECN 3556 | PC 862
© FRAMATOME CONNECTORS USA INC. 1996

APPROVAL	DRWN DWJ 05-31-80
	CHKD SFP 10-16-80
	DSGN LAS 10-24-80
	MKT FG 05-31-96
	QC ZR 06-05-96

LINEAR MEASURE:	INCH mm	INCH [mm]
THIRD ANGLE PROJECTION		
- TOLERANCES - UNLESS OTHERWISE SPECIFIED		
NO OF DECIMAL PLACES IN INCHES	INCH [mm]	
ONE PLACE	±.1 [±3]	
TWO PLACES	±.02 [±0.5]	
THREE PLACES	±.005 [±0.13]	
ANGLES ±1°		



DRAWING SCALE 2 : 1	
DRAWING NO	REV
SA84122	9
SHEET 5 OF 5	