

# Series 79 Micro-Crimp Section D: Cable Connectors, Crimp Termination




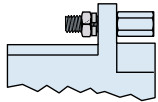
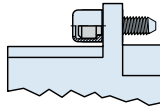
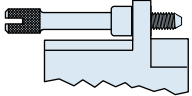
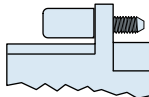
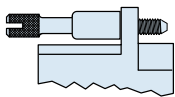
## CABLE RECEPTACLES WITH PIN CONTACTS, CRIMP TERMINATION, 790-024P



Rugged, lightweight 790-024P connectors feature machined aluminum shells, fluorosilicone face seals and wire grommets for environmental protection. Contacts are rear-release snap-in crimp type. Connectors are supplied with crimp contacts packaged separately. Size #23 signal pins accept up to #22 AWG wire. Size #16 contacts accept #16-18 AWG wire. Size #12 contacts accept #12-14 AWG wire. Size 12 and 16 cavities also accept coaxial contacts purchased separately. Connector shell features a groove for attachment of a low-profile EMI backshell adapter 799-015, ordered separately.

### HOW TO ORDER

#### Sample Part Number

| 790-024P  | C-13   | M   | P   |
|---|--|---|---|
| Base Part Number                                      | Shell Size - Insert Arr.   | Shell Finish  | Hardware Option   |
| <b>790-024P</b><br>Cable Receptacle with Pin Contacts | See Table 1 for Available Insert Arrangements<br><br>. To order a connector without size #16 or #12 power pins, substitute "W" instead of "P" in the insert arrangement.<br><br>Example:<br><br><b>36P2</b> is supplied with 2 power pins.<br><br><b>36W2</b> is supplied less the power pins.<br><br>See Section B for coaxial contacts purchased separately. | <b>M</b><br>Electroless Nickel<br><i>general purpose applications</i><br><br><b>MT</b><br>Nickel-PTFE<br>1000 Hour Grey™<br><i>maximum corrosion protection and durability (non-reflective grey)</i><br><br><b>ZNU</b><br>Zinc-Nickel with Black Chromate<br><i>tactical applications (non-reflective black)</i><br><br>Additional shell finishes are listed on page C-9. | <div style="display: flex; flex-wrap: wrap;"> <div style="width: 50%;">  <p><b>N</b><br/>Thru-Hole No Hardware</p> </div> <div style="width: 50%;">  <p><b>P</b><br/>Female Jackpost</p> </div> <div style="width: 50%;">  <p><b>L</b><br/>Low-Profile Captivated Jackscrew, Hex Head</p> </div> <div style="width: 50%;">  <p><b>K</b><br/>Slot-Head Extended Jackscrew</p> </div> <div style="width: 50%;">  <p><b>S</b><br/>Low-Profile Captivated Screwlock, Hex Head</p> </div> <div style="width: 50%;">  <p><b>T</b><br/>Slot-Head Extended Captivated Screwlock</p> </div> </div> |

### SPECIFICATIONS

|                                 |   |
|---------------------------------|---|
| Current Rating                  | #23 5 AMPS, #16 13 A., #12 23 A.          |
| Dielectric Withstanding Voltage | #23 500 VAC RMS, #12 and #16 1800 VAC RMS |
| Insulation Resistance           | 5000 megohms minimum                      |
| Operating Temperature           | -65° C. to +150° C.                       |
| Shock                           | 300 g.                                    |
| Vibration                       | 37 g.                                     |

### MATERIALS AND FINISHES

|                           |  |
|---------------------------|--|
| Shell                     | Aluminum alloy                           |
| Contacts                  | Copper alloy, 50 microinches gold plated |
| Insulators                | Liquid crystal polymer (LCP)             |
| Retention Clips           | Beryllium copper alloy                   |
| Interfacial Seal, Grommet | Fluorosilicone rubber                    |
| Hardware                  | 300 series stainless steel               |

Dimensions in inches (millimeters) and are subject to change without notice.

Table 1 Contact Arrangements

| Layout | Contact Quantity |     |     | Face View |
|--------|------------------|-----|-----|-----------|
|        | #23              | #16 | #12 |           |
| A-5    | 5                |     |     |           |
| B-2P2  | 2                |     |     |           |
| B-9    | 9                |     |     |           |
| C-13   | 13               |     |     |           |
| D-15   | 15               |     |     |           |
| D-3P3  | 3                |     |     |           |
| D-7P2  | 5                | 2   |     |           |
| E-11P2 | 9                | 2   |     |           |
| E-19   | 19               |     |     |           |
| E-7P3  | 4                | 3   |     |           |
| F-15P2 | 13               | 2   |     |           |
| F-23   | 23               |     |     |           |
| F-5P5  | 5                |     |     |           |
| G-33   | 33               |     |     |           |
| H-10P4 | 6                | 4   |     |           |
| H-29P7 | 22               | 7   |     |           |
| H-36P2 | 34               | 2   |     |           |
| H-54P2 | 52               | 2   |     |           |
| H-5P5  |                  | 5   |     |           |
| H-66   | 66               |     |     |           |
| J-17P4 | 13               | 4   |     |           |
| J-25P2 | 23               | 2   |     |           |
| J-33   | 33               |     |     |           |
| J-7P7  | 7                |     |     |           |
| K-27P4 | 23               | 4   |     |           |
| K-35P2 | 33               | 2   |     |           |
| K-43   | 43               |     |     |           |
| K-9P9  | 9                |     |     |           |
| L-6P6  |                  | 6   |     |           |

CROSS-SECTIONAL VIEW OF 790-024P

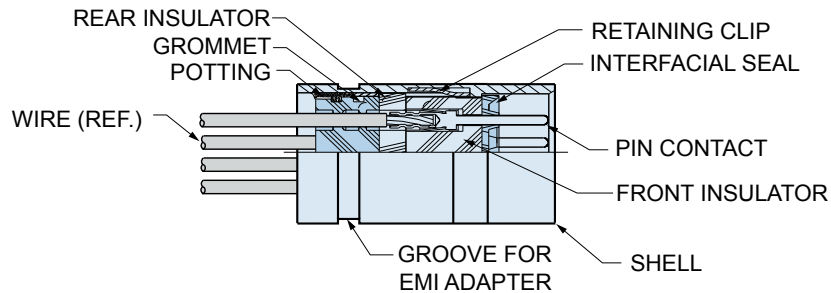
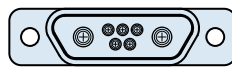
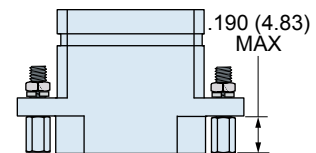


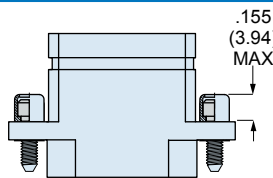
TABLE 2 HARDWARE OPTION

**N****No Mating Hardware**

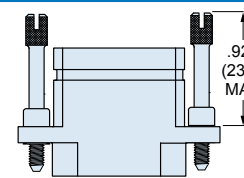
Connector is supplied with thru-holes. Shell sizes H and L are .148" (3.76) diameter, other shell sizes are .092" (2.34) diameter. Accepts standard Micro-D M83513 hardware.

**P****Jackposts**

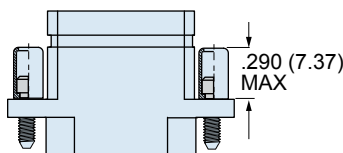
Connector is supplied with removable jackposts. Shell sizes H and L have #4-40 UNC thread, other sizes have #2-56 thread. Stainless steel. Conforms to M83513/05.

**L****Hex Head Jackscrews**

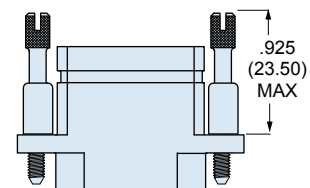
Connector is supplied with stainless steel non-removable low profile jackscrews. Shell sizes H and L have #4-40 UNC thread, other sizes have #2-56 thread.

**K****Extended Jackscrews**

Connector is supplied with stainless steel slot head non-removable jackscrews. Shell sizes H and L have #4-40 UNC thread, other sizes have #2-56 thread.

**S****Hex Head Screwlocks**

Connector is supplied with stainless steel non-removable low profile screwlocks. Shell sizes H and L have #4-40 UNC thread, other sizes have #2-56 thread. Screwlocks allow the connector to be mated before the screws are fastened.

**T****Extended Screwlocks**

Connector is supplied with stainless steel non-removable slot head screwlocks. Shell sizes H and L have #4-40 UNC thread, other sizes have #2-56 thread. Screwlocks allow the connector to be mated before the screws are fastened.

Dimensions in inches (millimeters) and are subject to change without notice.

© 2009 Glenair, Inc.

CAGE Code 06324

Printed in U.S.A.

GLENAIR, INC. • 1211 AIR WAY • GLENDALE, CA 91201-2497 • 818-247-6000 • FAX 818-500-9912

www.glenair.com

D-2

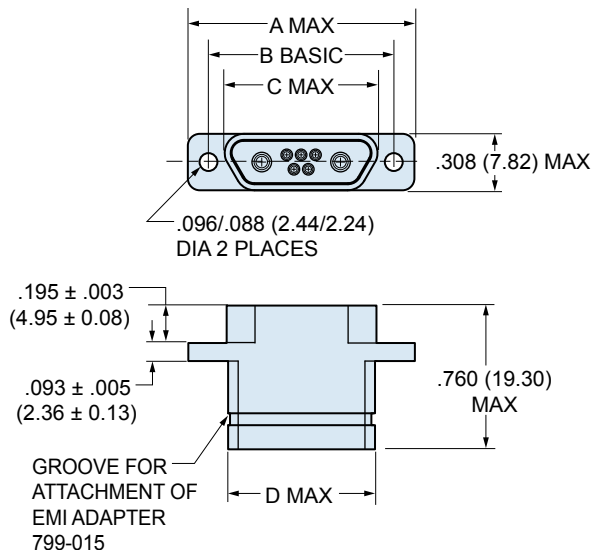
E-Mail: sales@glenair.com

Rev. 04-July-2009

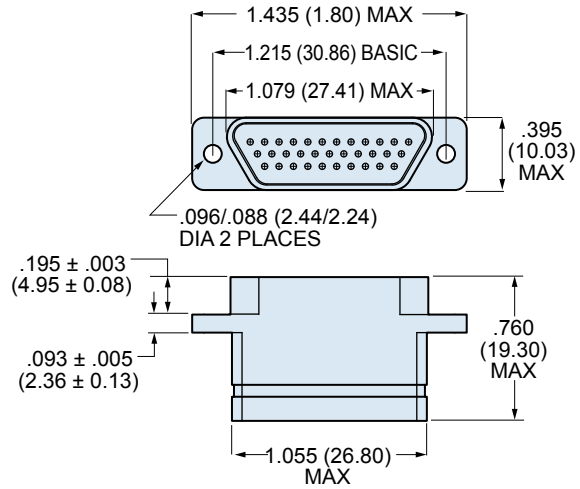
# Series 79 Micro-Crimp Section D: Cable Connectors, Crimp Termination



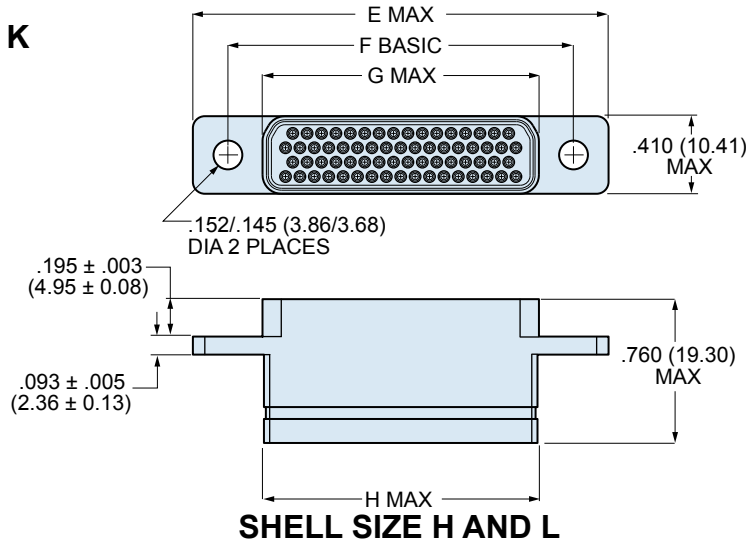
## 790-024P DIMENSIONS



**SHELL SIZES A, B, C, D, E, F, J, K**



**SHELL SIZE G**



**SHELL SIZE H AND L**

## 790-024P DIMENSIONS

| Shell Size | A Max. |       | B Basic |       | C Max. |       | D Max. |       | E Max. |       | F Basic |       | G Max. |       | H Max. |       |
|------------|--------|-------|---------|-------|--------|-------|--------|-------|--------|-------|---------|-------|--------|-------|--------|-------|
|            | In.    | mm.   | In.     | mm.   | In.    | mm.   | In.    | mm.   | In.    | mm.   | In.     | mm.   | In.    | mm.   | In.    | mm.   |
| A          | .785   | 19.94 | .565    | 14.35 | .400   | 10.16 | .390   | 9.91  | —      | —     | —       | —     | —      | —     | —      | —     |
| B          | .935   | 23.75 | .715    | 18.16 | .551   | 14.00 | .540   | 13.72 | —      | —     | —       | —     | —      | —     | —      | —     |
| C          | 1.085  | 27.65 | .865    | 21.97 | .701   | 17.81 | .690   | 17.53 | —      | —     | —       | —     | —      | —     | —      | —     |
| D          | 1.185  | 30.10 | .965    | 24.51 | .801   | 20.35 | .790   | 20.07 | —      | —     | —       | —     | —      | —     | —      | —     |
| E          | 1.335  | 33.91 | 1.115   | 28.32 | .951   | 24.16 | .940   | 23.88 | —      | —     | —       | —     | —      | —     | —      | —     |
| F          | 1.485  | 37.72 | 1.265   | 32.13 | 1.101  | 27.96 | 1.090  | 27.69 | —      | —     | —       | —     | —      | —     | —      | —     |
| H          | —      | —     | —       | —     | —      | —     | —      | —     | 2.175  | 55.25 | 1.800   | 45.72 | 1.450  | 36.83 | 1.440  | 36.58 |
| J          | 1.845  | 46.86 | 1.615   | 41.02 | 1.460  | 37.08 | 1.450  | 36.83 | —      | —     | —       | —     | —      | —     | —      | —     |
| K          | 2.240  | 56.90 | 2.015   | 51.18 | 1.860  | 47.24 | 1.840  | 46.74 | —      | —     | —       | —     | —      | —     | —      | —     |
| L          | —      | —     | —       | —     | —      | —     | —      | —     | 2.420  | 61.47 | 2.036   | 51.71 | 1.686  | 42.82 | 1.675  | 42.55 |

Dimensions in inches (millimeters) and are subject to change without notice.