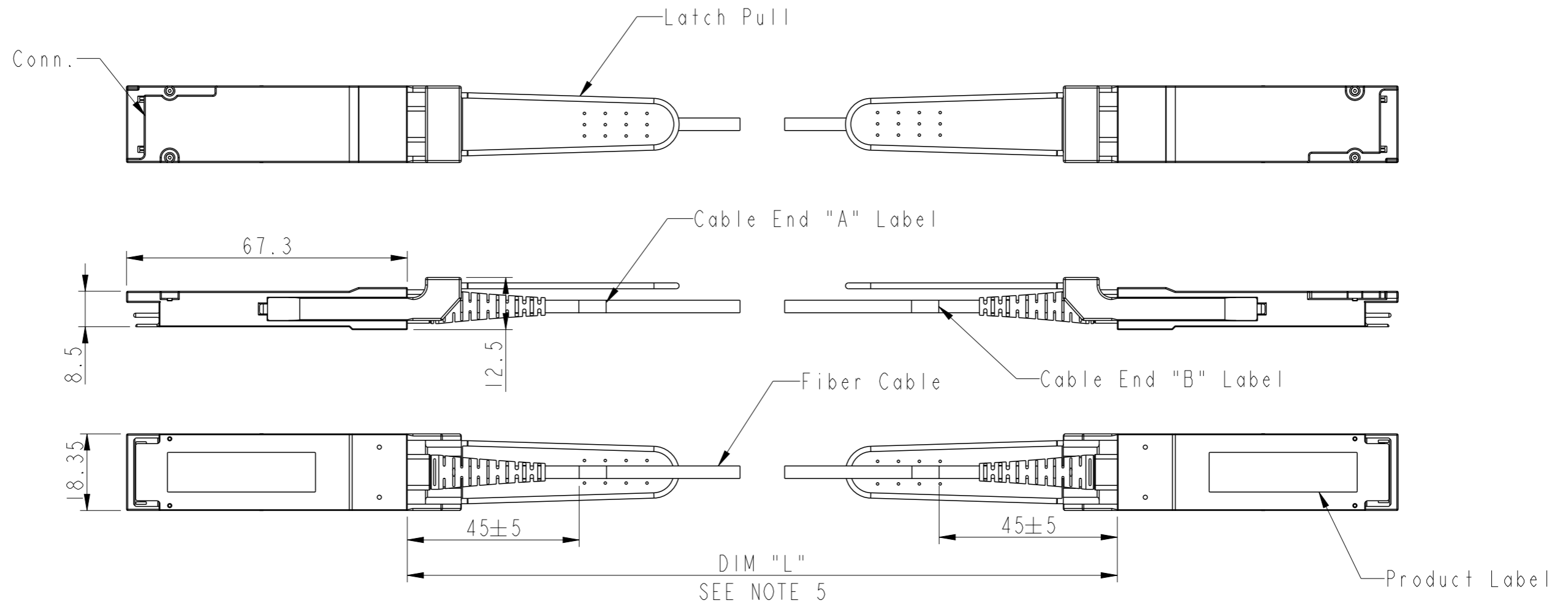


PART NUMBER

10138940-XX



NOTES:

- EEPROM SHALL BE PARTIAL WRITE ENABLED.
- MATERIAL:  
 COVERS : ZINC ALLOY/ COPPER UNDERPLATE/ NICKEL OVERPLATE  
 PULL TAB : TEAR RESISTANT PLASTIC  
 LATCH RELEASE: ZINC ALLOY/ COPPER UNDERPLATE/ NICKEL OVERPLATE  
 DRIVE SCREWS: STAINLESS STEEL  
 STRAIN RELIEF BOOT : THERMOPLASTIC  
 SPRING : STAINLESS STEEL  
 PCB: PRINTED CIRCUIT SUBSTRATE-FR4.  
 CONTACT AREA: GOLD:0.03UM MIN,PALLADIUM:0.3UM MIN,NICKEL:5UM MIN OVER COPPER  
 DUST COVER : POLY ETHYLENE  
 FIBER CABLE: WHEN 0<L<=20m, USE OM2 50/125 LSZH FIBER CABLE(ORANGE COLORED JACKET)  
 WHEN 20<L<=100m, USE OM3 50/125 LSZH FIBER CABLE(AQUA COLORED JACKET)  
 TOP & BOTTOM BLISTER (NOT SHOWN) : PET
- THIS PRODUCT MEETS THE RESTRICTION OF HAZARDOUS SUBSTANCES IN ELECTRICAL AND ELECTRONIC EQUIPMENT (RoHS).DIRECTIVE 2002/95/EC.
- THIS DIMENSION IS A FINISHED PRODUCT LENGTH.
- EACH END OF FIBER CABLE SHOULD MARKED WITH A/B ON SEPARATED LABEL TO DIFFERENTIATE.

PRODUCT NUMBER DESCRIPTION:

10138940 - XX

LENGTH  
 XX= METERS

EXAMPLE : 0E = 0.5 METERS (DIM "L")  
 1E = 1.5 METERS (DIM "L")  
 05 = 05 METERS (DIM "L")  
 C0 = 100 METERS (DIM "L")

| LENGTH TOLERANCE |         |
|------------------|---------|
| <20 M            | +5% / 0 |
| >=20 M           | +/- 2%  |

|                                       |                     |      |              |            |                |    |                        |                            |              |     |   |
|---------------------------------------|---------------------|------|--------------|------------|----------------|----|------------------------|----------------------------|--------------|-----|---|
| spec ref                              | -                   | dr   | Tony Leng    | 2016/03/03 | projection     | mm | size                   | A3                         | scale        | 1:1 |   |
| tolerance std                         | ISO 406<br>ISO 1101 | eng  | Sun Shine    | 2016/11/03 |                |    | ecn no                 | ELX-N-25266-1              |              |     |   |
| TOLERANCES UNLESS OTHERWISE SPECIFIED |                     | chr  | -            | -          |                |    | rel level              | Released                   |              |     |   |
| surface                               | linear              | appr | Wei-Zhong Hu | 2016/11/03 | product family | -  | dwg no                 | 10138940                   |              | rev | B |
|                                       | angular             |      |              |            |                |    |                        | STRAIGHT BOOT PRODUCT ASSY |              |     |   |
|                                       |                     |      |              |            |                |    |                        | QSFP+ AOC                  |              |     |   |
|                                       |                     |      |              |            | cat. no.       | -  | Product - Customer Drw |                            | sheet 1 of 3 |     |   |

WIRING TABLE

CONNECTOR SIDE 1

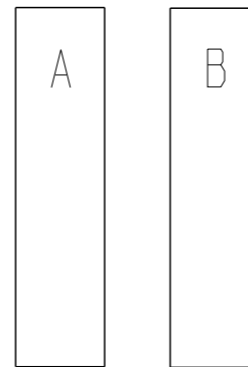
CONNECTOR SIDE 2

|         |    |
|---------|----|
| GND(TX) | 1  |
| TX2n    | 2  |
| TX2p    | 3  |
| GND(TX) | 4  |
| TX4n    | 5  |
| TX4p    | 6  |
| GND(TX) | 7  |
| GND(RX) | 13 |
| RX3p    | 14 |
| RX3n    | 15 |
| GND(RX) | 16 |
| RX1p    | 17 |
| RX1n    | 18 |
| GND(RX) | 19 |
| GND(RX) | 20 |
| RX2n    | 21 |
| RX2p    | 22 |
| GND(RX) | 23 |
| RX4n    | 24 |
| RX4p    | 25 |
| GND(RX) | 26 |
| GND(TX) | 32 |
| TX3p    | 33 |
| TX3n    | 34 |
| GND(TX) | 35 |
| TX1p    | 36 |
| TX1n    | 37 |
| GND(TX) | 38 |

|         |    |
|---------|----|
| GND(RX) | 20 |
| RX2n    | 21 |
| RX2p    | 22 |
| GND(RX) | 23 |
| RX4n    | 24 |
| RX4p    | 25 |
| GND(RX) | 26 |
| GND(TX) | 32 |
| TX3p    | 33 |
| TX3n    | 34 |
| GND(TX) | 35 |
| TX1p    | 36 |
| TX1n    | 37 |
| GND(TX) | 38 |
| GND(TX) | 1  |
| TX2n    | 2  |
| TX2p    | 3  |
| GND(TX) | 4  |
| TX4n    | 5  |
| TX4p    | 6  |
| GND(TX) | 7  |
| GND(RX) | 13 |
| RX3p    | 14 |
| RX3n    | 15 |
| GND(RX) | 16 |
| RX1p    | 17 |
| RX1n    | 18 |
| GND(RX) | 19 |

| LOW SPEED SIGNALS |         |
|-------------------|---------|
| SIDE 1 AND SIDE 2 |         |
| 8                 | ModSel1 |
| 9                 | Reset1  |
| 10                | VccRx   |
| 11                | SCL     |
| 12                | SDA     |
| 27                | ModPrs1 |
| 28                | In1     |
| 29                | VccTx   |
| 30                | Vcc1    |
| 31                | LPMODE  |

CABLE END LABEL



PRODUCT LABEL

SN CODE (DATA MATRIX)

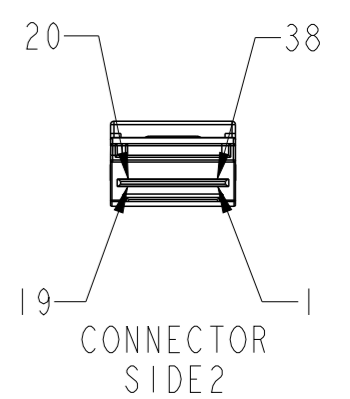
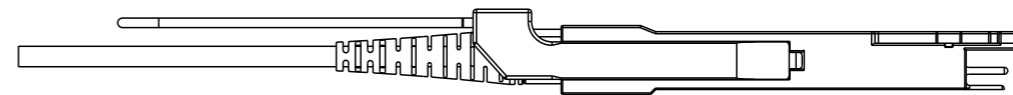
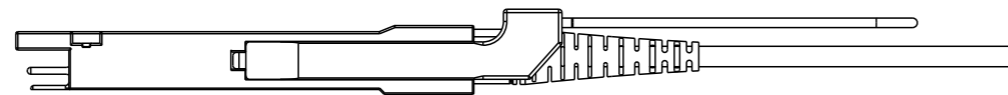
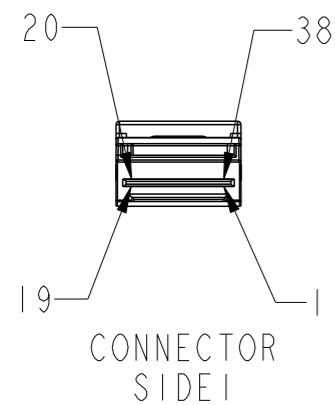
FCI PN:Tahoma,Bold,Size 4.5

SN:Tahoma,Bold,Size 4.5  
YY:2016--->16,2017--->17...

WW:WEEK OF THE YEAR  
A0001~A9999 STANDS FOR SIDE "A"  
B0001~B9999 STANDS FOR SIDE "B"

FONT:Tahoma,Size 4.0

FONT:Tahoma,size:4.0



|                                       |                     |      |           |                |            |   |        |               |           |          |
|---------------------------------------|---------------------|------|-----------|----------------|------------|---|--------|---------------|-----------|----------|
| spec ref                              | -                   | dr   | Tony Leng | 2016/03/03     | projection | mm                                      | size   | A3            | scale     | 1:1      |
| tolerance std                         | ISO 406<br>ISO 1101 | eng  | Sun Shine | 2016/11/03     |            |   | ecn no | ELX-N-25266-1 |           |          |
| TOLERANCES UNLESS OTHERWISE SPECIFIED |                     | chr  | -         | product family |            |   |        | -             | rel level | Released |
| surface                               | linear              | 0.X  | ±0.3      |                |            | STRAIGHT BOOT PRODUCT ASSY<br>QSFP+ AOC | dwg no | 10138940      |           |          |
|                                       |                     | 0.XX | ±0.10     |                |            |   |        | rev           | B         |          |
| ISO 1302                              | angular             | 0°   | ±2°       |                |            |   |        |               | cat. no.  | -        |

### TRAY LABEL



**QSFP+ AOC**      QTY=1

**PN: 10138940-XX**



**SN: GNYYWW-CXXXX**



Made in China

Class I Laser Product  
21 CFR 1040.10 & 1040.11  
IEC 60825-1:2007



FONT:Tahoma,Size 9  
 PRODUCT DESCRIPTION  
 Tahoma,Bold,Size 9  
 PN:Tahoma,Bold,Size 9  
  
 SN:Tahoma,Bold,Size 9  
 YY:2016--->16,2017--->17...  
 WW:WEEK OF THE YEAR  
 CXXXX:C0001~C9999

MANUFACTURING PLACE  
 Tahoma,Size 9


FONT:Tahoma,SIZE:6

### CARTON LABEL




**QSFP+ AOC**      QTY=X

**PN: 10138940-XX**



Made in China

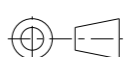
Class I Laser Product  
21 CFR 1040.10 & 1040.11  
IEC 60825-1:2007



FONT:Tahoma,Size 9  
 PRODUCT DESCRIPTION  
 Tahoma,Bold,Size 9  
 PN:Tahoma,Bold,Size 9

MANUFACTURING PLACE  
 Tahoma,Size 9

FONT:Tahoma,SIZE:6

|                                       |  |              |              |                            |   |                        |           |              |               |     |
|---------------------------------------|--|--------------|--------------|----------------------------|---|------------------------|-----------|--------------|---------------|-----|
| spec ref                              | -                                      | dr           | Tony Leng    | 2016/03/03                 | projection  | mm                     | size      | A3           | scale         | 1:1 |
| tolerance std                         | ISO 406<br>ISO 1101                    | eng          | Sun Shine    | 2016/11/03                 |  | ← →                    | ecn no    |              | ELX-N-25266-1 |     |
| TOLERANCES UNLESS OTHERWISE SPECIFIED |  | chr          | -            | -                          |   |                        | rel level |              | Released      |     |
| surface                               | linear                                 | appr         | Wei-Zhong Hu | 2016/11/03                 | product family  | -                      | dwg no    |              | 10138940      |     |
|                                       | angular                                | Amphenol FCI |              | STRAIGHT BOOT PRODUCT ASSY |   | rev                    |           | B            |               |     |
| ISO 1302                              | 0.X ±0.3<br>0.XX ±0.10<br>0.XXX ±0.005 | cat. no.     |              | -                          |   | Product - Customer Drw |           | sheet 3 of 3 |               |     |