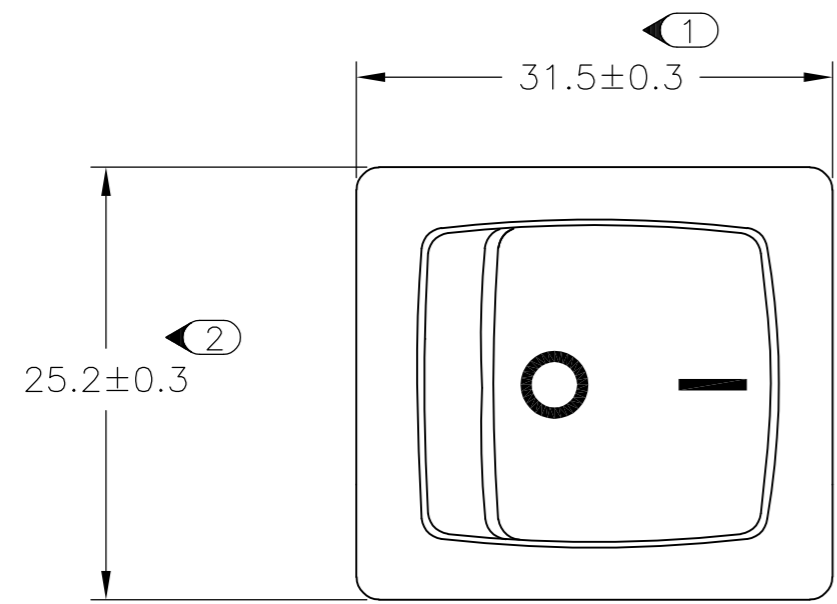
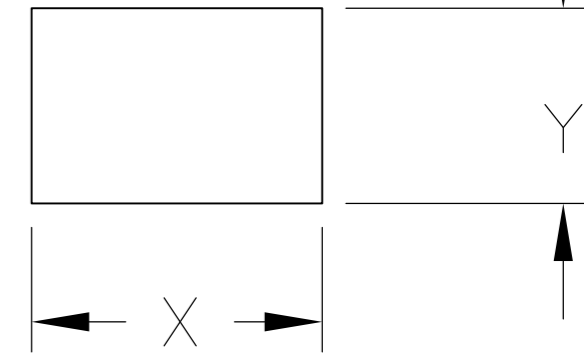


THIS DRAWING IS UNPUBLISHED. RELEASED FOR PUBLICATION 30/OCT ,2003.  
 © COPYRIGHT 2003 By - ALL RIGHTS RESERVED.

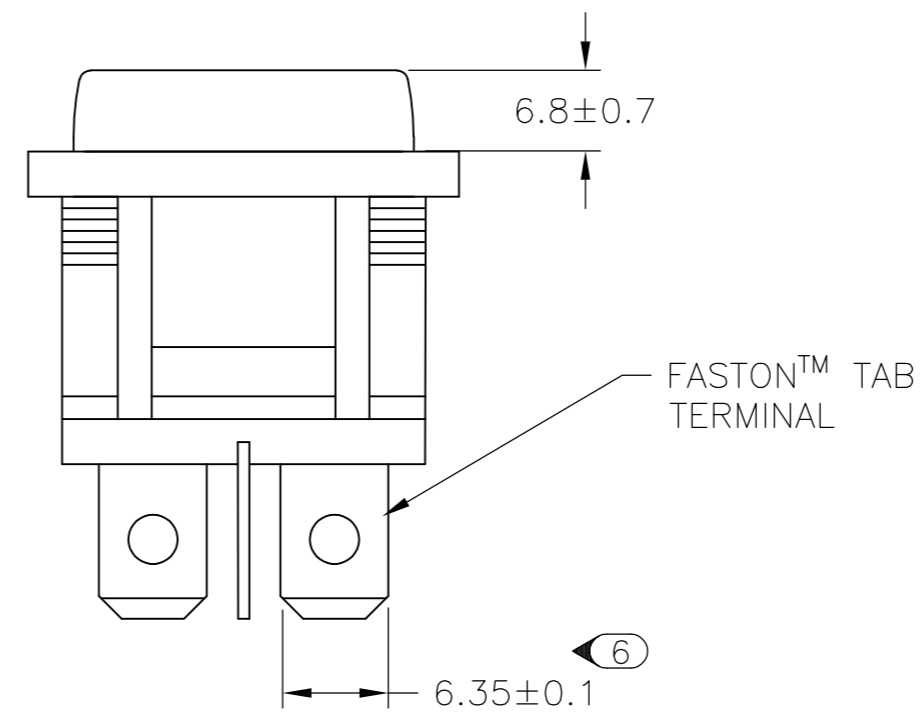
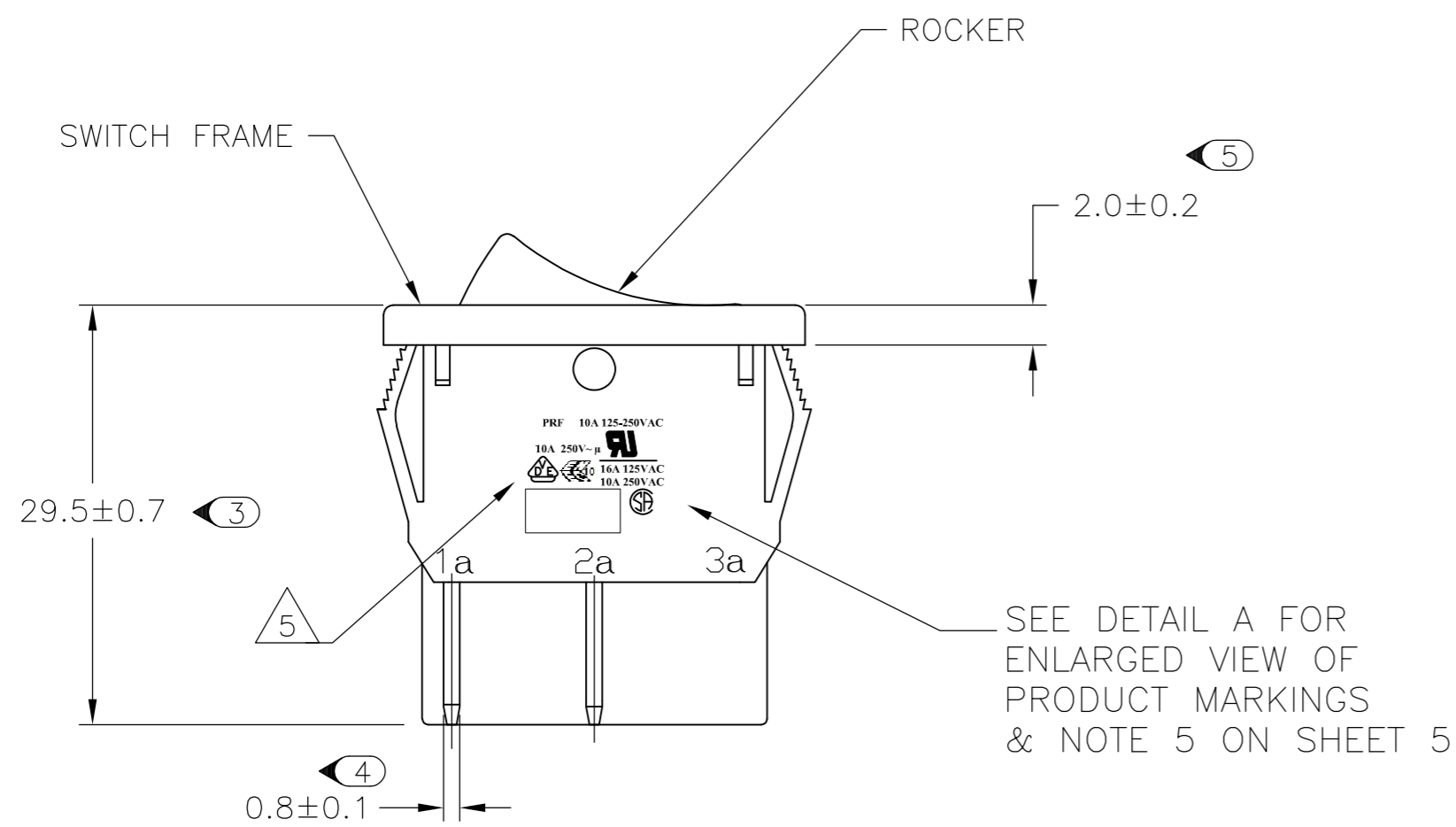
REVISIONS					
P	LTR	DESCRIPTION	DATE	DWN	APVD
D		REVISED PER ECO-10-025607	21DEC10	HMR	MW
D1		REVISED PER ECO-16-017354	10MAR2017	RK	AS



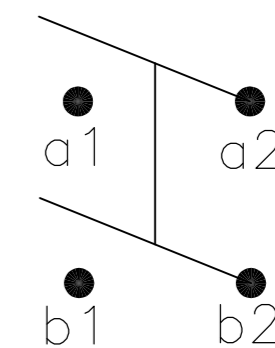
PANEL CUT OUT



2.00-3.00	30.20	22.20
1.25-2.00	30.20	22.20
0.75-1.25	30.20	22.20
PANEL THICKNESS	X	Y



CIRCUIT DIAGRAM



PRODUCT MARKING

DETAIL A

PRF 10A 125-250VAC

10A 250V~μ

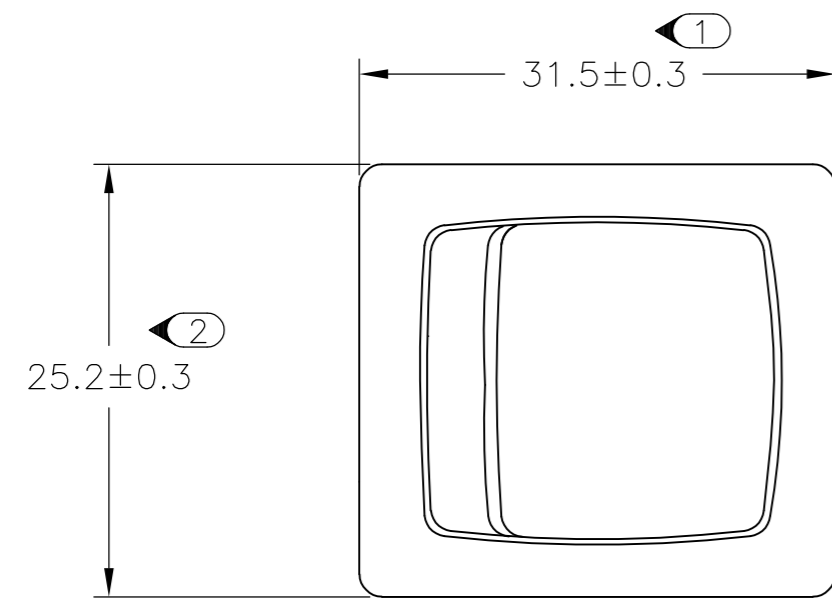
16A 125VAC  
10A 250VAC

TYCO ELECTRONICS LOGO PER TEC-202-36

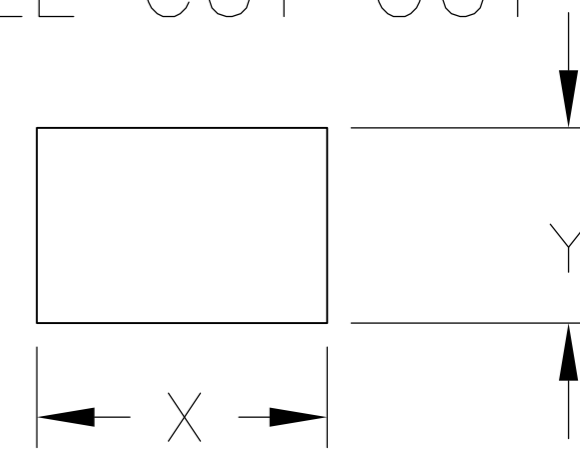
1634201-2 SHOWN ON-OFF

THIS DRAWING IS A CONTROLLED DOCUMENT.		DWN S.SHACKSON 28JAN2003	TE Connectivity	
DIMENSIONS: MM		CHK H.KAUTZ 28JAN2003		
TOLERANCES UNLESS OTHERWISE SPECIFIED:		APVD H.KAUTZ 28JAN2003	NAME POWER ROCKER SWITCH, 30.2mm X 22.2mm PANEL SIZE, DPST, NON-ILLUMINATED	
0 PLC ± - 1 PLC ± 0.5 2 PLC ± - 3 PLC ± - 4 PLC ± - ANGLES ± - FINISH		PRODUCT SPEC NOT APPLICABLE	SIZE A2	CAGE CODE 00779
MATERIAL		APPLICATION SPEC NOT APPLICABLE	DRAWING NO C=1634201	RESTRICTED TO -
CUSTOMER DRAWING			SCALE 3:1	SHEET 1 OF 5
			REV D1	

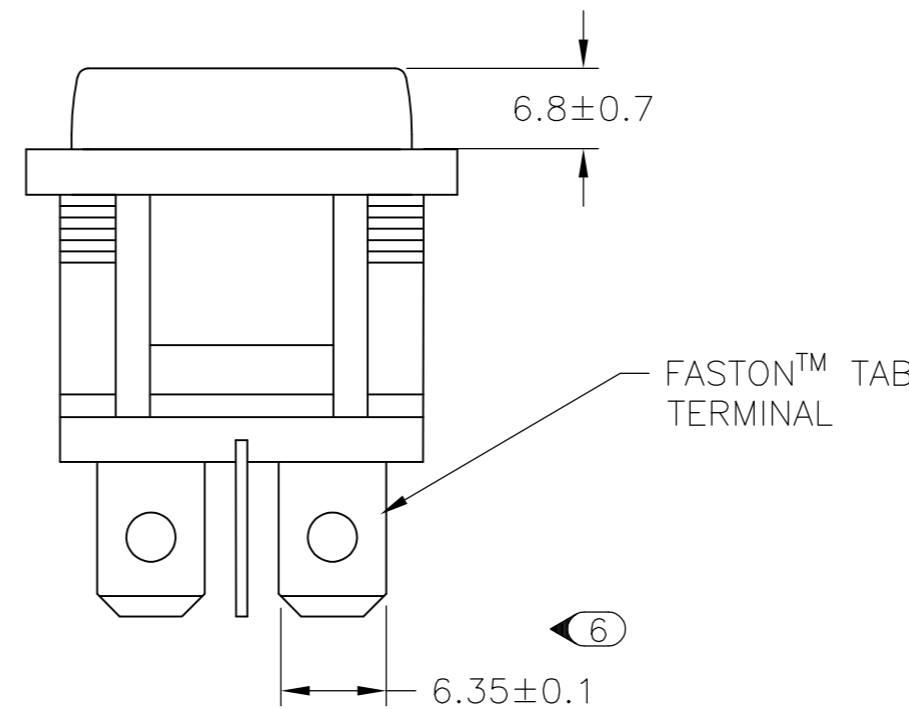
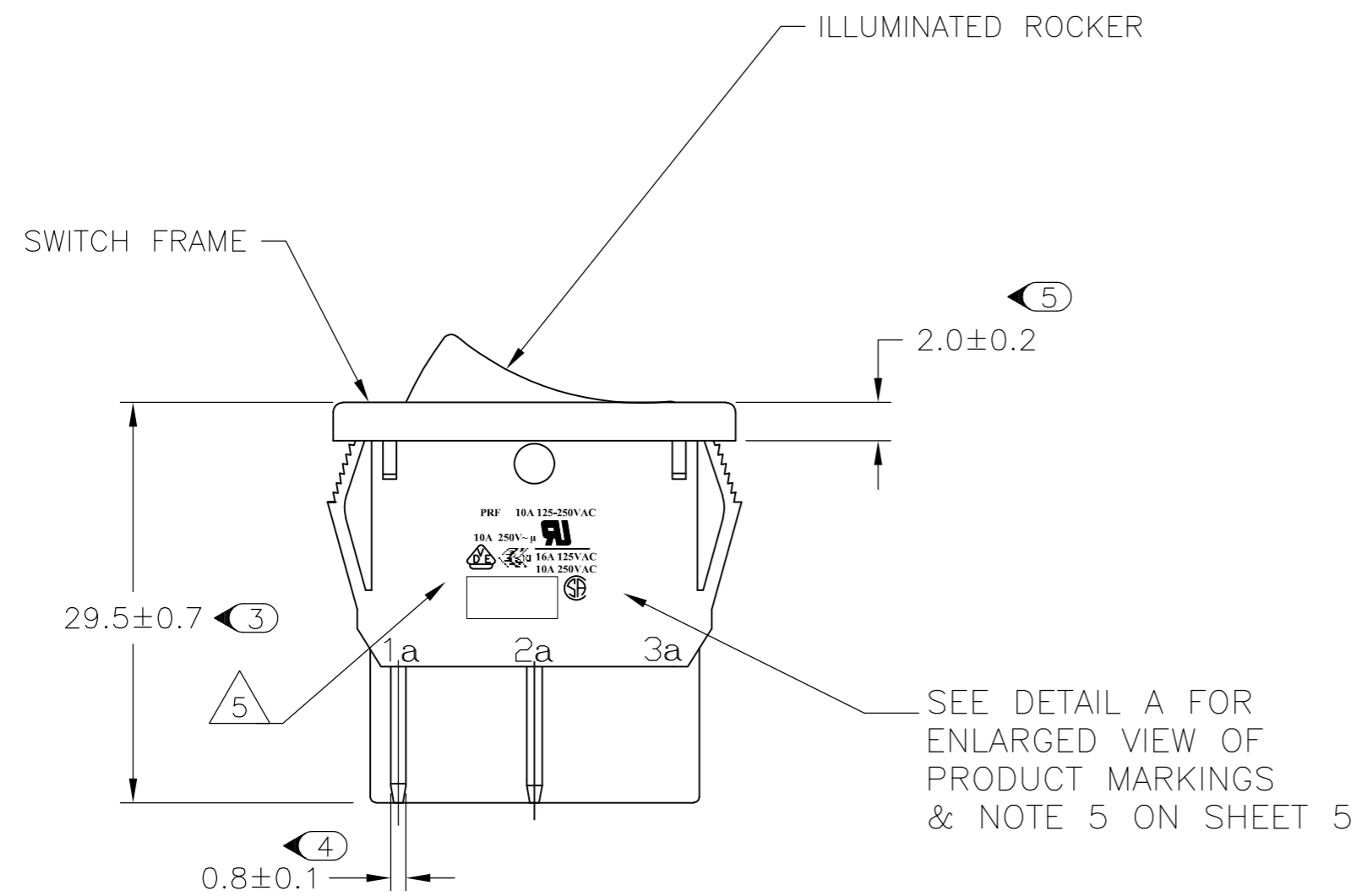
REVISIONS				
P	LTR	DESCRIPTION	DATE	APVD
-	-	SEE SHEET 1	-	-



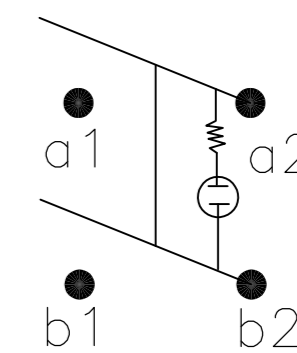
PANEL CUT OUT



2.00-3.00	30.20	22.20
1.25-2.00	30.20	22.20
0.75-1.25	30.20	22.20
PANEL THICKNESS	X	Y

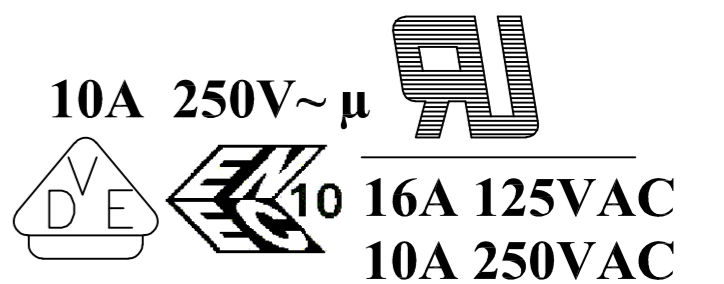


CIRCUIT DIAGRAM



PRODUCT MARKING  
DETAIL A

PRF 10A 125-250VAC



TYCO ELECTRONICS LOGO PER TEC-202-36

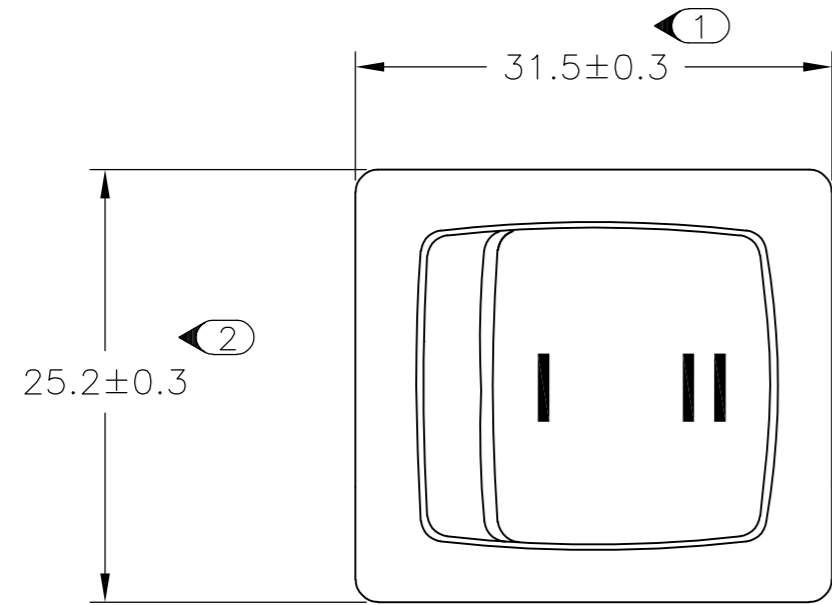


1634201-5 SHOWN ON-OFF GREEN ILLUMINATED

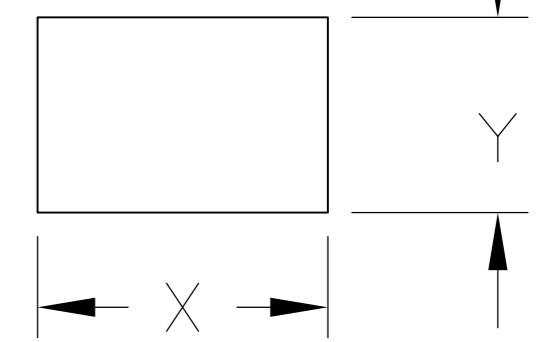
THIS DRAWING IS A CONTROLLED DOCUMENT.		DWN S.SHACKSON 28JAN2003		
DIMENSIONS: MM		CHK H.KAUTZ 28JAN2003		
TOLERANCES UNLESS OTHERWISE SPECIFIED:		APVD H.KAUTZ 28JAN2003	NAME POWER ROCKER SWITCH, 30.2mm X 22.2mm PANEL SIZE, DPST, NON-ILLUMINATED	
0 PLC ± -		PRODUCT SPEC	NOT APPLICABLE	
1 PLC ± 0.5		APPLICATION SPEC	NOT APPLICABLE	
2 PLC ± -		WEIGHT	-	
3 PLC ± -		FINISH	-	
4 PLC ± -		SCALE	3:1	
ANGLES ± -		SHEET	2 OF 5	
MATERIAL		CUSTOMER DRAWING	REV D1	
		SIZE	A2	
		CAGE CODE	00779	
		DRAWING NO	C=1634201	
		RESTRICTED TO	-	

THIS DRAWING IS UNPUBLISHED. RELEASED FOR PUBLICATION 30/OCT ,2003.  
 © COPYRIGHT 2003 By - ALL RIGHTS RESERVED.

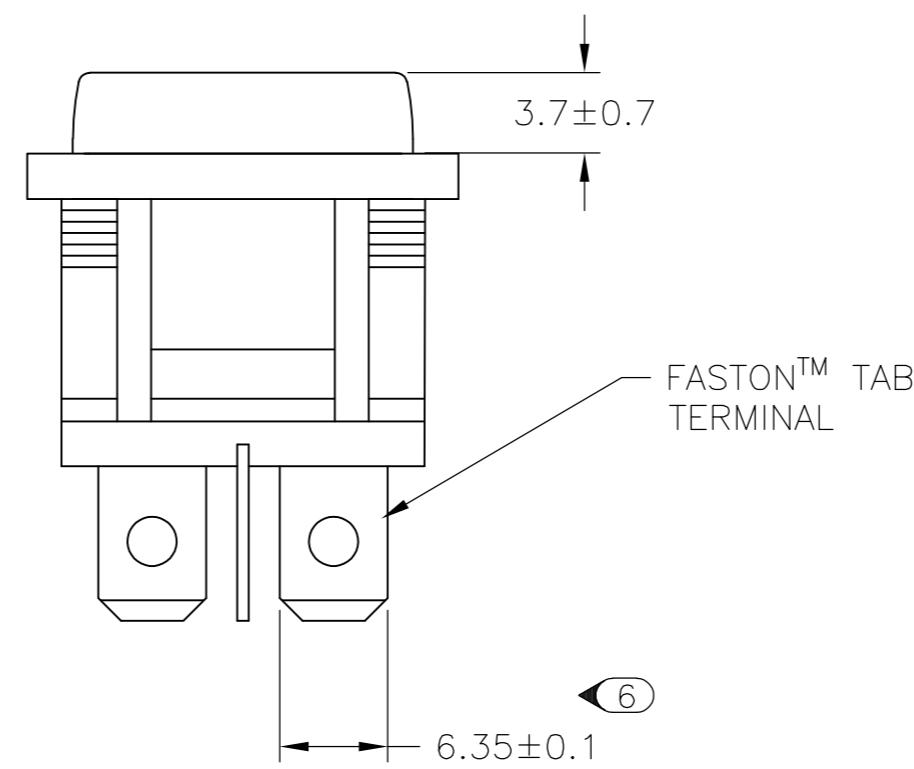
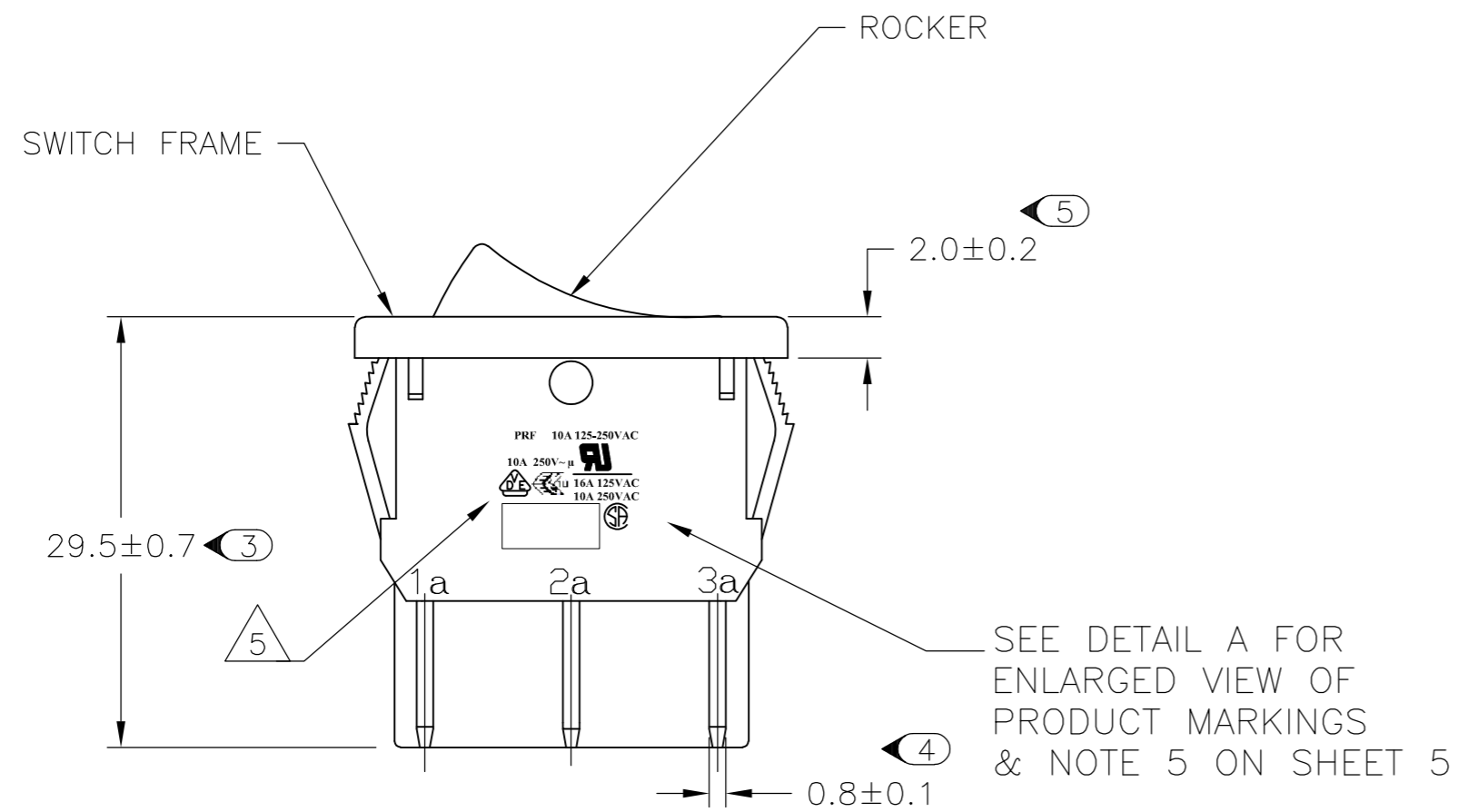
REVISIONS					
P	LTR	DESCRIPTION	DATE	DWN	APVD
-	-	SEE SHEET 1	-	-	-



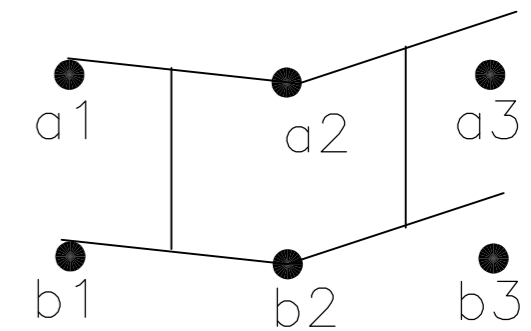
PANEL CUT OUT



2.00-3.00	30.20	22.20
1.25-2.00	30.20	22.20
0.75-1.25	30.20	22.20
PANEL THICKNESS	X	Y



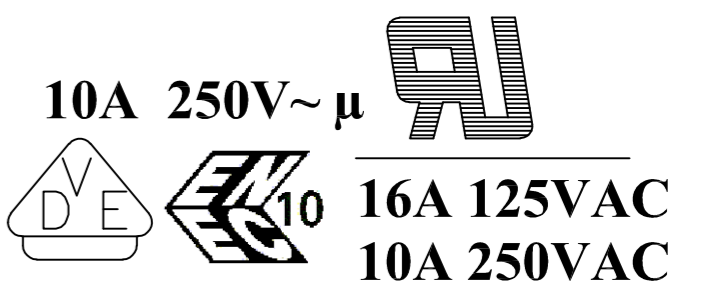
CIRCUIT DIAGRAM



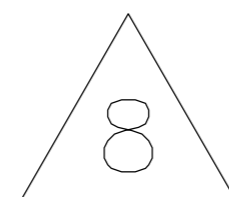
PRODUCT MARKING

DETAIL A

PRF 10A 125-250VAC



TYCO ELECTRONICS LOGO PER TEC-202-36



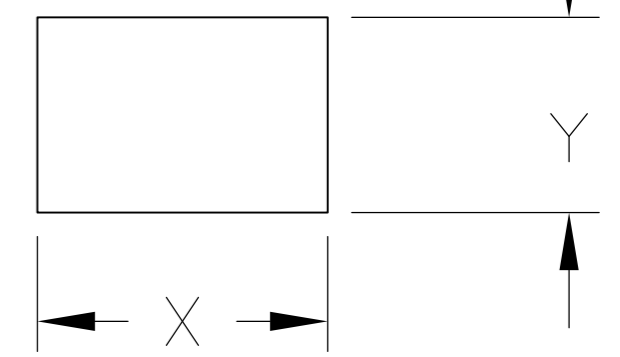
OBSOLETE  
~~1634201-8~~ SHOWN ON-ON

THIS DRAWING IS A CONTROLLED DOCUMENT.		DWN S.SHACKSON 28JAN2003	TE Connectivity	
DIMENSIONS: MM		CHK H.KAUTZ 28JAN2003		
TOLERANCES UNLESS OTHERWISE SPECIFIED:		APVD H.KAUTZ 28JAN2003	NAME POWER ROCKER SWITCH, 30.2mm X 22.2mm PANEL SIZE, DPST, NON-ILLUMINATED	
0 PLC ± -		PRODUCT SPEC	RESTRICTED TO	
1 PLC ± 0.5		APPLICATION SPEC	SIZE CAGE CODE DRAWING NO	
2 PLC ±		NOT APPLICABLE	A2 00779 C=1634201	
3 PLC ± -		WEIGHT	SCALE 3:1 SHEET 3 OF 5 REV D1	
4 PLC ± -		FINISH		
ANGLES ± -				
MATERIAL		CUSTOMER DRAWING		

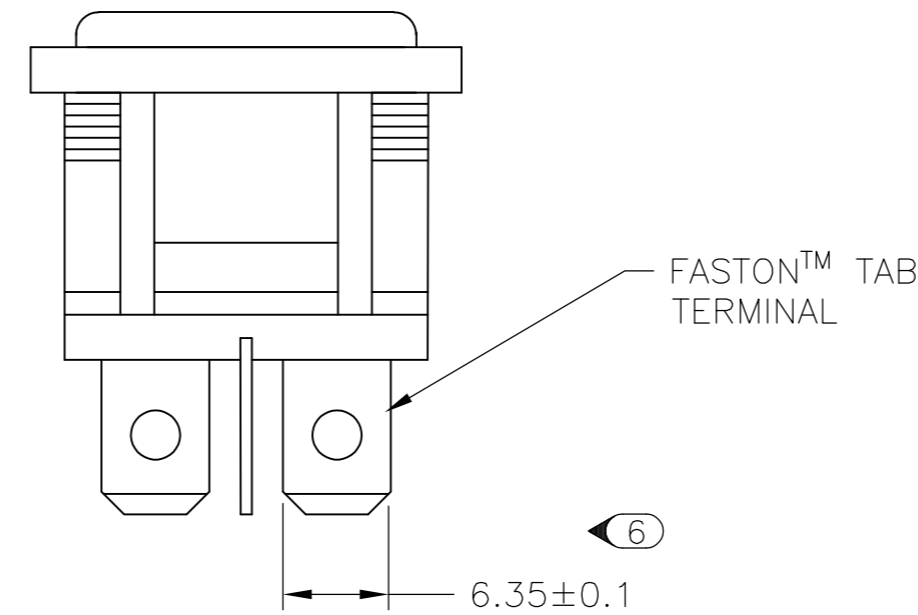
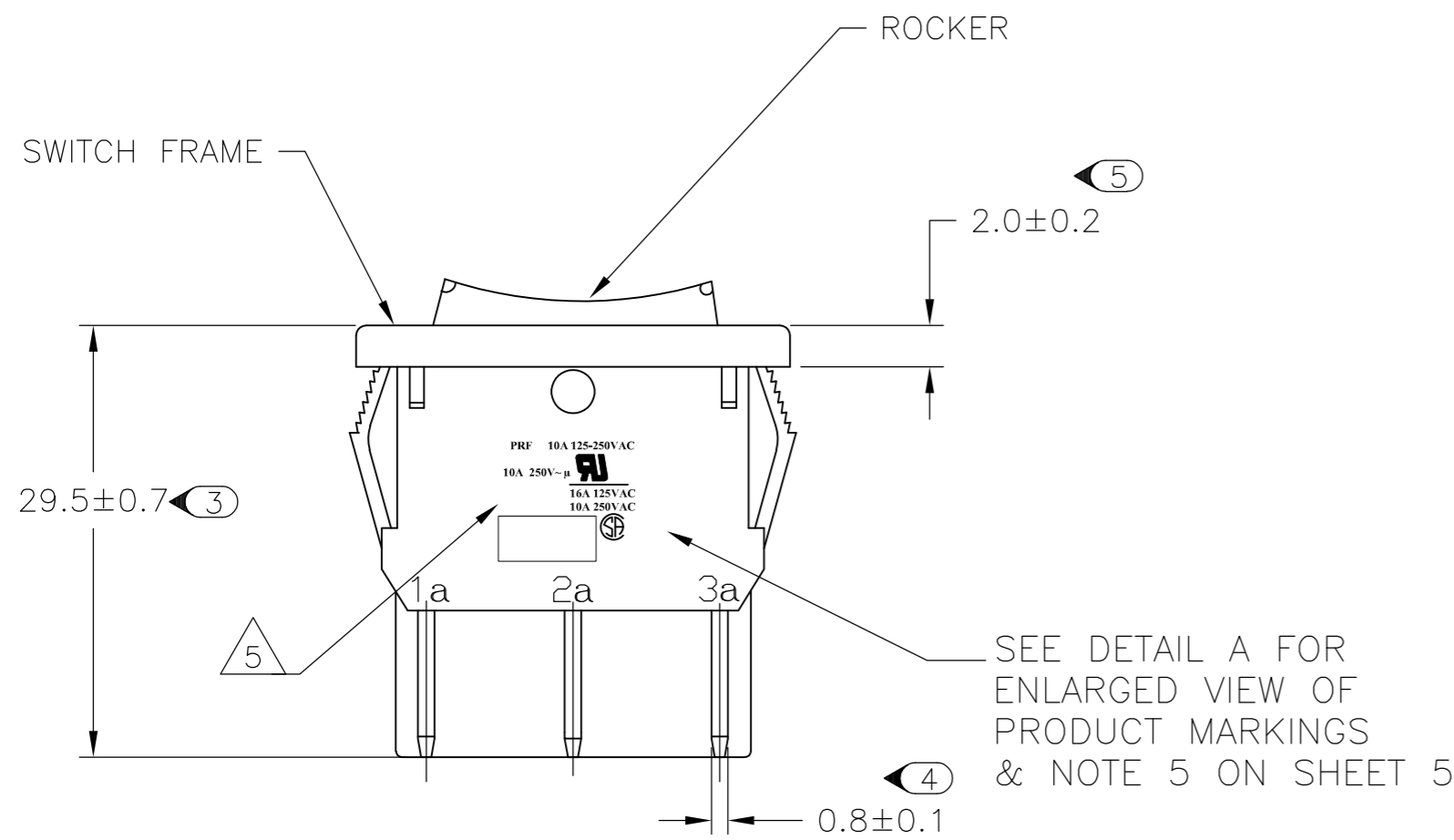
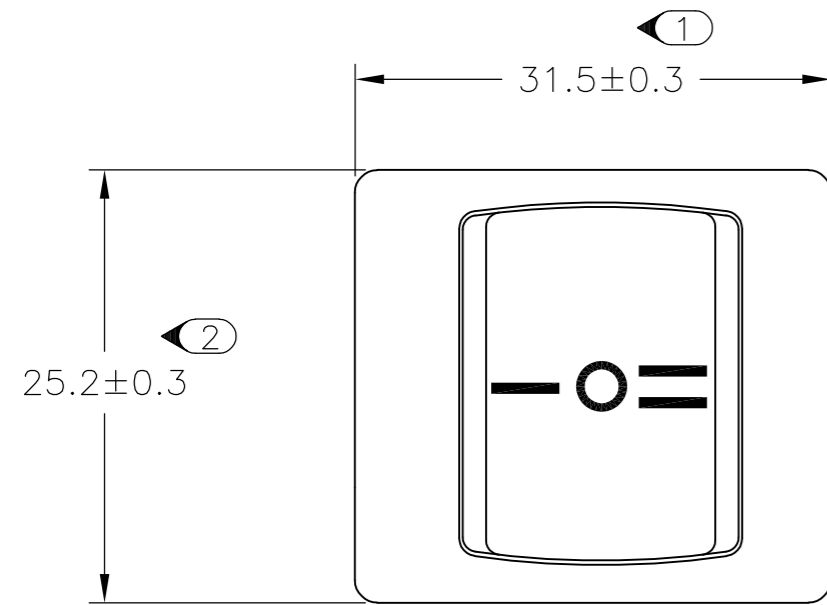
THIS DRAWING IS UNPUBLISHED. RELEASED FOR PUBLICATION 30/OCT ,2003.  
 © COPYRIGHT 2003 By - ALL RIGHTS RESERVED.

REVISIONS				
P	LTR	DESCRIPTION	DATE	APVD
-	-	SEE SHEET 1	-	-

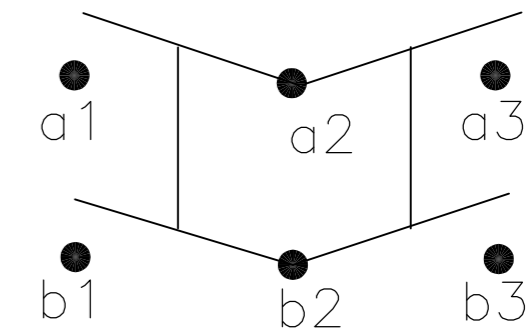
### PANEL CUT OUT




2.00-3.00	30.20	22.20
1.25-2.00	30.20	22.20
0.75-1.25	30.20	22.20
PANEL THICKNESS	X	Y



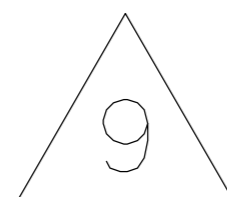
### CIRCUIT DIAGRAM




### PRODUCT MARKING DETAIL A

**PRF 10A 125-250VAC**  
**10A 250V~μ**   
**16A 125VAC**  
**10A 250VAC**

TYCO ELECTRONICS LOGO  
PER TEC-202-36

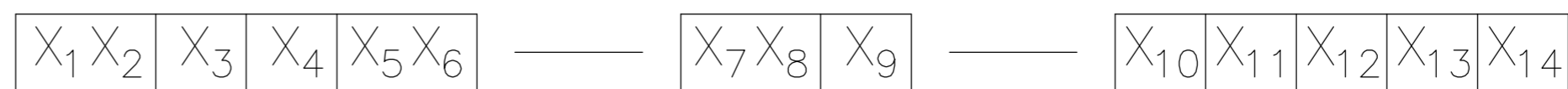


1-1634201-2 SHOWN ON-OFF-ON

THIS DRAWING IS A CONTROLLED DOCUMENT.		DWN S.SHACKSON 28JAN2003	 TE Connectivity	
DIMENSIONS: MM		CHK H.KAUTZ 28JAN2003		
TOLERANCES UNLESS OTHERWISE SPECIFIED:		APVD H.KAUTZ 28JAN2003	NAME POWER ROCKER SWITCH, 30.2mm X 22.2mm PANEL SIZE, DPST, NON-ILLUMINATED	
0 PLC ± -		PRODUCT SPEC	RESTRICTED TO	
1 PLC ± 0.5		APPLICATION SPEC	SIZE A2	
2 PLC ± -		WEIGHT -	CAGE CODE 00779	
3 PLC ± -		FINISH	DRAWING NO C=1634201	
4 PLC ± -			SCALE 3:1	
ANGLES ± -			SHEET 4 OF 5	
MATERIAL			REV D1	
		CUSTOMER DRAWING		

REVISIONS				
P	LTR	DESCRIPTION	DATE	APVD
-	-	SEE SHEET 1	-	-

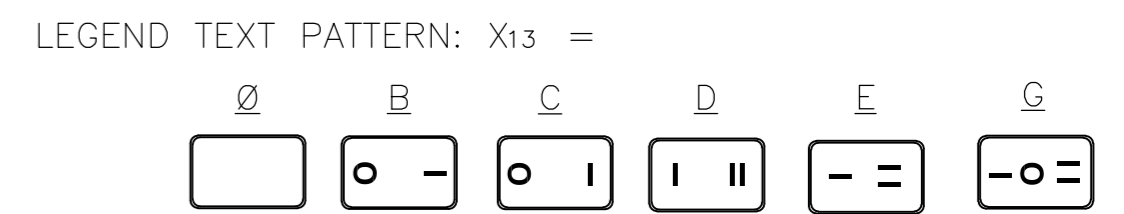
### ALCOSWITCH PART NUMBER



- 1 MATERIALS:  
HOUSING FRAME: NYLON 66.  
ACTUATOR: NYLON 66/ PC(ILLUMINATED)  
TERMINALS C1100R-1/2H WITH SILVER PLATED CONTACTS AgALLOY
- 2 FINISH:  
TERMINAL, ACTIVE CONTACTOR: 1.0µm [.000039] SILVER  
PLUNGER: 3.0mm[.000118] NICKEL
- 3 ELECTRICAL SPECIFICATIONS:  
CONTACT RESISTANCE : 50m ohm Max  
DIELECTRIC STRENGTH : AC 1500V, 1 MINUTE  
OPERATION TEMPERATURE: -20°C~85°C  
INSULATION R: DC 500V 100M ohm MIN
- 4 CURRENT AND VOLTAGE 16A@125VAC/10A@250VAC
- 5 ELECTRICAL RATINGS, APPROVED AGENCY LOGOS,  
TE LOGO PER TEC-202-36 APPROXIMATELY AS SHOWN  
AND PART NUMBER CAN APPEAR ON EITHER SIDE  
(FOR FULL DETAIL SEE INDIVIDUAL DRAWING)
- 6 ON-OFF, WITH OPAQUE, SINGLE-COLOR ROCKER BUTTON.
- 7 ON-OFF, WITH TRANSPARENT, LAMP-ILLUMINATED ROCKER BUTTON.
- 8 ON-ON, WITH OPAQUE, SINGLE-COLOR ROCKER BUTTON.
- 9 ON-OFF-ON, WITH OPAQUE, SINGLE-COLOR ROCKER BUTTON.
- 10 PACKAGING TO CONFORM WITH TYCO SPEC. 107-115
- 11 REFER TO QIP DIMENSIONAL REPORT
- 12 COMPONENT RECOGNIZED TO EUROPEAN STANDARDS (ENEC, PENDING VDE).  
MARKS LICENSE No. 40006757

SWITCH TYPE: X1 X2 = PR - POWER ROCKER  
 NOMINAL PANEL CUT OUT SIZE: X3 = F - 30.2X22.2 [.1.189x.874]  
 NUMBER OF POLES: X4 = D - DOUBLE  
 SWITCH FUNCTION: X5 X6 = A1 -   
B1 -   
D1 -   
D3 -   
 CURRENT RATING: X7 X8 = 16 -   
 TERMINAL TYPE: X9 = F - FASTON™ TAB  
 FRAME COLOR: X10 = B - BLACK  
W - WHITE  
 ROCKER COLOR: X11 = B - BLACK  
G - GREEN  
R - RED  
Y - YELLOW

SECONDARY ROCKER COLOR: X12 = Ø - NOT APPLICABLE  
B - BLACK  
G - GREEN  
R - RED  
W - WHITE



LEGEND TEXT COLOR: X14 = Ø - NOT APPLICABLE  
G - GREEN  
R - RED  
B - BLACK  
W - WHITE

SHEET REF	ALCO SWITCH PART NUMBER.	TE PART NUMBER.
	1 PRFDA 1-16F-BB000	0-1634201-1
	1 PRFDA 1-16F-BB0BW	0-1634201-2
	1 PRFDA 1-16F-BB0CW	0-1634201-3
	2 PRFDB 1-16F-BR000	0-1634201-4
	2 PRFDB 1-16F-BG000	0-1634201-5
	2 PRFDB 1-16F-BY000	0-1634201-6
	3 PRFDD 1-16F-BB000	0-1634201-7
OBSOLETE	3 PRFDD 1-16F-BB0DW	0-1634201-8
	3 PRFDD 1-16F-BB0EW	0-1634201-9
	4 PRFDD 3-16F-BB000	1-1634201-0
OBSOLETE	4 PRFDD 3-16F-BB0EW	1-1634201-1
	4 PRFDD 3-16F-BB0GW	1-1634201-2

THIS DRAWING IS A CONTROLLED DOCUMENT.		DWN S.SHACKSON 28JAN2003	TE Connectivity	
DIMENSIONS: MM		CHK H.KAUTZ 28JAN2003		
TOLERANCES UNLESS OTHERWISE SPECIFIED:		APVD H.KAUTZ 28JAN2003	NAME POWER ROCKER SWITCH, 30.2mm X 22.2mm PANEL SIZE, DPST, NON-ILLUMINATED	
0 PLC ± -		PRODUCT SPEC	NOT APPLICABLE	
1 PLC ± 0.5		APPLICATION SPEC	NOT APPLICABLE	
2 PLC ± -		SIZE	A2	CAGE CODE
3 PLC ± -		WEIGHT	-	DRAWING NO
4 PLC ± -		SCALE	3:1	SHEET
ANGLES ± -		REV	D1	RESTRICTED TO
FINISH		CUSTOMER DRAWING	SCALE 3:1	SHEET 5 OF 5