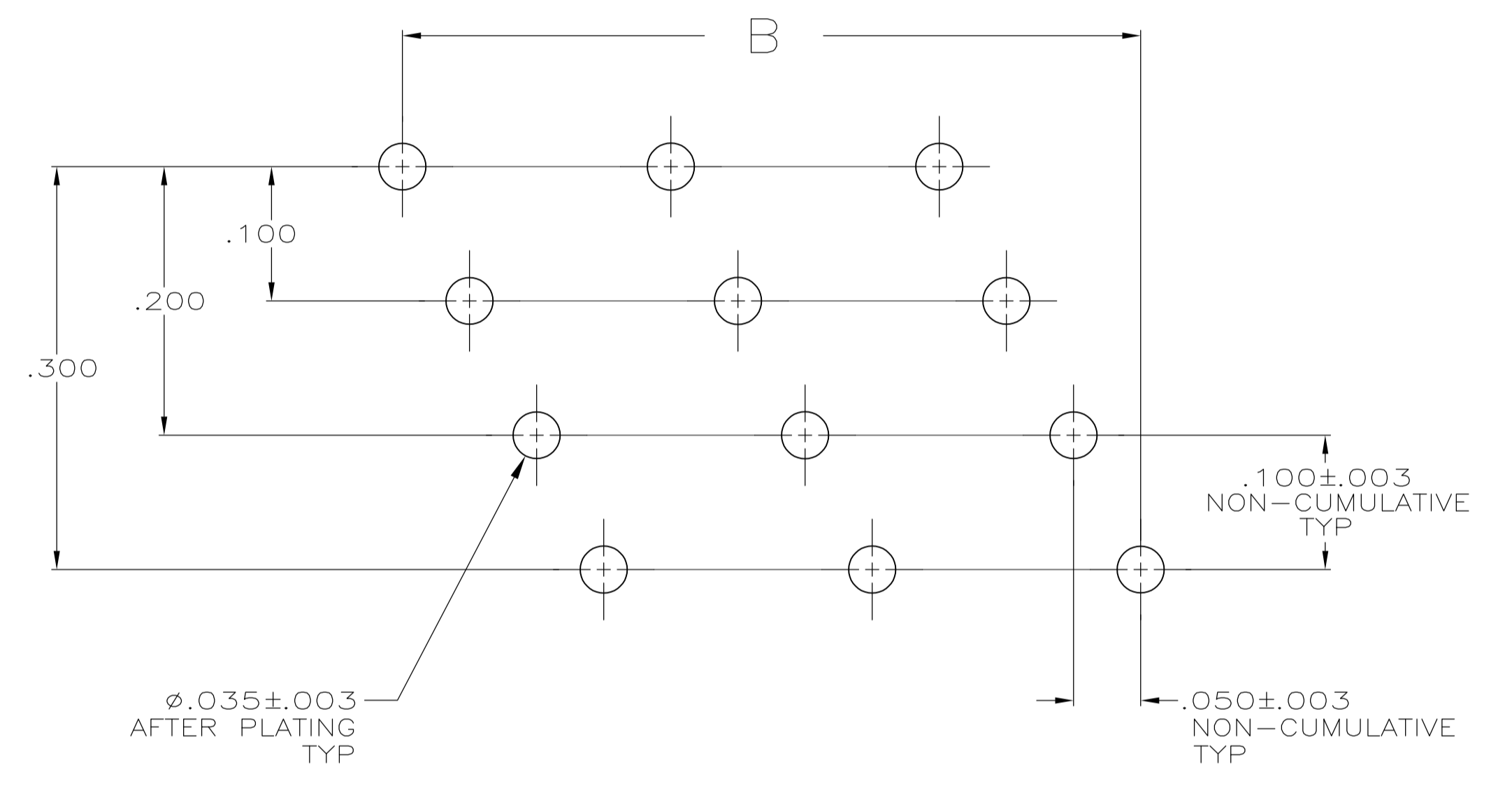
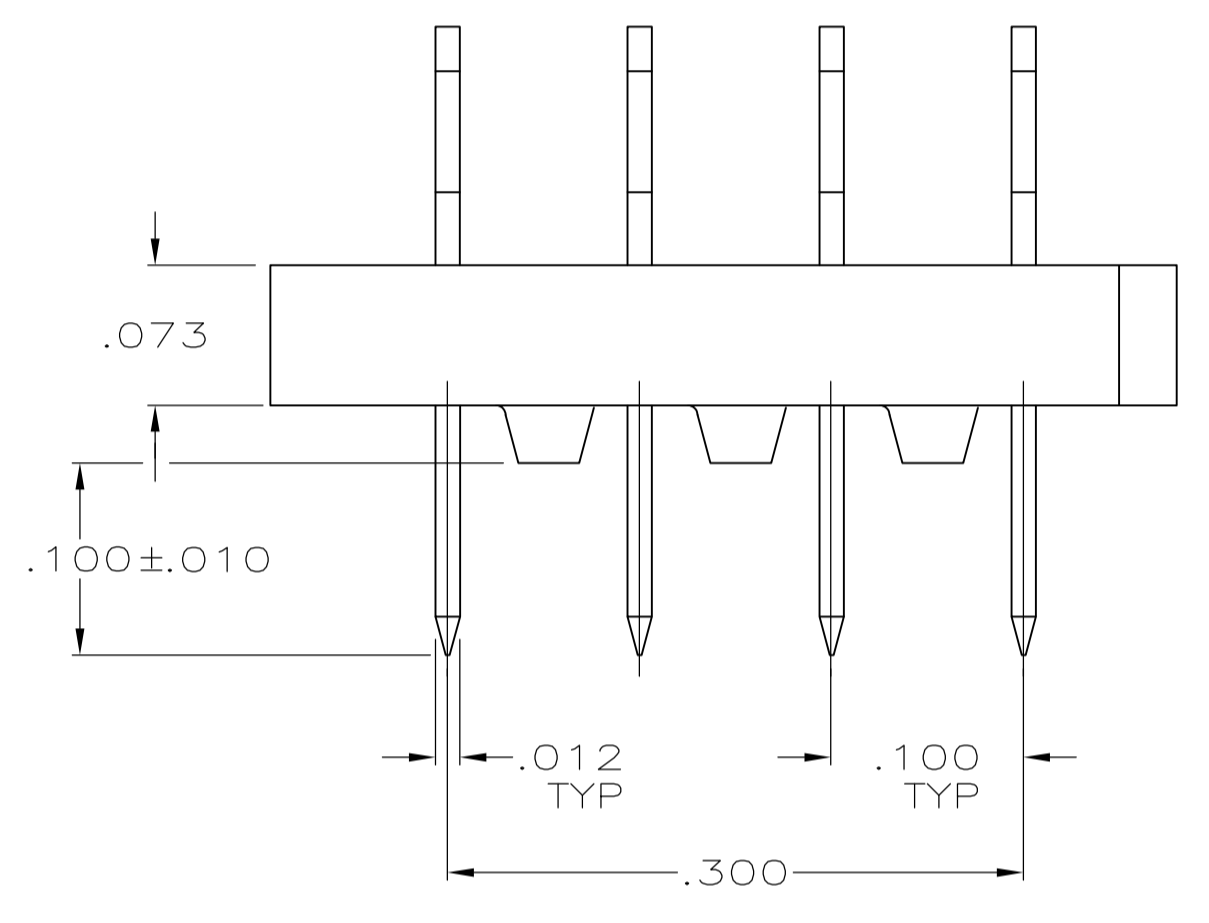
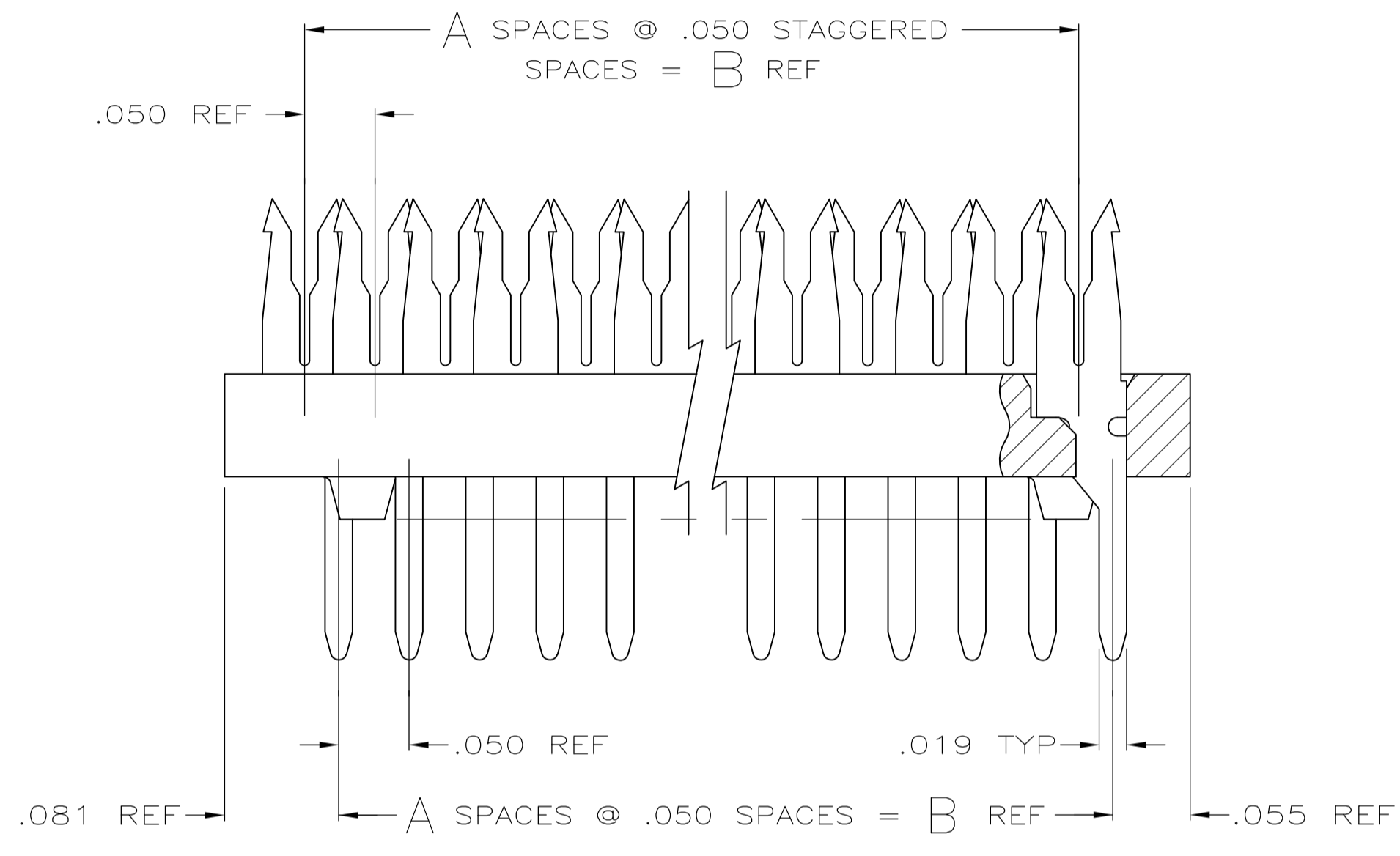
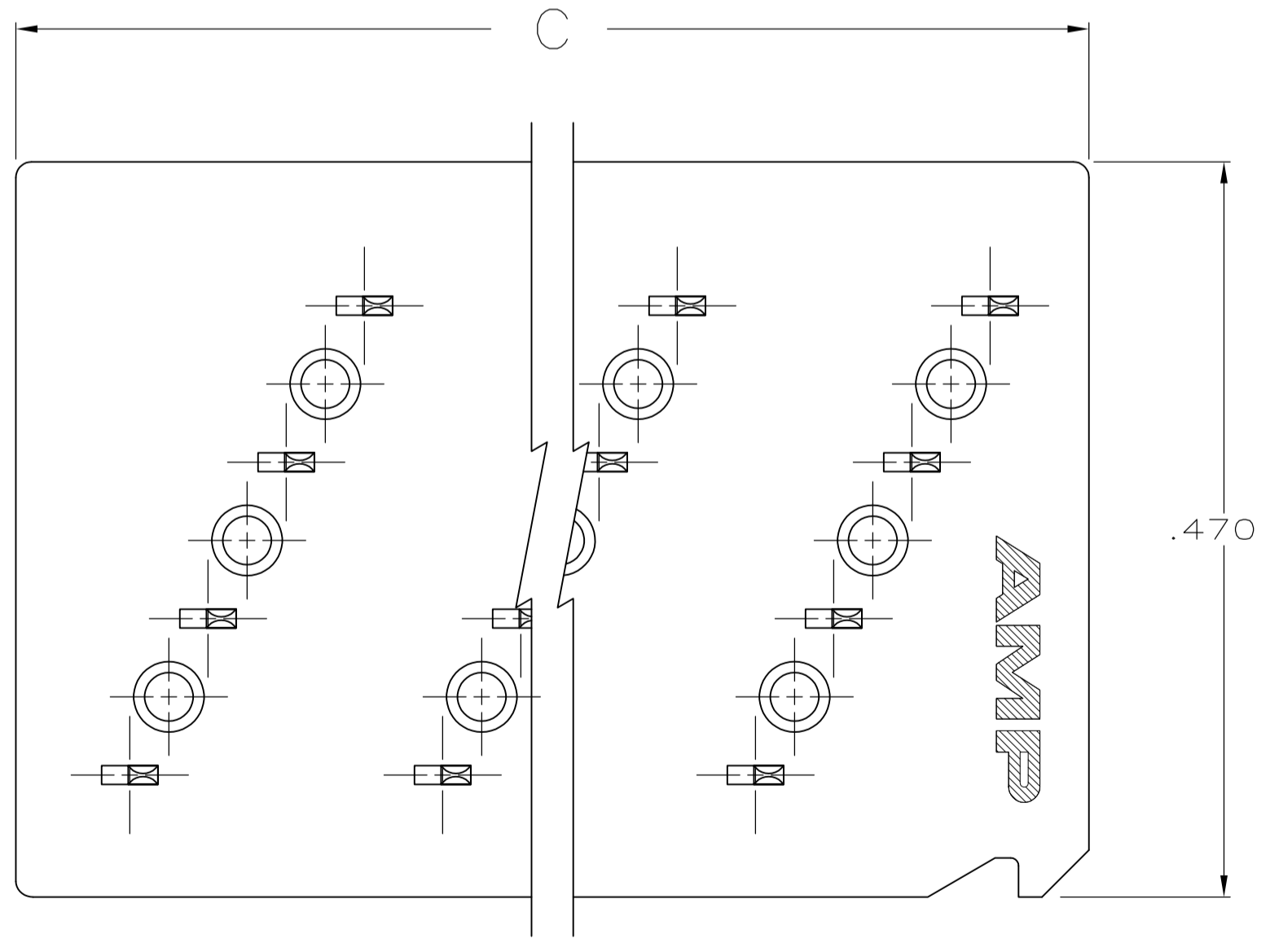


1. ALL PARTS ASSEMBLED BY TYCO ELECTRONICS CORP.
2. STANDOFFS: POSN 12 (9) STANDOFFS AS SHOWN.  
 POSN 16 (12) STANDOFFS, 3 PER DIAGONAL ROW.  
 POSN 20 (15) STANDOFFS, 3 PER DIAGONAL ROW.  
 POSN 24 (18) STANDOFFS, 3 PER DIAGONAL ROW.  
 POSN 28 (21) STANDOFFS, 3 PER DIAGONAL ROW.  
 POSN 32 (24) STANDOFFS, 3 PER DIAGONAL ROW.  
 POSN 36 (27) STANDOFFS, 3 PER DIAGONAL ROW.  
 POSN 40 (30) STANDOFFS, 3 PER DIAGONAL ROW.  
 POSN 44 (33) STANDOFFS, 3 PER DIAGONAL ROW.  
 POSN 48 (36) STANDOFFS, 3 PER DIAGONAL ROW.  
 POSN 52 (39) STANDOFFS, 3 PER DIAGONAL ROW.  
 POSN 56 (42) STANDOFFS, 3 PER DIAGONAL ROW.  
 POSN 60 (45) STANDOFFS, 3 PER DIAGONAL ROW.

3. FLAME RETARDANT, 94 V-0 RATED, GLASS FILLED, NYLON OR POLYESTER, COLOR: BLACK.
4. FINISH: BRIGHT TIN-LEAD .000100-.000200 THK OVER NICKEL .000050 MIN THK.
5. FINISH: BRIGHT TIN .000100-.000200 THK OVER NICKEL .000050 MIN THK.



RECOMMENDED HOLE LAYOUT



5	3.086	2.950	59	60	6-111356-3	
5	2.086	1.950	39	40	5-111356-8	
5	1.286	1.150	23	24	5-111356-4	
5	1.086	.950	19	20	5-111356-3	
5	.886	.750	15	16	5-111356-2	
4	3.086	2.950	59	60	1-111356-3	
OBSOLETE	4	2.886	2.750	55	56	1- -2
OBSOLETE	4	2.686	2.550	51	52	1- -1
OBSOLETE	4	2.486	2.350	47	48	1- -0
OBSOLETE	4	2.286	2.150	43	44	-9
	4	2.086	1.950	39	40	-8
OBSOLETE	4	1.886	1.750	35	36	-7
OBSOLETE	4	1.686	1.550	31	32	-6
OBSOLETE	4	1.486	1.350	27	28	-5
	4	1.286	1.150	23	24	-4
	4	1.086	.950	19	20	-3
	4	.886	.750	15	16	-2
OBSOLETE	4	.686	.550	11	12	111356-1
	FINISH	C	B	A	NO OF POSN	PART NUMBER

THIS DRAWING IS A CONTROLLED DOCUMENT.

DIMENSIONS: INCHES

TOLERANCES UNLESS OTHERWISE SPECIFIED:

0. PLC	± .005
1. PLC	± .005
2. PLC	± .005
3. PLC	± .005
4. PLC	± .005
ANGLES	± 0°30'

MATERIAL MOLDED PARTS: 3 CONTACTS PH BRZ PER QQ-B-750

FINISH CONTACTS: 4

THIS DRAWING IS A CONTROLLED DOCUMENT.

DWG: S. WELDON 23-FEB-86

CHK: W. LENKER 23-FEB-86

APPV: M. VISSELLI 24-FEB-86

NAME: ASSEMBLY, PADDLEBOARD, FULL ROW .100 LONG POSTS, FULL TIN PLATED CONTACTS AMP-LATCH

SIZE: A1

SCALE: 10:1

SHEET: 1 OF 1

REV: H

CUSTOMER DRAWING