



Main

Accessory / separate part category	Mounting and fixing accessories
Accessory / separate part type	Collar for synchro mounting

Complementary

Accessory / separate part destination	Ø 58 mm encoder with solid shaft
Product compatibility	XCC1510P XCC3510P
Product weight	0.09 lb(US) (0.04 kg)

Environment

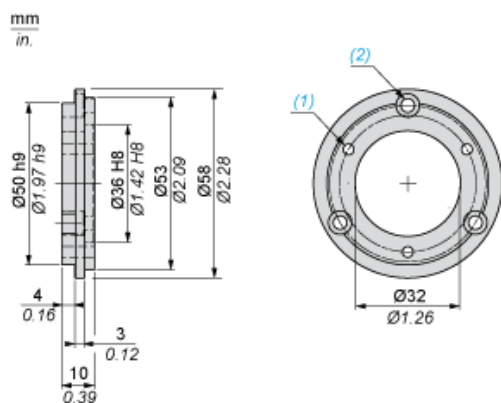
Offer Sustainability

Not Green Premium product	Not Green Premium product
Compliant - since 0701 - Schneider Electric declaration of conformity	Compliant - since 0701 - Schneider Electric declaration of conformity
Reference not containing SVHC above the threshold	Reference not containing SVHC above the threshold
WARNING: This product can expose you to chemicals including:	WARNING: This product can expose you to chemicals including:
Diisononyl phthalate (DINP), which is known to the State of California to cause cancer, and	Diisononyl phthalate (DINP), which is known to the State of California to cause cancer, and
Di-isodecyl phthalate (DIDP), which is known to the State of California to cause birth defects or other reproductive harm.	Di-isodecyl phthalate (DIDP), which is known to the State of California to cause birth defects or other reproductive harm.
For more information go to www.p65warnings.ca.gov	For more information go to www.p65warnings.ca.gov

Contractual warranty

Warranty period	18 months
-----------------	-----------

Dimensions



(1) 3 holes M4 x 0.7 at 120° on 42 PCD. TC M3 x 8 screw fixings

(2) 3 counterbored holes for TC M4 x 8 screws at 120° on 48 PCD