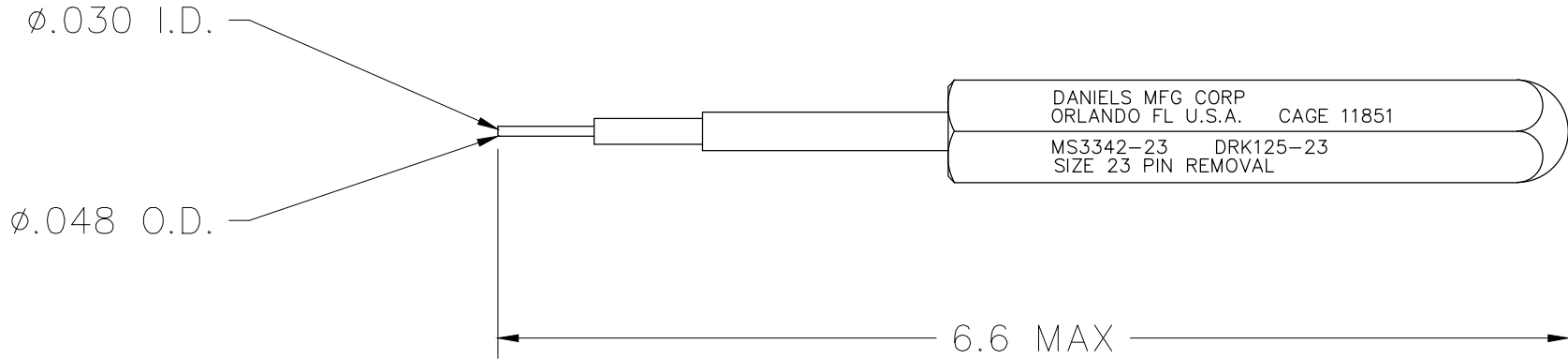



REVISIONS				
REV. SYM.	E.C.O. NUMBER	DESCRIPTION	BY DATE	APP'D DATE
1		ORIGINAL RELEASE	DH 10/7/87	JS 10/8/87



**RESTRICTED & CONFIDENTIAL**

CONFIDENTIAL PROPERTY OF DANIELS MANUFACTURING CORP. NOT TO BE DISCLOSED TO OTHERS, REPRODUCED OR USED FOR ANY OTHER PURPOSE, EXCEPT AS AUTHORIZED IN WRITING BY DANIELS MANUFACTURING. MUST BE RETURNED TO DANIELS MANUFACTURING CORP. ON COMPLETION OF ORDER OR OTHER PURPOSE FOR WHICH LENT.

MATERIAL	ITEM	PART NO.	QTY.	DESCRIPTION/REMARKS
HEAT TREAT	DRN.	DH	DATE 10/7/87	 DANIELS MANUFACTURING CORP. ORLANDO, FLORIDA CAGE 11851
	CHK'D.	JS	DATE 10/8/87	
FINISH	APP'D.	AAM	DATE 10/9/87	TITLE <b>REMOVAL TOOL ENVELOPE DRAWING</b>
	APP'D.		DATE	
NOTE: THIS DRAWING IS AN OUTLINE DRAWING OF THE RESPECTIVE DMC PART NUMBER INDICATED. ACTUAL DMC PART NUMBER IS DRAWING NUMBER WITHOUT THE "-ENV" SUFFIX.				WHERE USED: SIZE A    SCALE NTS    CAD P/N DRK125-23-ENV    SHEET 1 OF 1 POSTING    DWG. NO. DRK125-23-ENV    REV. 1

DO NOT SCALE DRAWING