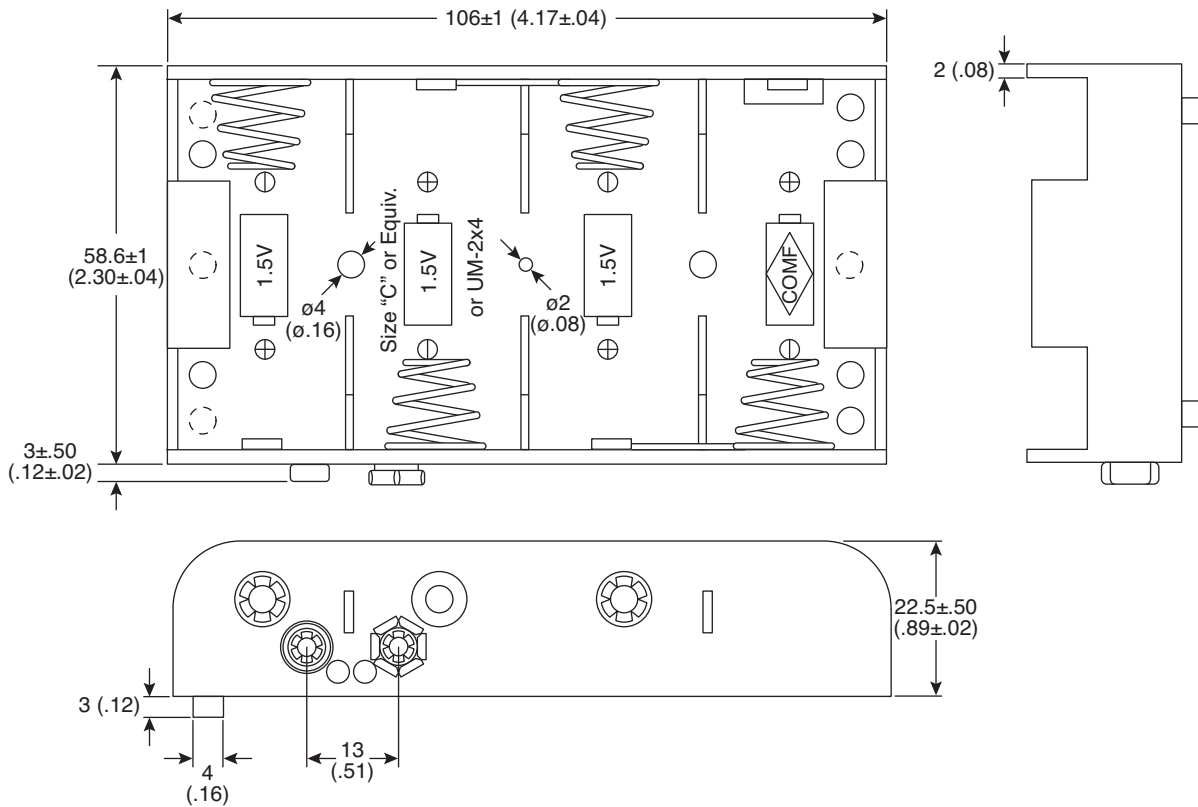
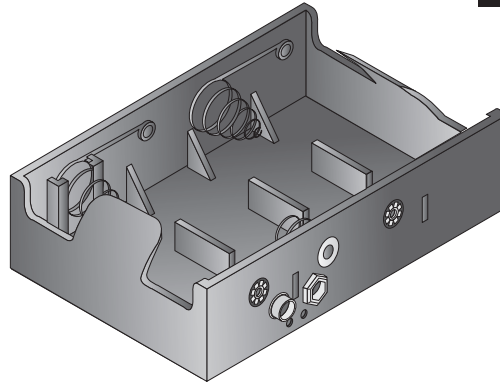


4 "C" Battery Holder with Snaps

12BH243B-GR

Last Revised: 4/8/10



Dimensions: mm (in.)

SPECIFICATIONS	
Terminal:	6 Prong Snap
Material:	P.P. Resin, Black Color
Spring:	0.8mm 65C Spring Wire
RoHS Compliant	

Available from Mouser Electronics
1-800-346-6873 / www.mouser.com

EPD-200850