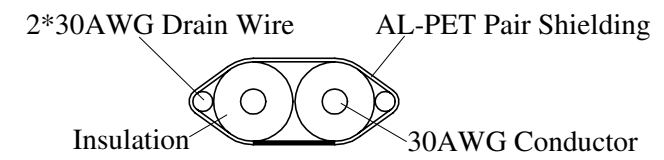
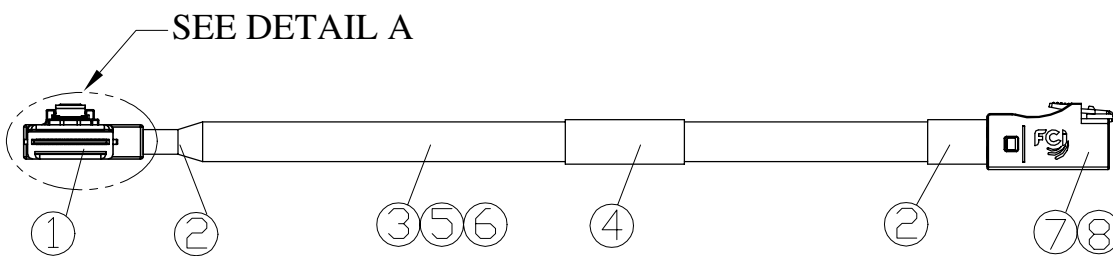
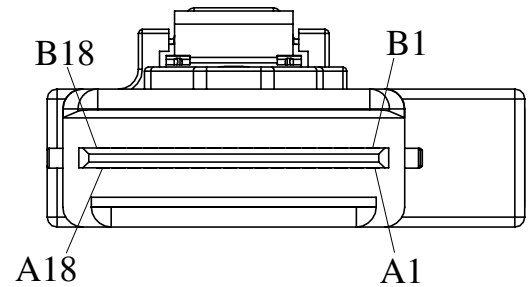


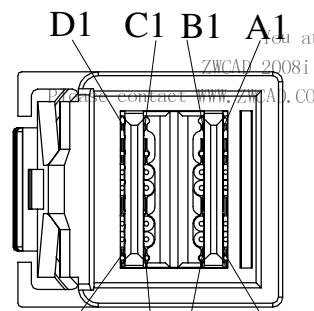
Cross Section C-C  
SCALE 6:1



Parallel Pair Unit  
SCALE 20:1



DETAIL A  
SCALE 4:1



DETAIL B  
SCALE 4:1

- NOTES:
- 100% CONTINUITY TESTED AS DEFINED IN WIRE DIAGRAM.
  - HI-POT TEST: DC 300V/10ms  
CONNECTION RESISTANCE: 3.0 Ohm MAX.  
INSULATION RESISTANCE: 10M Ohm MIN.
  - ROHS COMPLIANCE
  - PACKAGE SPECIFICATION REFER TO GS-14-1274.
  - A SYMBOL WILL BE NEXT TO ANY DIMENSION, VIEW OR NOTE WHICH HAS BEEN MODIFIED WITH THE CURRENT DRAWING REVISION

| rev | ecn no | dr   | date      |
|-----|--------|------|-----------|
| A   |        | Andy | 1/04/2013 |
|     |        |      |           |
|     |        |      |           |
|     |        |      |           |

| 9    | 2    | G    | 3525 LOCTITE UV GLUE                                  |
|------|------|------|---|
| 8    | 1    | EA   | HD miniSAS PCB A/B                                    |
| 7    | 1    | EA   | HD miniSAS PCB A/B                                    |
| 6    | 1    | EA   | HD miniSAS HOUSING                                    |
| 5    | 1    | EA   | HD miniSAS INSERT                                     |
| 4    | 1    | PCS  | CABLE ID LABEL, WRAP ROUND TYPE, BRIGHT WHITE         |
| 3    | A/R  | MM   | PLASTIC BRAID, BLACK COLOR                            |
| 2    | 80   | MM   | AC TAPE, BLACK COLOR                                  |
| 1    | 0.5  | EA   | miniSAS horizontal RA CONNECTOR KIT (WITH DUST COVER) |
| ITEM | Q'TY | UNIT | DESCRIPTION   |

|                    |              |   |                 |                 |           |
|--------------------|--------------|---|-----------------|-----------------|-----------|
| www.fciconnect.com |              | surface - ✓   | tolerance std - | projection -    | MM        |
|                    |              | TOLERANCES UNLESS OTHERWISE SPECIFIED                               |                 |                 |           |
| Dr                 | Andy Wu      | 2013-01-04  | ANGULAR         | 0.X ±           | size A3   |
| Eng                | Andy Wu      | 2013-01-04  | LINEAR          | 0.XX ±          | Scale NTS |
| Chr                | Roger Cheng  | 2013-01-04  | 0° ±            | 0.XXX ±         | ECN -     |
| Appr               | Jackson Wang | 2013-01-04  | Product family  | Spec ref -      |           |
|                    |              | Internal miniSASHD to internal miniSAS horizontal RA cable assembly |                 | dwg no 10123401 | Rev. A    |
| catalog no -       |              | Customer  |                 | sheet 1 of 2    |           |



Copyright FCI.

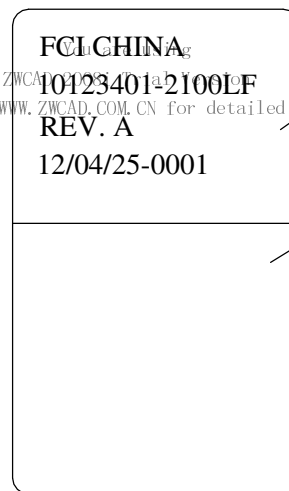
**WIRE DIAGRAM:**

| P1 BACKPLANE |        |       | P2 CONTROLLER |     |
|--------------|--------|-------|---------------|-----|
| PIN          | SYMBOL |       | SYMBOL        | PIN |
| B18          | GND    | ----- | GND           | A9  |
| B17          | Tx3-   | ○→    | Rx3-          | A8  |
| B16          | Tx3+   | ○→    | Rx3+          | A7  |
| B15          | GND    | ----- | GND           | B9  |
| B14          | Tx2-   | ○→    | Rx2-          | B8  |
| B13          | Tx2+   | ○→    | Rx2+          | B7  |
| B12          | GND    | ----- | GND           | B6  |
| B11          | SB 5   | ←→    | SB 5          | D1  |
| B10          | SB 4   | ←→    | SB 4          | C1  |
| B9           | SB 3   | ←→    | SB 3          | B1  |
| B8           | SB 7   | ←→    | SB 7          | A1  |
| B7           | GND    | ----- | GND           | A6  |
| B6           | Tx1-   | ○→    | Rx1-          | A5  |
| B5           | Tx1+   | ○→    | Rx1+          | A4  |
| B4           | GND    | ----- | GND           | A3  |
| B3           | Tx0-   | ○→    | Rx0-          | B5  |
| B2           | Tx0+   | ○→    | Rx0+          | B4  |
| B1           | GND    | ----- | GND           | B3  |
| A18          | GND    | ----- | GND           | C9  |
| A17          | Rx3-   | ←○    | Tx3-          | C8  |
| A16          | Rx3+   | ←○    | Tx3+          | C7  |
| A15          | GND    | ----- | GND           | D9  |
| A14          | Rx2-   | ←○    | Tx2-          | D8  |
| A13          | Rx2+   | ←○    | Tx2+          | D7  |
| A12          | GND    | ----- | GND           | D6  |
| A11          | SB 6   | ←→    | SB 6          | D2  |
| A10          | SB 2   | ←→    | SB 2          | C2  |
| A9           | SB 1   | ←→    | SB 1          | B2  |
| A8           | SB 0   | ←→    | SB 0          | A2  |
| A7           | GND    | ----- | GND           | C6  |
| A6           | Rx1-   | ←○    | Tx1-          | C5  |
| A5           | Rx1+   | ←○    | Tx1+          | C4  |
| A4           | GND    | ----- | GND           | C3  |
| A3           | Rx0-   | ←○    | Tx0-          | D5  |
| A2           | Rx0+   | ←○    | Tx0+          | D4  |
| A1           | GND    | ----- | GND           | D3  |

**TABLE 1:**

| FCI P/N         | REVISION | WIRE GAUGE | LENGTH("L") | TOLERANCE |
|-----------------|----------|------------|-------------|-----------|
| 10123401-2030LF | A        | 30AWG      | 300 mm      | ±15mm     |
| 10123401-2040LF | A        | 30AWG      | 400 mm      | ±15mm     |
| 10123401-2050LF | A        | 30AWG      | 500 mm      | ±15mm     |
| 10123401-2060LF | A        | 30AWG      | 600 mm      | ±15mm     |
| 10123401-2070LF | A        | 30AWG      | 700 mm      | ±15mm     |
| 10123401-2080LF | A        | 30AWG      | 800 mm      | ±15mm     |
| 10123401-2090LF | A        | 30AWG      | 900 mm      | ±15mm     |
| 10123401-2100LF | A        | 30AWG      | 1000 mm     | ±20mm     |

**CABLE LABEL SPEC.:**



WHITE

CLEAR

**LABEL NOTES:**

- A. FCI PN and Revision: see table 1
- B. 12/04/25-0001
  - SN: SERIAL NUMBER
  - DD: DATE
  - MM: MONTH
  - YY: YEAR
- C. SN: START FROM 0001... WHICH COULD NOT BE REPEAT.

|                    |              |   |                 |            |              |
|--------------------|--------------|---|-----------------|------------|--------------|
| www.fciconnect.com |              | surface - ✓   | tolerance std - | projection | MM           |
|                    |              | TOLERANCES UNLESS OTHERWISE SPECIFIED                                     |                 | ⊕          | ↔            |
| Dr                 | Andy Wu      | 2013-01-04  | 0.X ±-          | size       | A3           |
| Eng                | Andy Wu      | 2013-01-04  | 0.XX ±-         | Scale NTS  |              |
| Chr                | Roger Cheng  | 2013-01-04  | 0° ±-           | ECN -      |              |
| Appr               | Jackson Wang | 2013-01-04  | Product family  | Spec ref - |              |
|                    |              | title Internal miniSASHD to internal miniSAS horizontal RA cable assembly |                 | dwg no     | 10123401     |
|                    |              | catalog no -  |                 | Customer   | sheet 2 of 2 |

| rev | ecn no | dr | date |
|-----|--------|----|------|
|     |        |    |      |
|     |        |    |      |
|     |        |    |      |
|     |        |    |      |
|     |        |    |      |



Copyright FCI.