

Features

- ◆ Compact high voltage power supplies
- ◆ Full SMD design with ceramic capacitors for highest reliability
- ◆ Positive or negative polarity models
- ◆ Excellent output stability
- ◆ Low temperature coefficient
- ◆ Ultra low ripple
- ◆ Remote voltage programming 0 to 100 %
- ◆ Short circuit protection
- ◆ Shielded metal case
- ◆ 3-year product warranty

not recommended for new design in



The PHV series are regulated miniature high voltage power modules using SMD and hybrid technology. They are designed for PCB mounting. The use of high stability components guarantees a minimal temperature drift and a very stable output voltage. Typical applications for these HV power supplies are photomultiplier tubes, gas chromatography, analytical instruments and wherever where small size and high output voltage stability is requested.

Models

Order code	Input voltage range	Output voltage	Output current max.
PHV 12-350S10P	12 VDC 10.8 – 16.5 VDC	0...+350 VDC	10 mA
PHV 12-350S10N		0...-350 VDC	10 mA
PHV 12-0.5K1000P		0...+500 VDC	10 mA
PHV 12-0.5K1000N		0...-500 VDC	10 mA
PHV 12-1.0K5000P		0...+1000 VDC	5 mA
PHV 12-1.0K5000N		0...-1000 VDC	5 mA
PHV 12-2.0K2500P		0...+2000 VDC	2.5 mA
PHV 12-2.0K2500N		0...-2000 VDC	2.5 mA

Order code P for positive output polarity
Order code N for negative output polarity

Input Specifications

Input voltage	+10.8 to +16.5 VDC
Reserve voltage protection	none
Conducted noise (input)	internal filter

Output Specifications

Voltage set accuracy	±5 %
Voltage adjustment range (adjustable with external voltage 0 to +6 VDC or with 5 kOhm variable resistor)	0 – 100 %
Remote On/Off control	On = pin 2 to pin 5 open Off = pin 2 to pin 5 short
Regulation	– Input variation Vin min. to Vin max. 0.01 % max. – Load variation 0–100% 0.01 % max.
Ripple and noise (20 MHz Bandwidth)	100 mVpk-pk typ.
Temperature coefficient	±0.01 %/K
Stability	0.05 % 8h after warm-up time
Output current limitation	110 % of Iout max., constant current
Short circuit protection	continuous

General Specifications

Temperature ranges	– Operating –10°C to +75°C – Case temperature +90°C max. – Storage –25°C to +75°C
Derating	4 %/K above 50°C
Humidity (non condensing)	30 – 95 % rel H max.
Efficiency	60 – 65 %
Reliability, calculated MTBF (MIL-HDBK-217F, at +25°C, ground benign)	>300'000 h
Isolation (Input/Output) – Voltage	none
Switching frequency	90 kHz typ. (fixed)
Vibration	5 – 10 Hz amplitude 10 mm pk-pk 10 – 55 Hz acceleration 2 G
Thermal shock	acceleration 20 G max. time 11 ms.
Environmental compliance	– Reach www.tracopower.com/products/phv-reach.pdf – RoHS RoHS directive 2011/65/EU

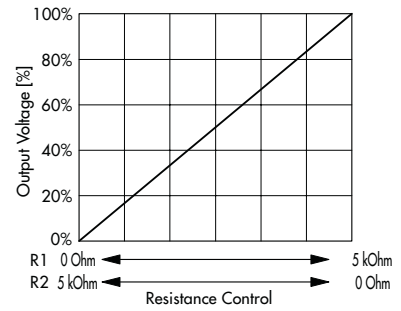
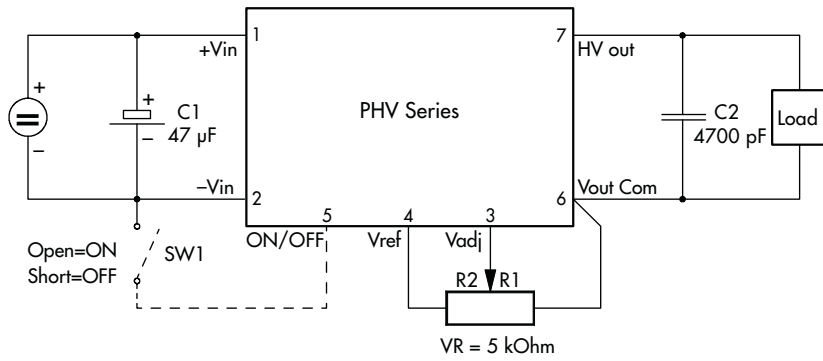
Physical Specifications

Casing material	Steel chrome-nickel plated
Weight	65 g (2.29 oz)
Soldering temperature	max. 260°C / 10 sec.

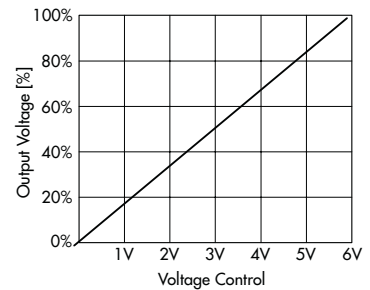
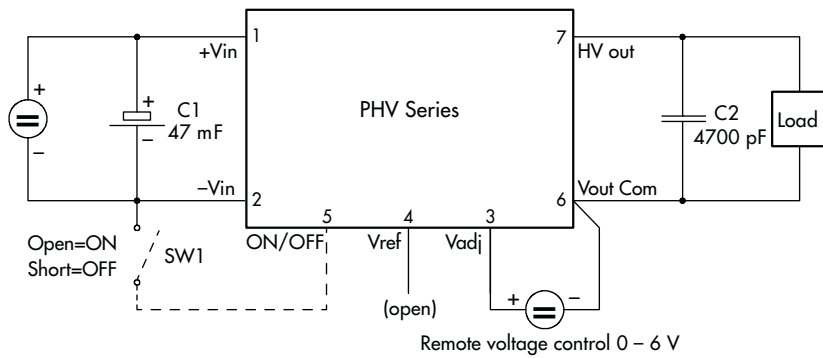
All specifications valid at nominal input voltage, full load and +25°C after warm-up time unless otherwise stated.

Connection Diagram

Connection for remote control by variable resistor



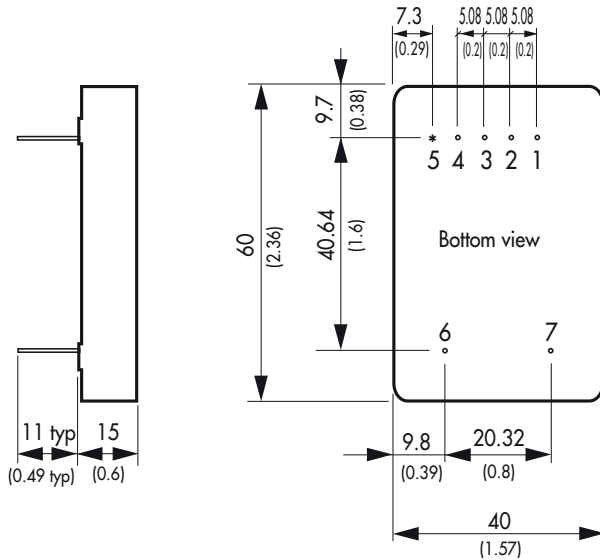
Connection for remote control voltage control



All specifications valid at nominal input voltage, full load and +25°C after warm-up time unless otherwise stated.

Outline Dimensions

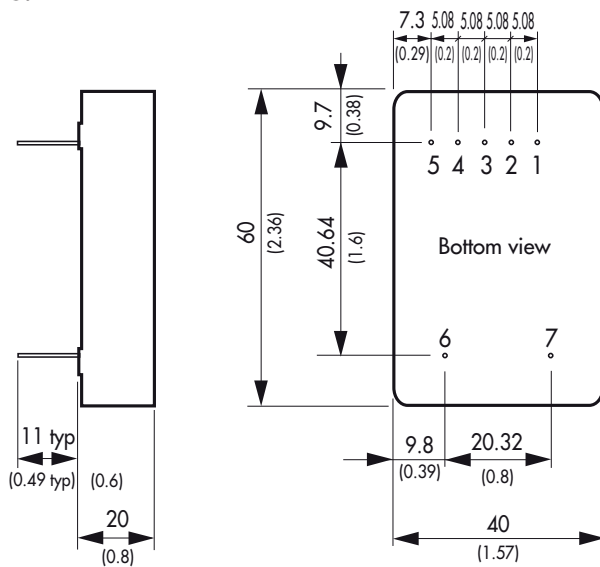
PHV 12-350 S 10P /N:



Pin-Out	
Pin	
1	+Vin (Vcc)
2	-Vin (GND)
3	V adj.
4	V ref.
5	ON/OFF*
6	Common
7	Vout

*on request: add suffix RC

all other models:



Dimensions in [mm], () = Inch
Pin diameter: 0.8 ±0.05 (0.03 ±0.002)
Tolerances: ±0.5 (±0.02)

Specifications can be changed without notice! Make sure you are using the latest documentation, downloadable at www.tracopower.com