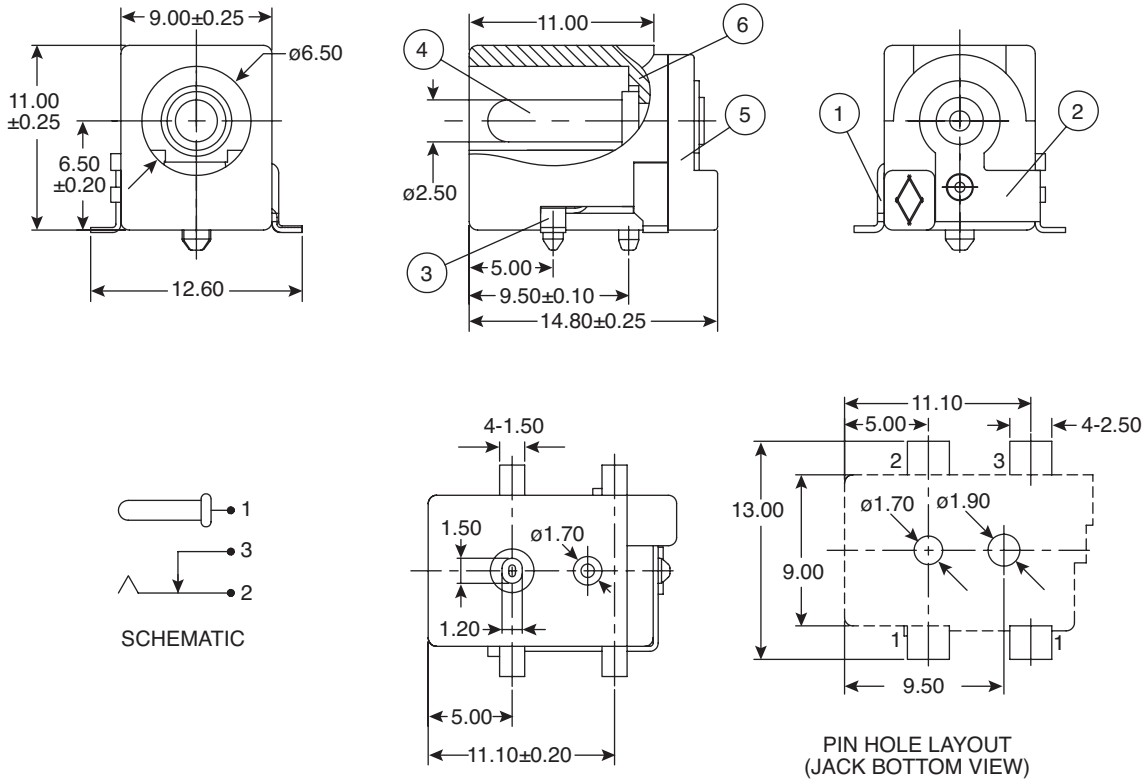


DC Jack 2.5mm x 6.03mm SMD/SMT

163-48025-E



DC Jack 2.5mm x 6.03 SMD/SMT



DIMENSIONS: mm

Tolerance Unless Otherwise Specified ± 0.3

SPECIFICATIONS	
Contact Resistance:	30m Ω Max.
Insulation Resistance:	100M Ω Min. at DC 500V
Dielectric Withstand Voltage:	AC 500V for 1 minute
RoHS Compliant	

No.	Description	Q'ty	Material	Finish
1	Break Terminal	1	0.4T Bronze	Silver Plated
2	Pin Terminal	1	0.3T Bronze	Silver Plated
3	Sleeve Spring	1	0.3T Bronze	Silver Plated
4	Pin ($\phi 2.5$)	1	Copper	Nickel Plated
5	Cover	1	PA9T	Black Color
6	Nut	1	PA9T	Black Color

Date Last Revised: 07/17/12

Available from Mouser Electronics
1-800-346-6873 / www.mouser.com

KC-301428

Specifications are subject to change without notice. No liability or warranty implied by this information. Environmental compliance based on producer documentation.

163-48025-E