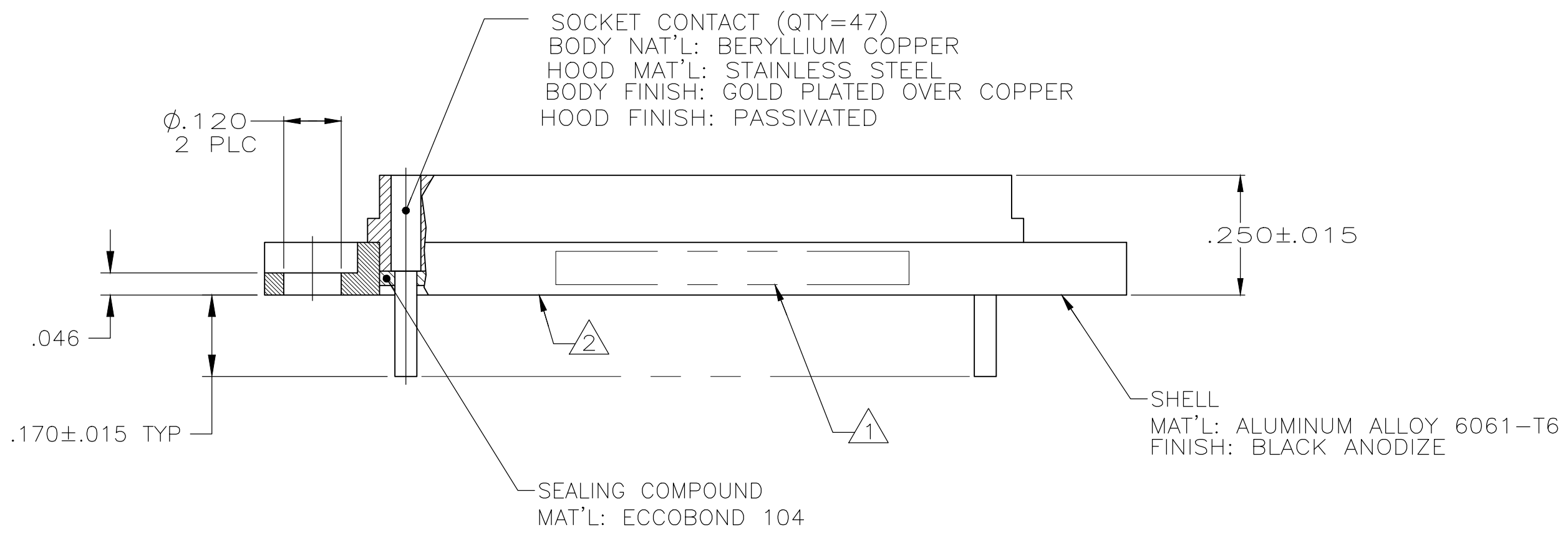
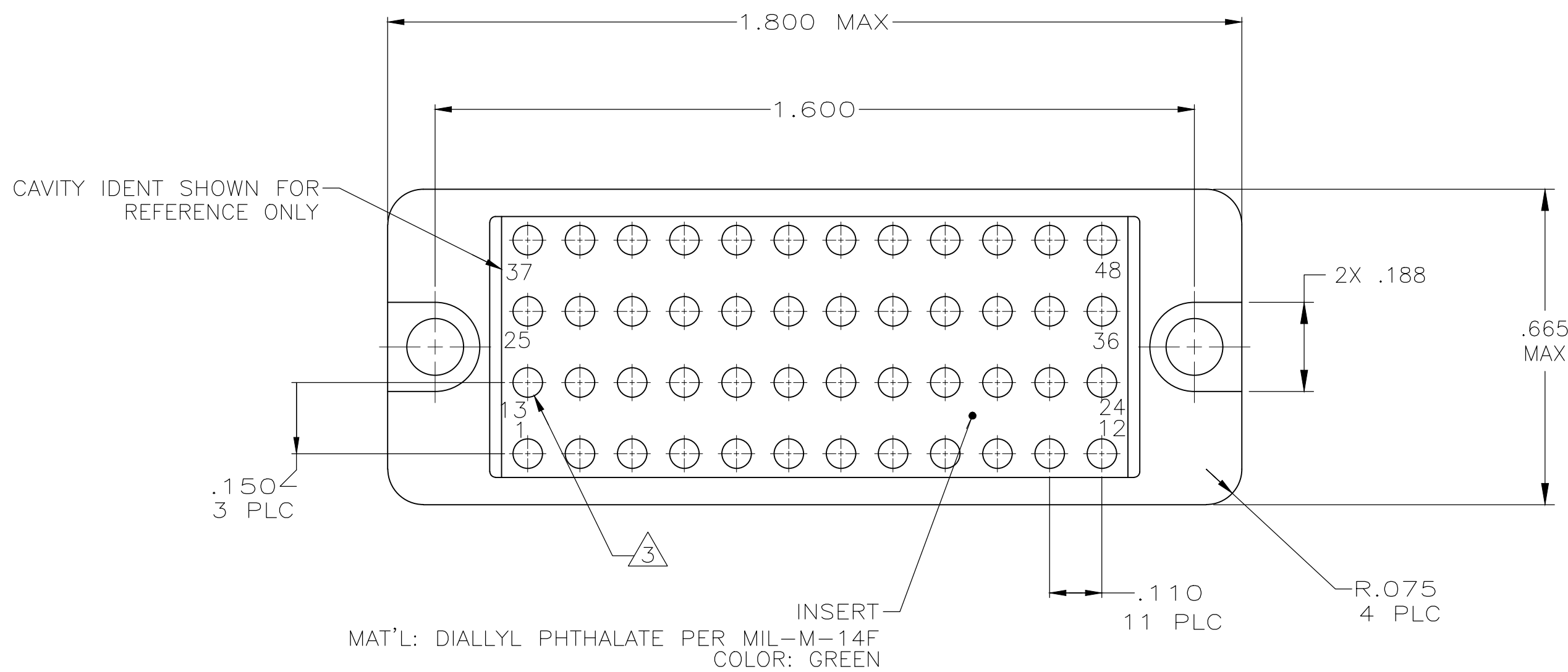


THIS DRAWING IS UNPUBLISHED. RELEASED FOR PUBLICATION
 © COPYRIGHT - TE Connectivity ALL RIGHTS RESERVED.

| REVISIONS | | | | | |
|-----------|-----|-----------------------|---------|-----|------|
| P | LTR | DESCRIPTION | DATE | DWN | APVD |
| C | | REV PER ECO 18-010204 | 8-25-18 | CT | DM |



- ① AMP, DATE CODE AND AMP PART NO. MARKED IN THIS AREA
- ② THIS SURFACE SHALL HAVE BLACK ANODIZE REMOVED AND SHALL HAVE A PROTECTIVE SURFACE COATING PER MIL-C-81076, CLASS 1A, FORM III. (IRIDITE,ALODINE OR EQUIV.)
- ③ CONTACT NOT INSTALLED IN POSITION #13.

594038-2
PART NO.

| | | | | | | | | | | | | | | | |
|--|--|--------------|------------------|---------|--------|-----------------------|-----------|------------|---------------|-------|-----|-------|--------|-----|---|
| THIS DRAWING IS A CONTROLLED DOCUMENT. | | DWN | C.C.THOMAS | 4/21/98 | | TE Connectivity | | | | | | | | | |
| DIMENSIONS: INCHES | | CHK | D.NALLY | 5-13-98 | | NAME | | | | | | | | | |
| TOLERANCES UNLESS OTHERWISE SPECIFIED: | | APVD | D.NALLY | 5-13-98 | | PLUG ASSY,RECTANGULAR | | | | | | | | | |
| 0 PLC ± - 1 PLC ± - 2 PLC ± - 3 PLC ± .005 4 PLC ± - ANGLES ± - | | PRODUCT SPEC | APPLICATION SPEC | | | SIZE | CAGE CODE | DRAWING NO | RESTRICTED TO | | | | | | |
| MATERIAL SEE CALLOUTS | | FINISH | SEE CALLOUTS | | WEIGHT | 0.000000 | A2 | 00779 | C=594038 | SCALE | 4:1 | SHEET | 1 OF 1 | REV | C |
| CUSTOMER DRAWING | | | | | | | | | | | | | | | |