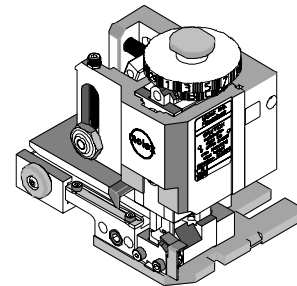




**FineAdjust Applicator
Specification Sheet
Part No. 63867-4000**



FEATURES

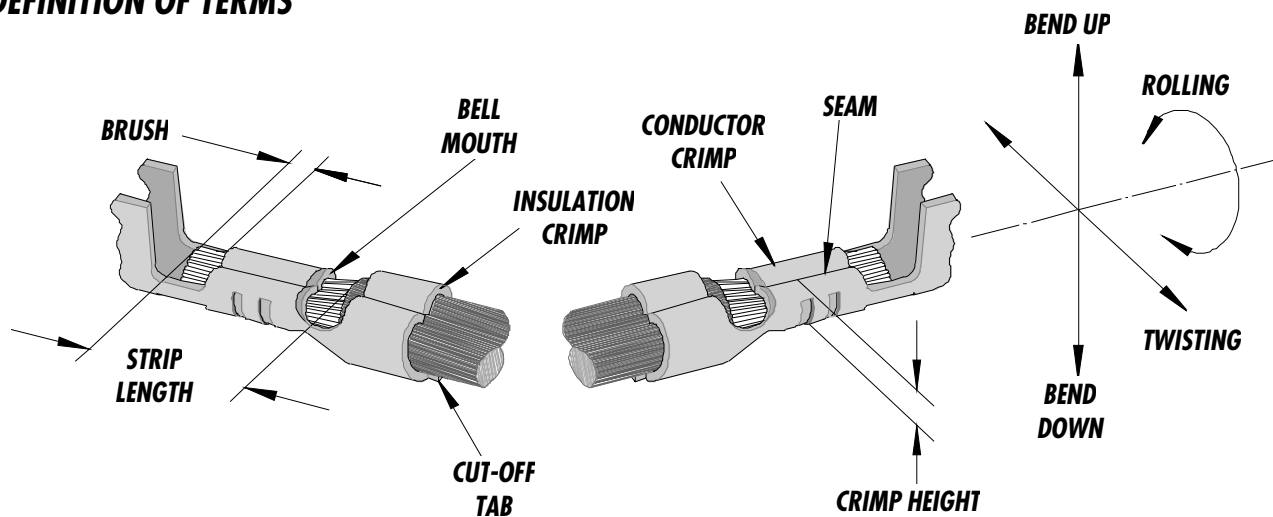
- Quick punch removal with the push of a button for fast and easy tooling change
- Applicator designed to industry standard mounting and shut height 135.80mm (5.346")
- Quick set-up time; plus the crimp height, track and feed adjustments can be set without removing the applicator from the press
- Fine adjustment allows users to achieve target with little effort by adjusting in increments of .015mm (.0006") for conductor crimp height and .063mm (.0025") for insulation height
- Independent adjustment rings allow users to quickly adjust the conductor or insulation crimp height without affecting each other
- Directly adapts to most automatic wire processing machines

SCOPE

Terminal Series No.	Wire Size		Insulation Diameter		Strip Length	
	AWG	mm ²	mm	In.	mm	In.
45924-0001	22	.36	1.27-1.65	.050-.065	2.60-3.30	.102-.130

Note: Terminal is designed for UL style TW-10208 wire

DEFINITION OF TERMS



The above terminal drawing is a generic terminal representation. It is not an image of any terminal listed in the scope.

CRIMP SPECIFICATION

Terminal Series No.	Bell mouth		Cut-off Tab Max.		Conductor Brush	
	mm	In.	mm	In.	mm	In.
45924-0001	0.20-0.50	.008-.020	0.50	.020	0.15-0.65	.006-.026

Terminal Series No.	Bend up	Bend down	Twist	Roll	Punch Width (Ref)				Seam Seam shall not be open and no wire allowed out of the crimping area
					Conductor		Insulation		
					mm	In	mm	In	
45924-0001	3 °	3 °	4 °	8 °	1.40	.055	1.80	.071	

After crimping, the crimp profiles should measure the following :

Terminal Series No.	Wire Size		Conductor				Insulation				Pull Force Min.	
			Crimp Height		Crimp Width		Crimp Height		Crimp Width			
	AWG	mm ²	mm	In.	mm	In.	mm	In.	mm	In.	N	Lb.
45924-0001	22	0.36	0.99-1.09	.039-.043	1.40-1.50	.055-.059	1.50-1.70	.059-.067	1.75-1.95	.069-.077	35.6	8.0

* **Tool Qualification Notes:**

1. This Applicator was qualified to the above specifications with UL style TW-10208 wire.
2. Pull Force should be measured with no influence from the insulation crimp.
3. The above specifications are guidelines to an optimum crimp.

PARTS LIST

Item	Order No	Engineering No.	Description	Quantity
	63867-4000	63867-4000	FineAdjust Applicator (Fig. 1)	REF
1	63444-1418	63444-1418	Conductor Punch	1 Y
2	63445-1436	63445-1436	Conductor Anvil	1 Y
3	63454-0038	63454-0038	Insulation Punch	1 Y
4	63445-1814	63445-1814	Insulation Anvil	1 Y
5	63443-0035	63443-0035	Cut-Off Plunger	1 Y
6	63443-0036	63443-0036	Front Plunger Retainer	1 Y
7	63700-0539	63700-0539	Cut-Off Plunger Spring	1
8	63443-3160	63443-3160	Front Plunger Striker	1
9	63443-0021	63443-0021	Lower Tooling Key	1
10	63443-6004	63443-6004	Rear Cover	1
11	11-18-4083	60707-8	Front Cover	1
12	63443-2513	63443-2513	Anvil Mount	1
13	11-18-4080	60707-5	Wire Stop	1
14	63443-0009	63443-0009	Scrap Chute	1
15	63801-3100	63801-3100	Wide Track FineAdjust	1
16	N/A	N/A	M3 by 6Lg. SHCS	2**
17	N/A	N/A	M4 by 6Lg. SHCS	1**
18	N/A	N/A	M4 by 12Lg. BHCS	2**
19	N/A	N/A	M4 by 50Lg. SHCS	2**
20	N/A	N/A	M5 by 12Lg SHCS	1**
21	N/A	N/A	3MM by 6Lg. Roll Pin	1**
22	N/A	N/A	#10-32 by 1/4"Lg. BHCS	1**
	63867-4070	63867-4070	Tool Kit (All Y Items)	REF

**** The following purchased parts are available from an Industrial supply company such as MSC (1-800-645-7270).**

Assembly Drawing

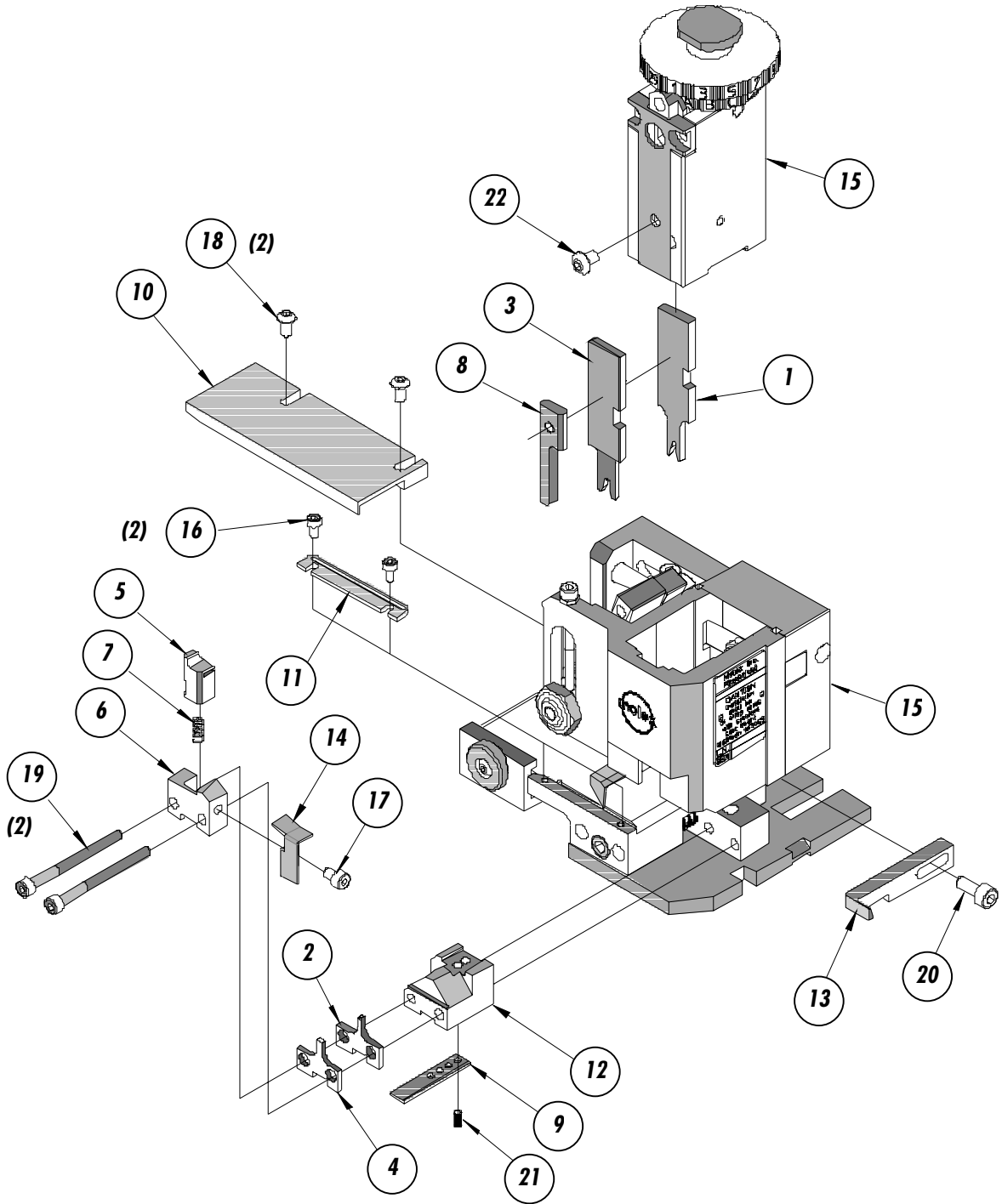


Figure 1

NOTES

1. *Molex recommends an extra perishable tooling kit be maintained at your facility.*
2. *Verify tooling alignment by manually cycling the press and Applicator before crimping under power. Check that all screws are tight.*
3. *Slugs, Terminals, Dirt and Oil should be kept clear of work area.*
4. *Wear safety glasses at all times.*
5. *For recommended maintenance refer to the FineAdjust Manual.*

CAUTION: *This applicator should only be used in a press with a shut height of 135.8 mm (5.346"). Tooling damage could result at a lower setting.*

CAUTION: *To prevent injury never operate this Applicator without the guards supplied with the press or wire-processing machine in place. Reference the press or wire processing manufacturer's instruction manual.*

CAUTION: *Molex crimp specifications are valid only when used with Molex terminals, applicators and tooling.*

Molex Application Tooling Group
1150 E. Diehl Road
Naperville, IL 60563
Tel: (630) 969-4550
Fax: (630) 505-0049

Visit our Web site at <http://www.molex.com>