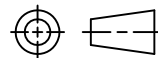




|                        |                        |                  |              |
|------------------------|------------------------|------------------|--------------|
| DRAWN<br>V.NESTOROVSKI | APPROVAL<br>B. TOEPFER | DATE<br>08-10-06 | SCALE<br>1:1 |
|------------------------|------------------------|------------------|--------------|

 CUSTOMER  
 TYCO\_ELECTRONICS\_STANDARD

|           |        |   |     |
|-----------|--------|---|-----|
| TOLERANCE | 0.X    | = | +/- |
| UNLESS    | 0.XX   | = | +/- |
| SPECIFIED | 0.XXX  | = | +/- |
| OTHERWISE | ANGLES | = | +/- |



DO NOT SCALE THIS DRAWING

| CHANGES   |           |                       |      |
|---|-----------|-----------------------|------|
| REV.  | DATE      | CO                    | APP. |
|  | 08-10-06  | RELEASE <sup>VN</sup> | B.T. |
|  | 30APR2010 | ECR-10-008018         | BT   |

ELECTRICAL CHARACTERISTICS: (ALL DATA APPLIES @ 23°C UNLESS OTHERWISE SPECIFIED)

COIL DATA:

|                    |                                  |
|--------------------|----------------------------------|
| NOMINAL VOLTAGE:   | 6 VDC                            |
| OPERATE VOLTAGE:   | 3.9 VDC MAXIMUM                  |
| RELEASE VOLTAGE:   | 0.6 VDC MINIMUM                  |
| COIL RESISTANCE:   | 22.5 OHMS +/- 10%                |
| OPERATE TIME:      | 8 mSEC. MAXIMUM EXCLUDING BOUNCE |
| RELEASE TIME:      | 5 mSEC. MAXIMUM EXCLUDING BOUNCE |
| TEMPERATURE RANGE: | OPERATING -40°C TO +85°C         |

CONTACT DATA: (CONTACT DATA IS FORMATTED N.O./N.C.)

|                             |  |
|-----------------------------|--|
| CONTACT ARRANGEMENT:        | 1 FORM C (SPDT)  |
| CONTACT MATERIAL:           | AgSnO (SILVER TIN-OXIDE)   |
| CONTACT MILLIVOLT DROP:     | 200mv @ 35A ON N.O. CONTACTS (AFTER SWITCHING)<br>250mv @ 20A ON N.C. CONTACTS (AFTER SWITCHING) |
| MAXIMUM MAKE CURRENT:       | 90A/30A (LAMP) @ 16 VDC  |
| MAXIMUM BREAK CURRENT:      | 40A/30A @ 16 VDC RESISTIVE   |
| MAXIMUM CONTINUOUS CURRENT: | 40A/30A @ 23°C , 35A/20A @ 85°C  |
| INITIAL BREAKDOWN CURRENT   | 500V RMS CONTACTS TO COIL  |

EXPECTED LIFE: 100,000 OPERATIONS, 40 A, 14 VDC RESISTIVE ON NORMALLY OPEN CONTACT

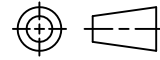
MECHANICAL CHARACTERISTICS:

|                |  |
|----------------|--|
| EXPECTED LIFE: | 10 MILLION OPERATIONS, NO CONTACT LOAD |
| TERMINALS      | BRASS, UNPLATED                        |

|                        |                        |                  |              |
|------------------------|------------------------|------------------|--------------|
| DRAWN<br>V.NESTOROVSKI | APPROVAL<br>B. TOEPFER | DATE<br>08-10-06 | SCALE<br>1:1 |
|------------------------|------------------------|------------------|--------------|

CUSTOMER  
TYCO\_ELECTRONICS\_STANDARD

TOLERANCE 0.X = +/-  
 UNLESS 0.XX = +/-  
 SPECIFIED 0.XXX = +/-  
 OTHERWISE ANGLES = +/-



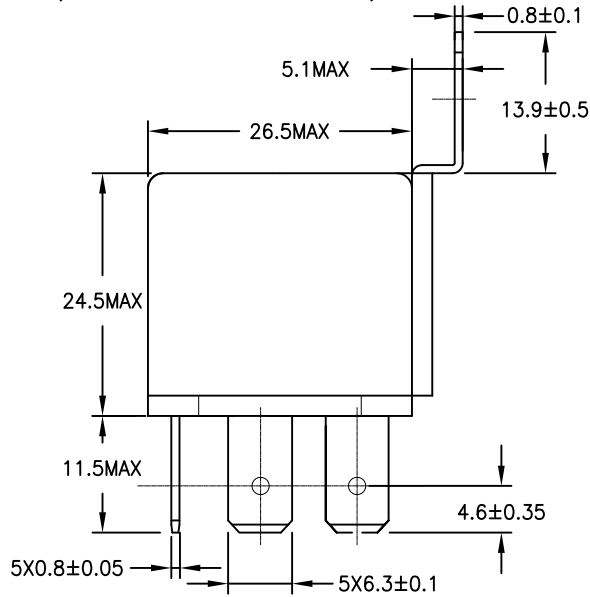
REV B

DO NOT SCALE THIS DRAWING

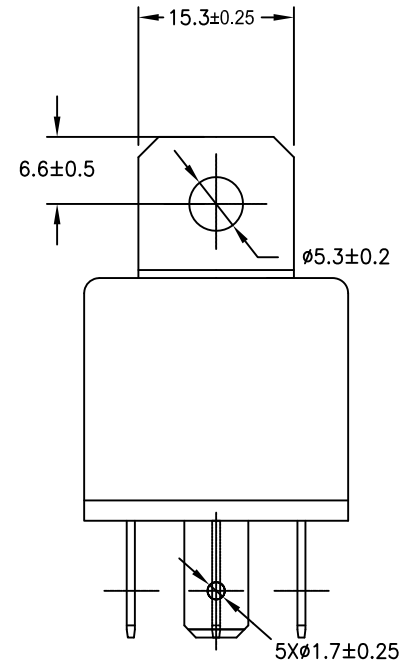
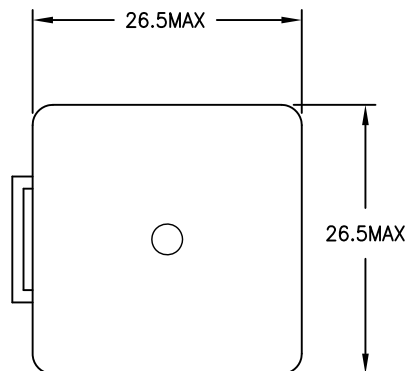
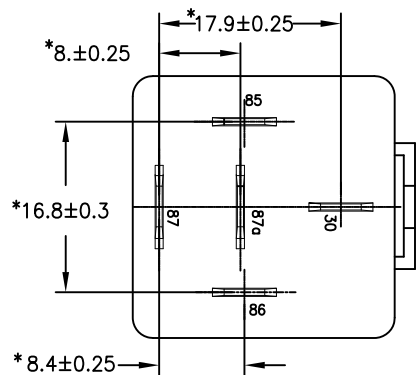
MILLIMETERS

MARKING TO INCLUDE:

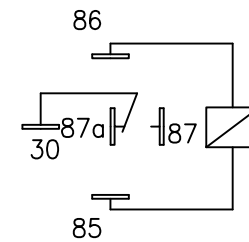
TYCO ELECTRONICS NAME, TYCO ELECTRONICS PART NUMBER, SCHEMATIC, COIL VOLTAGE, COUNTRY OF ORIGIN, AND DATE CODE



K  
K ASPECT



\* TERMINAL LOCATIONS  
APPLY AT THE BASE  
OF THE TERMINALS



85  
SCHEMATIC DRAWING  
(BOTTOM VIEW)