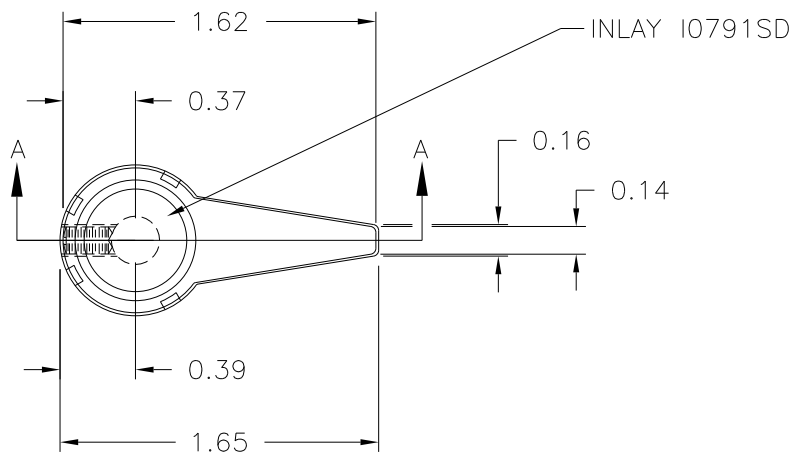
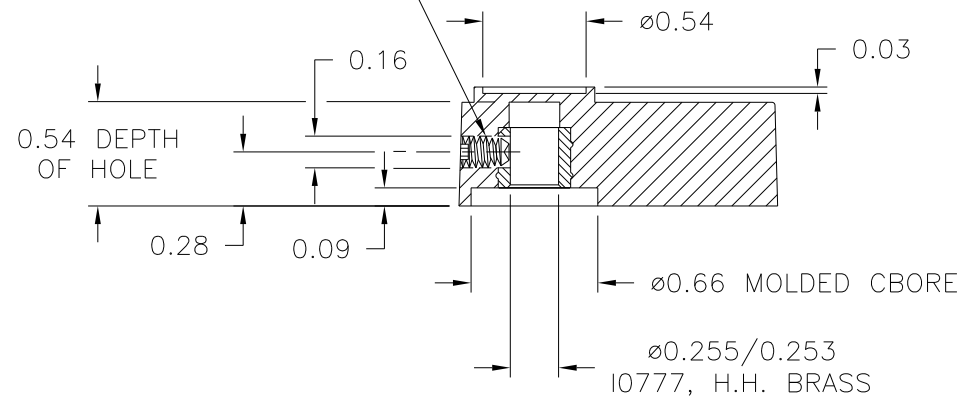
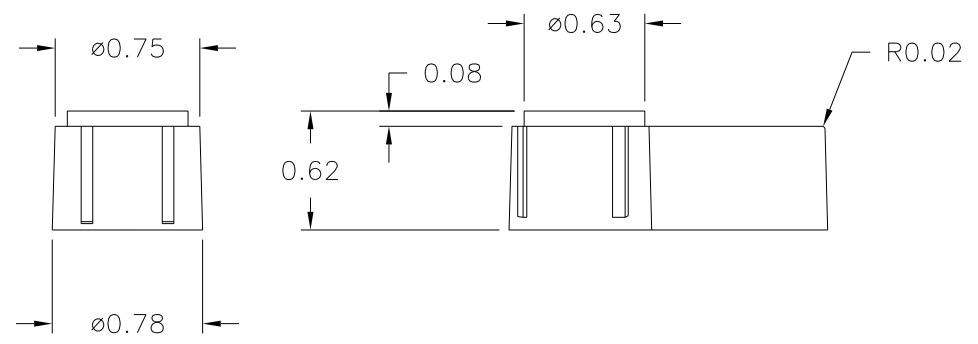


P/N 1214BC	
BASE PART	1214-02
① INSERT	I0777
SET SCREW	I1266
INLAY	I0791



USE #28 DRILL, 8-32 TAP,  
8-32 THREADED X 1/4 LG.  
SOCKET TYPE SET SCREW  
I1266 (1) REQ'D

SECTION A-A



MATERIAL: G.P. PHENOLIC (B11)  
COLOR: BLACK

TOLERANCES: UNLESS OTHERWISE SPECIFIED	DO NOT SCALE DRAWING			
DECIMALS: X.XXX ± .005 X.XX ± .015	MM: X.XX ± 0.15MM X.X ± 0.4MM	-	REDRAWN	TL 8/23/99
FRACTIONS ± 1/64	ANG. ± 1°	CHANGES		