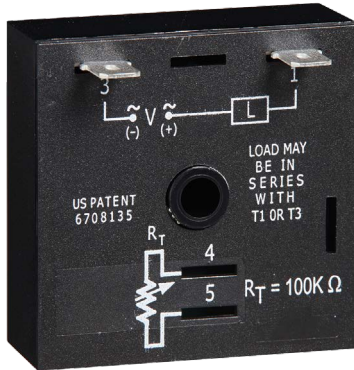
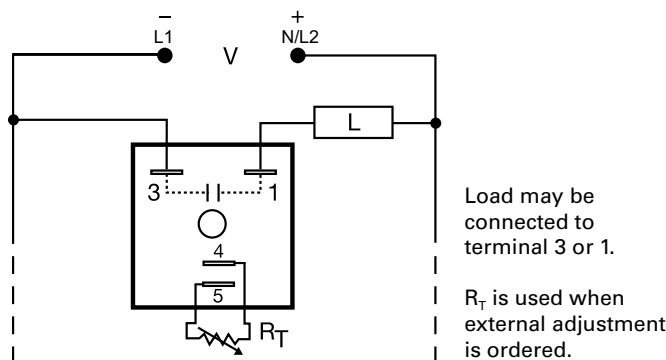


# TSD1 SERIES

## Delay-on-Make Timer



### Wiring Diagram



### Description

The TSD1 Series is designed for more demanding commercial and industrial applications where small size and accurate performance is required. The factory calibration for fixed time delays is within 1% of the target time delay. The repeat accuracy, under stable conditions, is 0.1% of the time delay. The TSD1 Series is rated to operate over an extended temperature range. Time delays of 0.1 seconds to 100 hours are available. The output is rated 1A steady and 10A inrush. The modules are totally solid state and encapsulated to protect the electronic circuitry.

#### Operation (Delay-on-Make)

Upon application of input voltage, the time delay begins. The output is de-energized before and during the time delay. At the end of the time delay, the output energizes and remains energized until input voltage is removed.

**Reset:** Removing input voltage resets the time delay and output.

### Features & Benefits

| FEATURES  | BENEFITS   |
|---|--|
| <b>Microcontroller based</b>                    | Repeat Accuracy +/- 0.1%, +/- 1% time delay accuracy   |
| <b>Extended temperature range</b>               | Rated to 75°C operating temperature to withstand high heat applications.   |
| <b>Compact, low cost design</b>                 | Allows flexibility for OEM applications  |
| <b>1A Steady solid-state output, 10A inrush</b> | Provides 100 million operations in typical conditions.   |
| <b>Totally solid state and encapsulated</b>     | No moving parts to arc and wear out over time and encapsulated to protect against shock, vibration, and humidity |

### Accessories

**P1004-95, P1004-95-X Versa-Pot**  
Panel mountable, industrial potentiometer recommended for remote time delay adjustment.

**P1023-6 Mounting bracket**  
The 90° orientation of mounting slots makes installation/removal of modules quick and easy.

**P0700-7 Versa-Knob**  
Designed for 0.25 in. (6.35 mm) shaft of Versa-Pot. Semi-gloss industrial black finish.

**P1015-64 (AWG 14/16) Female Quick Connect**  
These 0.25 in. (6.35 mm) female terminals are constructed with an insulator barrel to provide strain relief.

**P1015-18 Quick Connect to Screw Adapter**  
Screw adapter terminal designed for use with all modules with 0.25 in. (6.35 mm) male quick connect terminals.

### Ordering Information

| MODEL      | INPUT VOLTAGE | ADJUSTMENT | TIME DELAY |
|------------|---------------|------------|------------|
| TSD1311.2S | 24VDC         | Fixed      | 1.2s       |
| TSD1321    | 24VDC         | External   | 1 - 100s   |
| TSD1424    | 120VAC        | External   | 1 - 100m   |

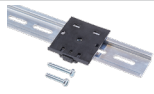
If you don't find the part you need, call us for a custom product 800-843-8848

# TSD1 SERIES

## Accessories

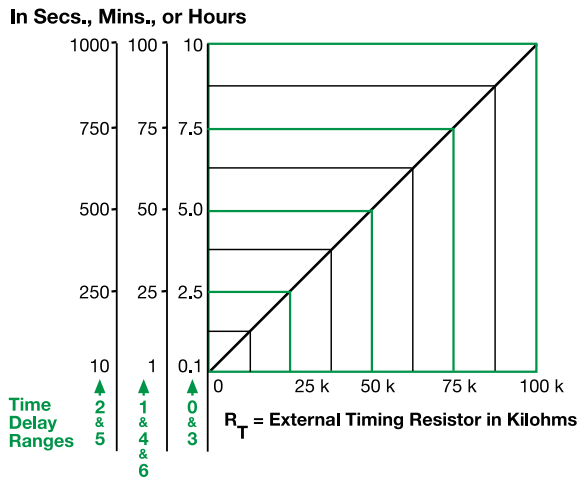


**C103PM (AL) DIN Rail**  
35 mm aluminum DIN rail available in a 36 in. (91.4 cm) length.



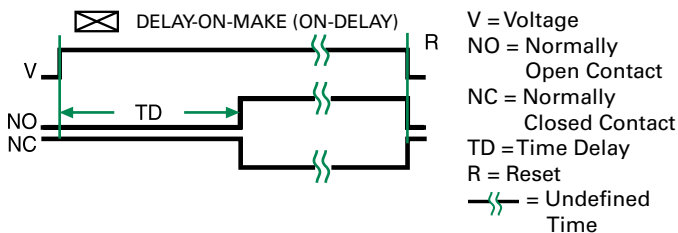
**P1023-20 DIN Rail Adapter**  
Allows module to be mounted on a 35 mm DIN type rail with two #10 screws.

## External Resistance vs. Time Delay



This chart applies to externally adjustable part numbers. The time delay is adjustable over the time delay range selected by varying the resistance across the  $R_T$  terminals; as the resistance increases the time delay increases. When selecting an external  $R_T$ , add the tolerances of the timer and the  $R_T$  for the full time range adjustment.  
**Examples:** 1 to 50 S adjustable time delay, select time delay range 1 and a 50 K ohm  $R_T$ . For 1 to 100 S use a 100 K ohm  $R_T$ .

## Function Diagram



## Specifications

|  |  |
|--|--|
| <b>Time Delay Range</b>                                | 0.1s - 100h in 7 adjustable ranges or fixed  |
| <b>Repeat Accuracy Tolerance (Factory Calibration)</b> | ±0.1% or 20ms, whichever is greater  |
| <b>Recycle Time</b>                                    | ≤ ±1%  |
| <b>Time Delay vs. Temperature &amp; Voltage</b>        | ≤ 150ms  |
| <b>Input Voltage</b>                                   | ≤ ±1%  |
| <b>Tolerance</b>                                       | 12, 24, 120VDC; 24, 120, 230VAC  |
| <b>AC Line Frequency</b>                               | ±20%   |
| <b>Output Type</b>                                     | 50/60 Hz   |
| <b>Form</b>  | Solid state  |
| <b>Maximum Load Current</b>                            | NO, open during timing   |
| <b>Minimum Holding Current</b>                         | 1A steady state, 10A inrush at 60°C  |
| <b>Off State Leakage Current</b>                       | ≤ 40mA   |
| <b>Voltage Drop</b>                                    | ≈ 7mA @ 230VAC   |
| <b>Protection Circuitry</b>                            | ≈ 2.5V @ 1A  |
| <b>Dielectric Breakdown</b>                            | Encapsulated   |
| <b>Insulation Resistance</b>                           | ≥ 2000V RMS terminals to mounting surface  |
| <b>Polarity</b>  | ≥ 100 MΩ   |
| <b>Mechanical Mounting</b>                             | DC units are reverse polarity protected  |
| <b>Dimensions</b>                                      | Surface mount with one #10 (M5 x 0.8) screw<br><b>H</b> 50.8 mm (2"); <b>W</b> 50.8 mm (2");<br><b>D</b> 30.7 mm (1.21") |
| <b>Termination</b>                                     | 0.25 in. (6.35 mm) male quick connect terminals  |
| <b>Environmental Operating/Storage Temperature</b>     | -40° to 75°C / -40° to 85°C  |
| <b>Humidity</b>  | 95% relative, non-condensing   |
| <b>Weight</b>  | ≈ 2.4 oz (68 g)  |