

FPF2286UCX

Product Preview

28 V / 4 A Rated OVP with Low On-resistance

FPF2286 is an OVP with integrated low on-resistance single channel switch. The device contains an N-MOSFET that can operate over an input voltage range of 2.8 V to 23 V and can support a maximum continuous current of 4 A.

When the input voltage exceeds the over-voltage threshold, the internal FET is turned off immediately to prevent damage to the protected downstream components.

FPF2286 is available in a small 6-bump WLCSP package and operate over the free-air temperature range of -40°C to $+85^{\circ}\text{C}$.

Features

- Over-voltage Protection Up to +28 V
- Internal Low $R_{DS(on)}$ NMOS Transistors: Typical 25 m Ω
- Programmable Over-voltage Lockout (OVLO)
 - ◆ Externally Adjustable via OVLO Pin
- Active-low Enable Pin (OVLO) for Device
- Super Fast OVLO Response Time: Typical 40 ns
- Short Circuit Protection and Auto-restart
- Over Temperature Protection (Thermal Shutdown)
- Robust ESD Performance
 - ◆ 2 kV Human Body Model (HBM)
 - ◆ 1 kV Charged Device Model (CDM)
 - ◆ V_{IN} Tolerant to 35 V Residue-voltage during Surge Event
- These Devices are Pb-Free, Halogen Free/BFR Free and are RoHS Compliant

Typical Applications

- Mobile Phones
- PDAs
- GPS

This document contains information on a product under development. ON Semiconductor reserves the right to change or discontinue this product without notice.



ON Semiconductor®

www.onsemi.com



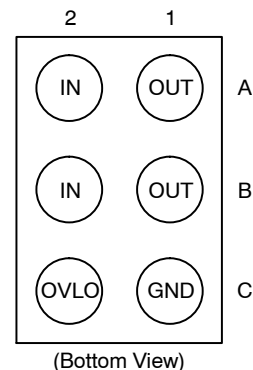
WLCSP6
CASE 567UV

MARKING DIAGRAM



XX = Specific Device Code
M = Month Code
■ = Pb-Free Package

PIN CONNECTIONS



ORDERING INFORMATION

See detailed ordering, marking and shipping information on page 5 of this data sheet.

FPF2286UCX

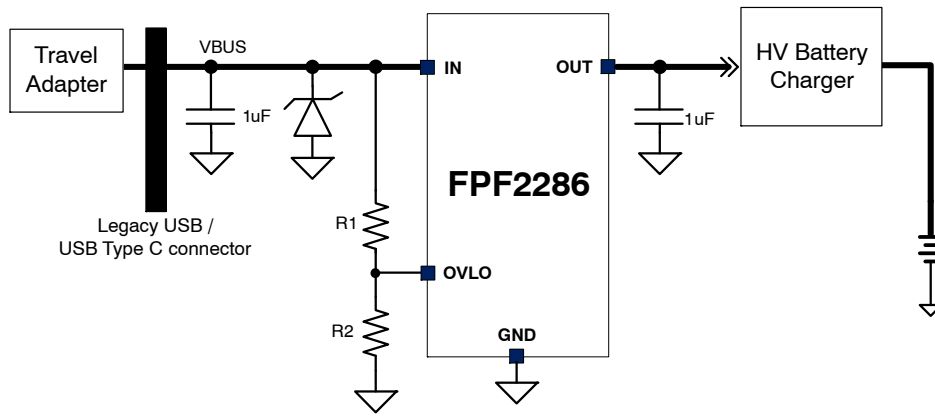


Figure 1. Application Schematic – Adjustable Option

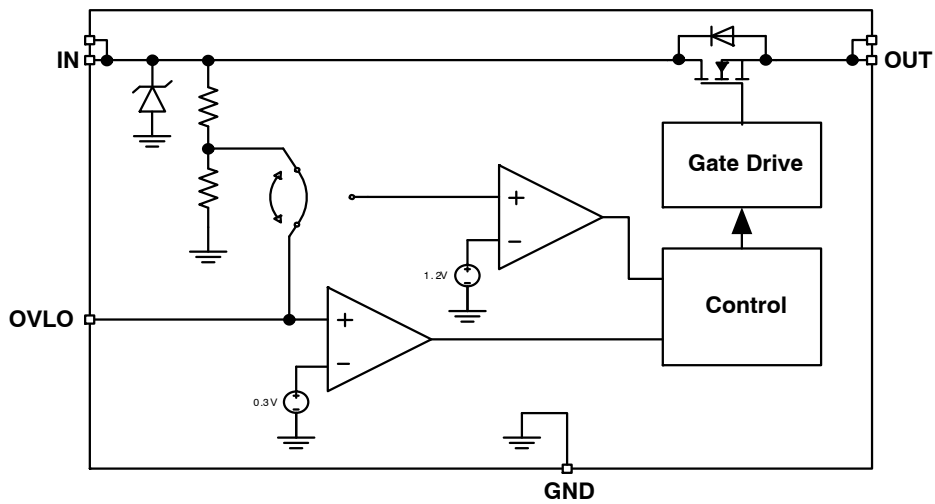


Figure 2. Simplified Block Diagram

Table 1. PIN FUNCTION DESCRIPTION

| Pin No. | Pin Name | Description |
|---------|----------|---|
| A2, B2 | IN | Power Input: Switch Input and Device Supply |
| A1, B1 | OUT | Power Output: Switch Output to Load |
| C2 | OVLO | OVLO Input: Over Voltage Lockout Adjustment Input |
| C1 | GND | Ground |

FPF2286UCX

Table 2. MAXIMUM RATINGS

| Rating | Symbol | Value | Unit |
|---|--------------------|----------------------------|------|
| Input Voltage Range (Note 1) | V_{in} | -0.3 to 28 | V |
| Output Voltage Range | V_{out} | -0.3 to ($V_{in} + 0.3$) | V |
| Adjustable Input Range | V_{OVLO} | -0.3 to 23 | V |
| Internal FET continuous current | I_{OUT} | 0 to 4 | A |
| Maximum Junction Temperature | $T_{J(max)}$ | 150 | °C |
| Storage Temperature Range | T_{STG} | -65 to 150 | °C |
| ESD Capability, Human Body Model (Note 2) | ESD _{HBM} | 2 | kV |
| ESD Capability, Charged Device Model (Note 2) | ESD _{CDM} | 1 | kV |
| Lead Temperature Soldering Reflow (SMD Styles Only), Pb-Free Versions (Note 3) | T_{SLD} | 260 | °C |

Stresses exceeding those listed in the Maximum Ratings table may damage the device. If any of these limits are exceeded, device functionality should not be assumed, damage may occur and reliability may be affected.

1. Refer to ELECTRICAL CHARACTERISTICS, RECOMMENDED OPERATING RANGES and/or APPLICATION INFORMATION for Safe Operating parameters.
2. This device series incorporates ESD protection and is tested by the following methods:
 ESD Human Body Model tested per AEC-Q100-002 (EIA/JESD22-A114)
 ESD Charged Device Model tested per AEC-Q100-011 (EIA/JESD22-C101)
 Latch-up Current Maximum Rating: ≤150 mA per JEDEC standard: JESD78
3. For information, please refer to our Soldering and Mounting Techniques Reference Manual, SOLDERRM/D.

Table 3. THERMAL CHARACTERISTICS

| Rating | Symbol | Value | Unit |
|---|-----------------|-------|------|
| Thermal Characteristics, WLCSP-6 (Note 4) Thermal Resistance, Junction-to-Air (Note 5) | $R_{\theta JA}$ | 121.7 | °C/W |

4. Refer to ELECTRICAL CHARACTERISTICS, RECOMMENDED OPERATING RANGES and/or APPLICATION INFORMATION for Safe Operating parameters.
5. Values based on 2S2P JEDEC std. PCB.

Table 4. RECOMMENDED OPERATING RANGES

| Rating | Symbol | Min | Max | Unit |
|-----------------------|------------|-----|-----|------|
| Supply Voltage on VIN | V_{in} | 2.8 | 23 | V |
| I/O pins | V_{OVLO} | 0 | 5.5 | V |
| Output Current | I_{out} | 0 | 3.5 | A |
| IN Capacitor | C_{in} | 0.1 | | μF |
| OUT Capacitor | C_{out} | 0.1 | | μF |
| Ambient Temperature | T_A | -40 | 85 | °C |

Functional operation above the stresses listed in the Recommended Operating Ranges is not implied. Extended exposure to stresses beyond the Recommended Operating Ranges limits may affect device reliability.

FPF2286UCX

Table 5. ELECTRICAL CHARACTERISTICS

$V_{IN} = 2.8$ to 23 V, $C_{IN} = 0.1$ μ F, $C_{OUT} = 0.1$ μ F, $T_A = -40$ to 85° C; For typical values $V_{IN} = 5.0$ V, $I_{IN} \leq 3$ A, $C_{IN} = 0.1$ μ F, $T_A = 25^\circ$ C, for min/max values $T_A = -40^\circ$ C to 85° C; unless otherwise noted. (Note 6)

| Parameter | Test Conditions | Symbol | Min | Typ | Max | Unit |
|-----------|-----------------|--------|-----|-----|-----|------|
|-----------|-----------------|--------|-----|-----|-----|------|

LEAKAGE AND QUIESCENT CURRENTS

| | | | | | | |
|------------------------------------|--|-------------|------|-----|-----|---------|
| Input Quiescent Current on VIN | $V_{IN} = 5$ V, $V_{OVLO} = 0.6$ V | I_Q | | 85 | | μ A |
| | $V_{IN} = 20$ V, $V_{OVLO} = 0.6$ V | | | 200 | | |
| Supply Current during Over Voltage | $V_{IN} = 23$ V, $V_{OVLO} = 3.0$ V, $V_{OUT} = 0$ V | I_{IN_Q} | | 215 | | μ A |
| OVLO Input Leakage Current | $V_{OVLO} = V_{OVLO_TH}$ | I_{OVLO} | -100 | | 100 | nA |

OVER VOLTAGE AND UNDER VOLTAGE LOCKOUT

| | | | | | | |
|--|--|-----------------|------|------|------|---|
| Under-Voltage Rising Trip Level for VIN | V_{IN} rising, $T_A = -40$ to 85° C | $V_{IN_UV_R}$ | 2.3 | 2.5 | 2.7 | V |
| Under-Voltage Falling Trip Level for VIN | V_{IN} falling, $T_A = -40$ to 85° C | $V_{IN_UV_F}$ | | 2.4 | | V |
| Default Over-Voltage Trip Level | V_{IN} rising, $T_A = -40$ to 85° C | V_{IN_OVLO} | 6.6 | 6.8 | 7.0 | V |
| OVLO set threshold | $V_{OVLO} = 1.1$ V to 1.3 V, the voltage of OVLO to trigger Over Voltage condition | V_{OVLO_TH} | 1.16 | 1.19 | 1.22 | V |
| OVLO threshold hysteresis | | V_{HYS_OVLO} | | 2 | | % |
| Adjustable OVLO range | $OV_MODE = 0$, $V_{OVLO} > 0.5$ V | V_{OV_RNG} | 4 | | 23 | V |

I/O THRESHOLDS

| | | | | | | |
|--------------------------------|------|----------------|-----|---|------|---|
| OVLO Input Threshold Voltage | | | | | | V |
| Voltage Increasing, Logic High | High | V_{IH_OVLO} | 0.3 | - | - | |
| Voltage Decreasing, Logic Low | Low | V_{IL_OVLO} | - | - | 0.15 | |

RESISTANCE

| | | | | | | |
|----------------------------|--|----------|--|----|----|------------|
| On-resistance of Power FET | $V_{IN} = 5$ V, $I_{OUT} = 500$ mA, $T_A = 25^\circ$ C | r_{ON} | | 25 | 35 | m Ω |
|----------------------------|--|----------|--|----|----|------------|

TIMING

| | | | | | | |
|---------------------------------------|--|---------------|--|-----------|--|----|
| De-bounce Time of Power FET turned on | Time from 2.5 V $< V_{IN} < V_{IN_OVLO}$ to $V_{OUT} = 0.1 \times V_{IN}$ | t_{SW_DEB} | | 15 | | ms |
| Switch Turn-On rising Time (Note 8) | $V_{IN} = 5$ V, $R_L = 100$ Ω , $C_L = 22$ μ F, V_{OUT} from $0.1 \times V_{IN}$ to $0.9 \times V_{IN}$ | t_R | | 1 | | ms |
| Switch Turn-Off Time (Note 8) | $R_L = 10$ Ω , $C_L = 0$ μ F, time from $V_{IN} > V_{OVLO}$ to $V_{OUT} = 0.9 \times V_{IN}$ Internal OVP level External OVP level (Note 9) | | | 40 100 | | ns |

THERMAL SHUTDOWN

| | | | | | | |
|---------------------------------------|--|----------|---|-----|---|------------|
| Thermal Shutdown Temperature (Note 8) | | T_{SD} | - | 130 | - | $^\circ$ C |
| Thermal Shutdown Hysteresis (Note 8) | | T_{SH} | - | 20 | - | $^\circ$ C |

Product parametric performance is indicated in the Electrical Characteristics for the listed test conditions, unless otherwise noted. Product performance may not be indicated by the Electrical Characteristics if operated under different conditions.

- Performance guaranteed over the indicated operating temperature range by design and/or characterization tested at $T_J = T_A = 25^\circ$ C. Low duty cycle pulse techniques are used during testing to maintain the junction temperature as close to ambient as possible.
- Refer to the APPLICATION INFORMATION section.
- Values based on design and/or characterization.
- Depends on the capacitance on OVLO pin.

FPF2286UCX

Function Description

General

FPF2286 is an OVP power switch to protect next stage system which is optimized to lower voltage working condition. The device includes ultra low on-resistance power FET (25 mΩ) and super fast OVP response time (40 ns).

Power MOSFET

The FPF2286 integrates an N-type MOSFET with 25 mΩ resistance. The power FET can work under 2.8 V ~ 23 V and up to 4 A DC current capability.

Power Supply

The FPF2286 is supplied by IN. IN will be firstly supplied by OUT when the device is working under USB On-The-Go (OTG) condition.

Enable Control

There is no specified enable pin for FPF2286. However, the OVLO can be used as an active LOW enable pin to be controlled by a GPIO. When OVLO pin is connected to a high level (higher than 1.2 V), the internal FET will be turned off. When OVLO pin is connected to 0 V, the FET will be turned on as long as V_{IN} is not higher than 6.8 V.

Under Voltage Lockout

FPF2286 power switch will be turned off when the voltage on IN is lower than the UVLO threshold $V_{IN_UV_F}$. Whenever V_{IN} voltage ramps up to higher than $V_{IN_UV_R}$, the power FET will be turned on automatically after t_{DEB} de-bounce time if there is no OV or OT condition.

Over Voltage Lockout

The power FET will be turned off whenever V_{IN} voltage higher than V_{IN_OVLO} . The value of V_{IN_OVLO} can be set by external resistor ladder or just be default value V_{IN_OVLO} .

When V_{OVLO} is smaller than V_{IL_OVLO} , V_{OVLO} will be decided by default value. When V_{OVLO} is larger than V_{IH_OVLO} , the power switch will be turned off once $V_{OVLO} > V_{OVLO_TH}$. The external resistor ladder can be decided according to the following equation:

$$V_{IN_OVLO} = V_{OVLO_TH} \times (1 + R1/R2) \quad (\text{eq. 1})$$

where R1 and R2 are the resistors in Figure 1.

Thermal Shutdown

When the device is in the switch mode, to protect the device from over temperature, the power switch will be turned off when the junction temperature exceeds T_{SD} . The switch will be turned on again when temperature drop below $T_{SD} - T_{SH}$.

APPLICATIONS INFORMATION

Input Decoupling (C_{in})

A ceramic or tantalum at least 0.1 μF capacitor is recommended and should be connected close to the FPF2286 package. Higher capacitance and lower ESR will improve the overall line and load transient response.

Output Decoupling (C_{out})

The FPF2286 is a stable component and does not require a minimum Equivalent Series Resistance (ESR) for the output capacitor. The minimum output decoupling value is 0.1 μF and can be augmented to fulfill stringent load transient requirements.

Thermal Considerations

As power in the FPF2286 increases, it might become necessary to provide some thermal relief. The maximum power dissipation supported by the device is dependent upon board design and layout. Mounting pad configuration on the PCB, the board material, and the ambient temperature affect the rate of junction temperature rise for the part. When

the FPF2286 has good thermal conductivity through the PCB, the junction temperature will be relatively low with high power applications. The maximum dissipation the FPF2286 can handle is given by:

$$P_{D(MAX)} = \frac{[T_{J(MAX)} - T_A]}{R_{\theta JA}} \quad (\text{eq. 2})$$

Since T_j is not recommended to exceed 125°C, then the FPF2286 soldered on 645 mm², 1 oz copper area, and the ambient temperature (T_A) is 25°C. The power dissipated by the FPF2286 can be calculated from the following equations:

$$P_D \approx V_{in} \cdot (I_Q @ I_{out}) + I_{out}^2 \cdot r_{ON} \quad (\text{eq. 3})$$

Hints

V_{in} and V_{out} printed circuit board traces should be as wide as possible. Place external components, especially the input capacitor and TVS, as close as possible to the FPF2286, and make traces as short as possible.

ORDERING INFORMATION

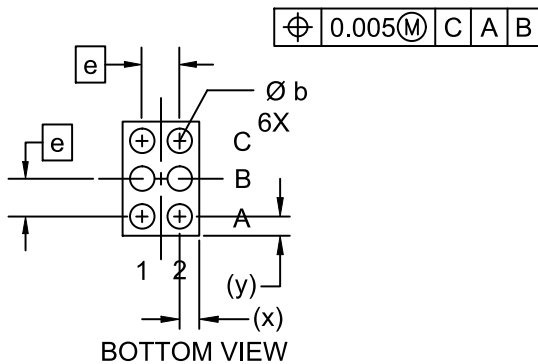
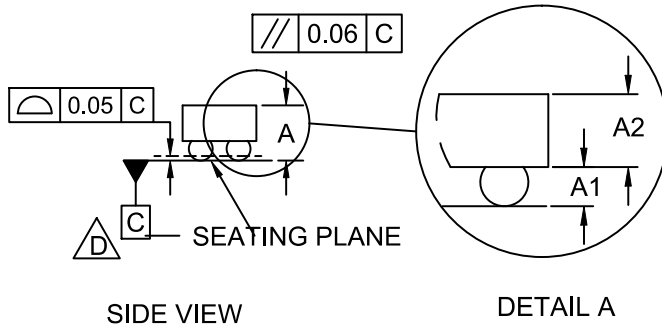
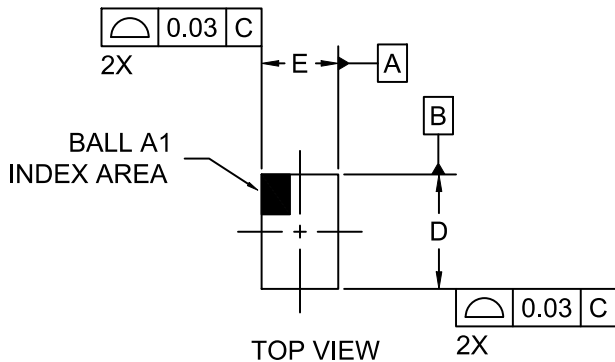
| Device | Default OV Level | Marking | Package | Shipping† |
|------------|------------------|---------|----------|--------------------|
| FPF2286UCX | 6.8 V | 3F | WLCSP-6L | 3000 / Tape & Reel |

†For information on tape and reel specifications, including part orientation and tape sizes, please refer to our Tape and Reel Packaging Specifications Brochure, BRD8011/D

FPF2286UCX

PACKAGE DIMENSIONS

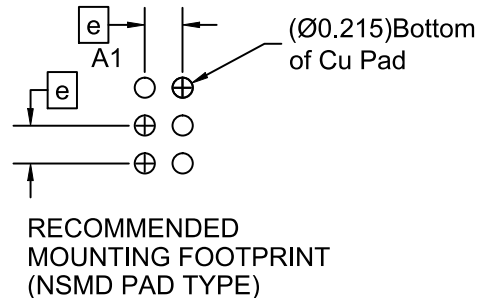
WLCSP6 1.3x0.9x0.574
CASE 567UV
ISSUE O



NOTES:

1. DIMENSIONING AND TOLERANCING PER ASME Y14.5M, 2009.
2. CONTROLLING DIMENSION: MILLIMETERS
3. DATUM C APPLIES TO THE SPHERICAL CROWN OF THE SOLDER BALLS

| DIM | MILLIMETERS | | |
|-----|-------------|-------|-------|
| | MIN. | NOM. | MAX. |
| A | 0.536 | 0.574 | 0.612 |
| A1 | 0.176 | 0.196 | 0.216 |
| A2 | 0.360 | 0.378 | 0.396 |
| b | 0.240 | 0.260 | 0.280 |
| D | 1.270 | 1.300 | 1.330 |
| E | 0.870 | 0.900 | 0.930 |
| e | 0.40 BSC | | |
| x | 0.235 | 0.250 | 0.265 |
| y | 0.235 | 0.250 | 0.265 |



ON Semiconductor and are trademarks of Semiconductor Components Industries, LLC dba ON Semiconductor or its subsidiaries in the United States and/or other countries. ON Semiconductor owns the rights to a number of patents, trademarks, copyrights, trade secrets, and other intellectual property. A listing of ON Semiconductor's product/patent coverage may be accessed at www.onsemi.com/site/pdf/Patent-Marking.pdf. ON Semiconductor reserves the right to make changes without further notice to any products herein. ON Semiconductor makes no warranty, representation or guarantee regarding the suitability of its products for any particular purpose, nor does ON Semiconductor assume any liability arising out of the application or use of any product or circuit, and specifically disclaims any and all liability, including without limitation special, consequential or incidental damages. Buyer is responsible for its products and applications using ON Semiconductor products, including compliance with all laws, regulations and safety requirements or standards, regardless of any support or applications information provided by ON Semiconductor. "Typical" parameters which may be provided in ON Semiconductor data sheets and/or specifications can and do vary in different applications and actual performance may vary over time. All operating parameters, including "Typicals" must be validated for each customer application by customer's technical experts. ON Semiconductor does not convey any license under its patent rights nor the rights of others. ON Semiconductor products are not designed, intended, or authorized for use as a critical component in life support systems or any FDA Class 3 medical devices or medical devices with a same or similar classification in a foreign jurisdiction or any devices intended for implantation in the human body. Should Buyer purchase or use ON Semiconductor products for any such unintended or unauthorized application, Buyer shall indemnify and hold ON Semiconductor and its officers, employees, subsidiaries, affiliates, and distributors harmless against all claims, costs, damages, and expenses, and reasonable attorney fees arising out of, directly or indirectly, any claim of personal injury or death associated with such unintended or unauthorized use, even if such claim alleges that ON Semiconductor was negligent regarding the design or manufacture of the part. ON Semiconductor is an Equal Opportunity/Affirmative Action Employer. This literature is subject to all applicable copyright laws and is not for resale in any manner.

PUBLICATION ORDERING INFORMATION

LITERATURE FULFILLMENT:
Literature Distribution Center for ON Semiconductor
19521 E. 32nd Pkwy, Aurora, Colorado 80011 USA
Phone: 303-675-2175 or 800-344-3860 Toll Free USA/Canada
Fax: 303-675-2176 or 800-344-3867 Toll Free USA/Canada
Email: orderlit@onsemi.com

N. American Technical Support: 800-282-9855 Toll Free
USA/Canada
Europe, Middle East and Africa Technical Support:
Phone: 421 33 790 2910

ON Semiconductor Website: www.onsemi.com
Order Literature: <http://www.onsemi.com/orderlit>

For additional information, please contact your local Sales Representative