

CUSTOMER DRAWING		
CATALOG # 15SRBX8-W		
ECN #	APPRVD.	DATE
08-010107	ELC	08MAY08

SAFETY ORGANIZATIONS

THIS FILTER IS A VERSION OF THE 15SRB8-W, WHICH HAS BEEN FORMALLY RECOGNIZED, CERTIFIED OR APPROVED BY THE LISTED AGENCY. ALL TEST/REQUIREMENTS SPECIFIED IN THE LATEST REVISION OF THE FOLLOWING AGENCY STANDARDS HAVE BEEN MET:

- UL RECOGNIZED: UL 1283 (REF. 15SRB8-W)
- CSA CERTIFIED: CSA 22.2, NO. 8 (REF. 15SRB8-W)
- VDE APPROVED: EN 60939-2 (REF. 15SRB8-W)

OPERATING SPECIFICATIONS

LINE CURRENT/VOLTAGE: 15 AMP, 120/250 VAC,
10 AMP/40°C, 250 VAC

LINE FREQUENCY: 50-60Hz

MAXIMUM LEAKAGE CURRENT,
EACH LINE TO GROUND:

0.04n AMP	120V	60Hz
0.07n AMP	250V	50Hz

OPERATING AMBIENT TEMP. RANGE: -10°C TO +40°C @ RATED CURRENT, I_r.

IN AN AMBIENT, T₀, HIGHER THAN 40°C, THE MAXIMUM OPERATING CURRENT, I₀, IS AS FOLLOWS:

$$I_0 = I_r \sqrt{\frac{100 - T_0}{60}}$$

RELIABILITY SPECIFICATIONS:

STORAGE TEMPERATURE: -40°C TO +85°C
HUMIDITY: 21 DAYS @ 40°C 95% RH.
CURRENT OVERLOAD TEST: 6 TIMES I_r FOR 8 SECONDS

TEST SPECIFICATIONS:

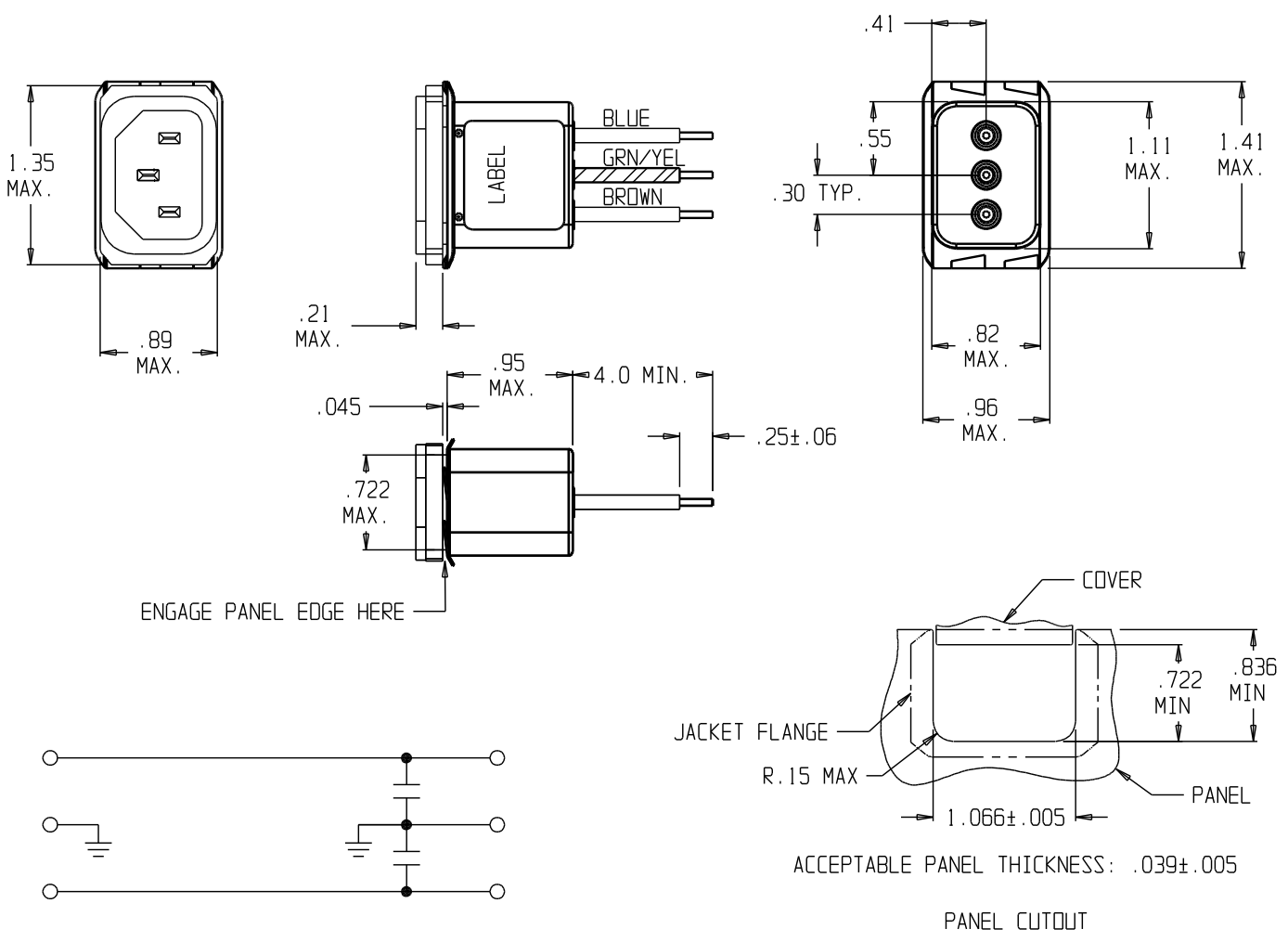
INDUCTANCE: 0 mH NOMINAL
CAPACITANCE: (MEASURED @ 1KHz, 0.250VAC MAX., 25°C±1°C)
LINE TO GROUND: 470 pF ±20%
LINE TO LINE: 0.0 pF
DISCHARGE RESISTOR: NONE
L/G AND L/L I.R.
NO DISCHARGE RESISTOR: 6000MΩ (MIN.) @ 100VDC, 20°C AND 50% RH

RECOMMENDED RECEIVING INSPECTION HIPOT:

LINE TO GROUND: 1500 VAC FOR 1 MINUTE
LINE TO LINE: 1450 VDC FOR 1 MINUTE

FILTER APPROVAL:

THE BEST WAY TO SELECT AND QUALIFY A FILTER IS FOR YOUR ENGINEERING TO TEST THE UNIT IN YOUR EQUIPMENT.



50Ω - 50Ω (MINIMUM) INSERTION LOSS										THIRD ANGLE PROJECTION		Tyco Electronics		
FREQUENCY MHz	1	5	10	50	100	300					UNLESS OTHERWISE SPECIFIED, TOLERANCE TO BE ±.025	CORCON PRODUCTS, 620 S. BUTTERFIELD RD. MUNDELEIN IL 60060		
COMMON dB	/	2	4	18	13	20	/	/	/	/	MATERIAL & FINISH: AS SUPPLIED	POWER LINE FILTER		
DIFF. dB	/	/	/	/	/	/	/	/	/	/	TYCO ELECTRONICS PART NO. 6-1609987-1			
										SCALE: NTS DATE: 11JAN08		CATALOG NO.	REV.	
										DRW. BY: SD		ELC	15SRBX8-W	2

THIS INFORMATION IS CONFIDENTIAL AND PROPRIETARY TO TYCO ELECTRONICS CORPORATION AND ITS WORLDWIDE SUBSIDIARIES AND AFFILIATES. IT MAY NOT BE DISCLOSED TO ANYONE OTHER THAN TYCO ELECTRONICS PERSONNEL, WITHOUT WRITTEN AUTHORIZATION FROM TYCO ELECTRONICS CORPORATION, HARRISBURG, PENNSYLVANIA USA