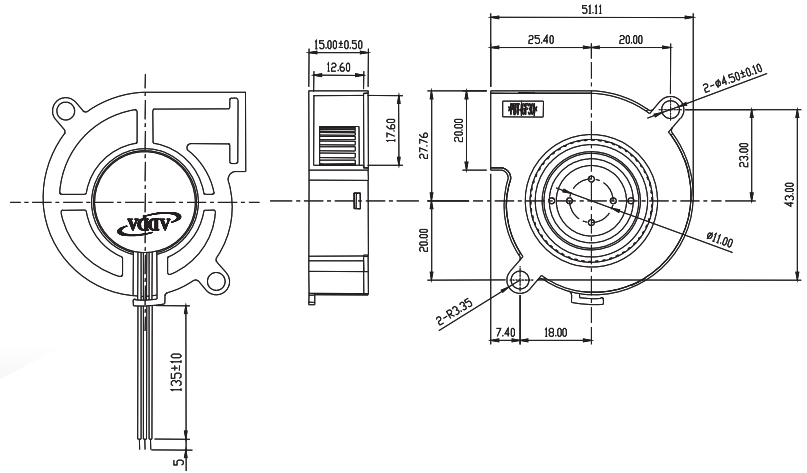




AB5115 SERIES



External Dimensions



Frame:Plastic(UL:94V-0)
 Impeller:Plastic(UL:94V-0)
 Lead wire:UL1007AWG28

Specifications(Nominal)

*Noise is measured at the distance of one (1) meter from the axis of intake.

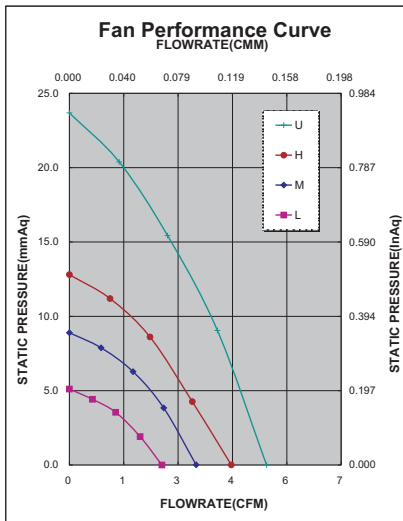
Bearing type: ○=Ball ※=Sleeve ●=Hypro bearing

Frame size (mm)	Model No.	Bearing System Type	Rated Voltage (VDC)	Current (A)	Power (W)	Rated Speed (rpm)	Maximum AirFlow (CMM)	Maximum AirFlow (CFM)	Maximum Pressure (InAq)	Maximum Pressure (mmAq)	*Noise Level (dB/A)	Weight (g)
51x51x15	AB05105LB150300	○	5	0.08	0.40	3500	0.067	2.380	0.201	5.105	31.6	26.0
	AB05105MB150300	○	5	0.14	0.70	4500	0.094	3.330	0.347	8.813	37.1	
	AB05105HB150300	○	5	0.20	1.00	5500	0.118	4.170	0.504	12.801	38.0	
	AB05105UB150300	○	5	0.40	2.00	6500	0.143	5.070	0.932	23.672	43.0	
	AB05112LB150300	○	12	0.05	0.60	3500	0.067	2.380	0.201	5.105	31.6	
	AB05112MB150300	○	12	0.08	0.96	4500	0.094	3.330	0.347	8.813	37.1	
	AB05112HB150300	○	12	0.12	1.44	5500	0.118	4.170	0.504	12.801	38.0	
	AB05112UB150300	○	12	0.18	2.16	6500	0.143	5.070	0.932	23.672	43.0	
	AB05124HB150300	○	24	0.10	2.40	5500	0.118	4.170	0.504	12.801	38.0	
AB05124UB150300	○	24	0.12	2.88	6500	0.143	5.070	0.932	23.672	43.0		

Specifications subject to change without notice.

The models AB05105HB150300 and AB05112UB150300 have safety certification as UL, CUL, TUV and CE. The rest models only have CE certification at moment. If you wish to have other safety certification for the rest models, please contact our sales rep. Thank you!

(型號中AB05105HB150300與AB05112UB150300 安規有UL.CUL.TUV.CE其它機種安規只有CE 若需其它安規請聯絡您在ADDA的業務代表,謝謝)



*Motor protective circuit and third lead wire functions

0	1	2	3	4	6	7	8	9	A	B
	✓	✓	✓							

*Safety approvals

✓	✓		✓	✓