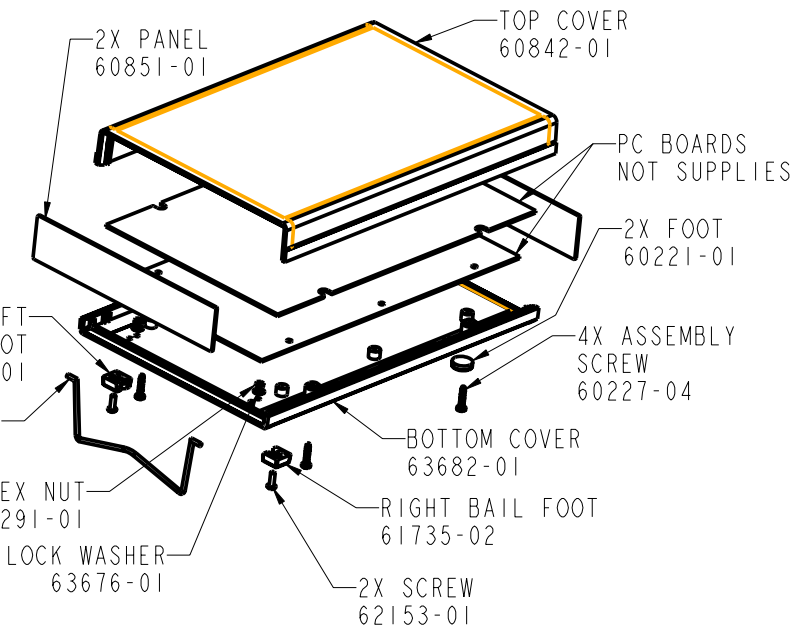
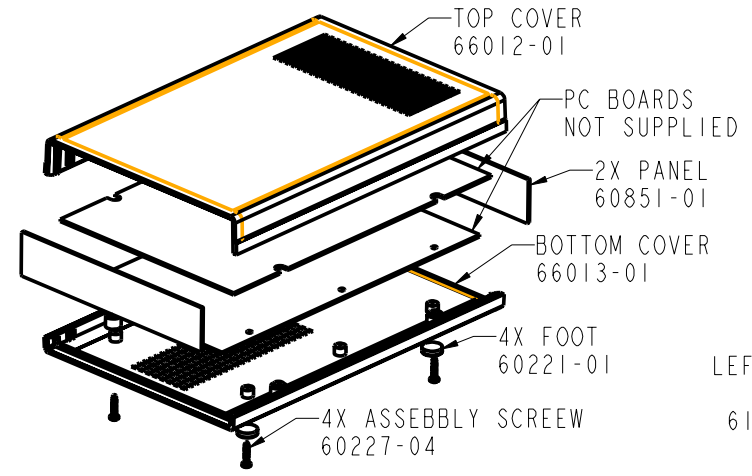


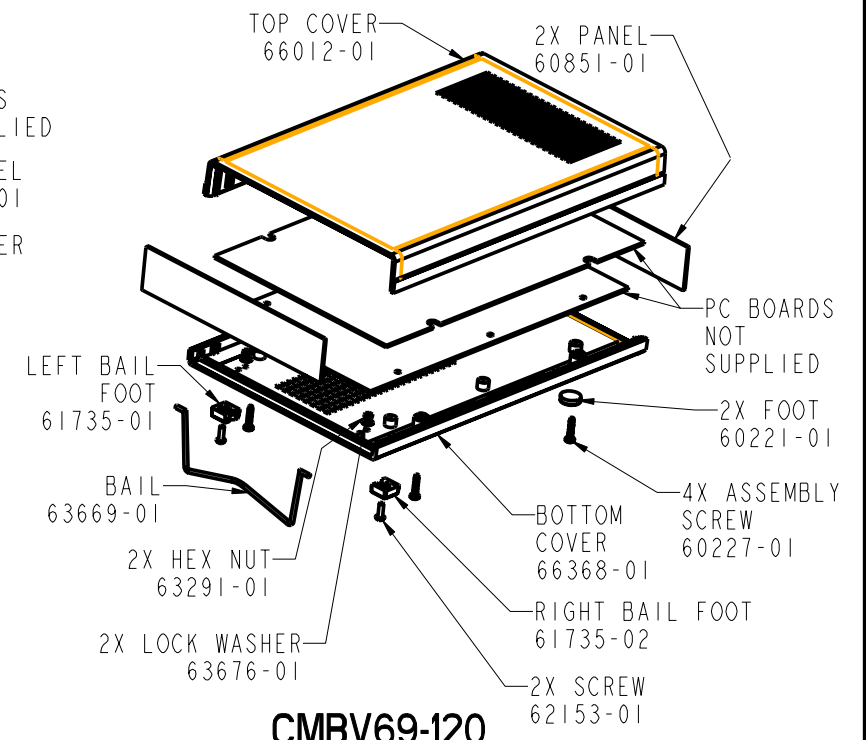
CM69-120



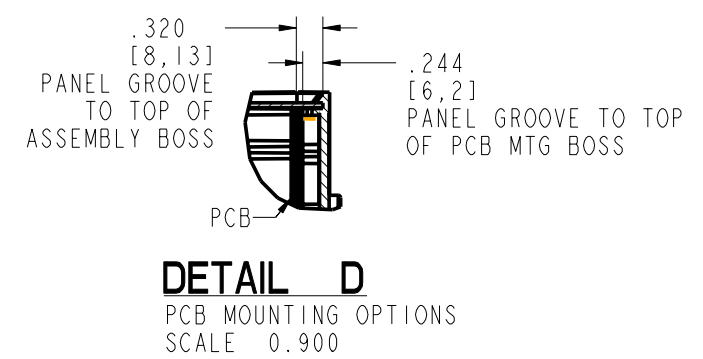
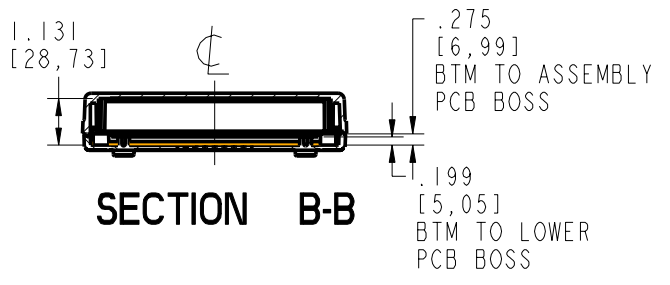
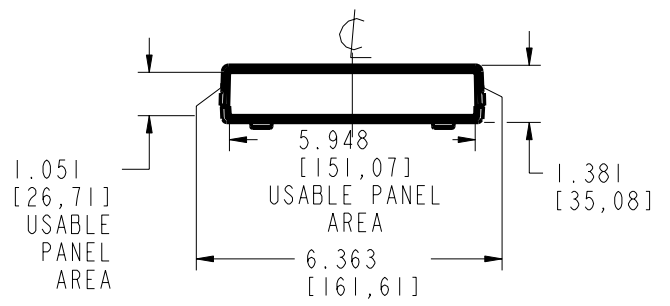
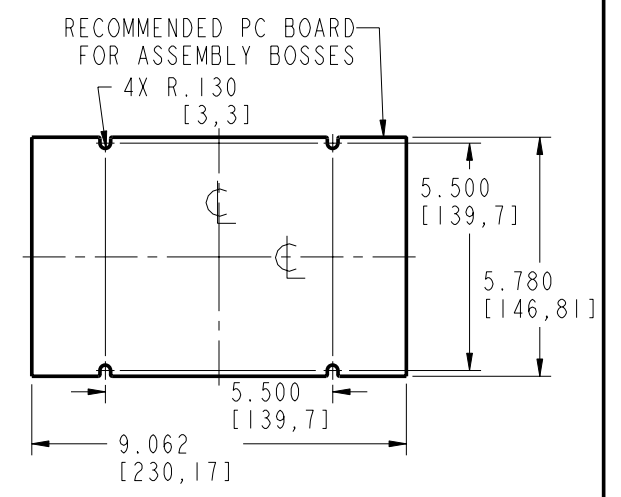
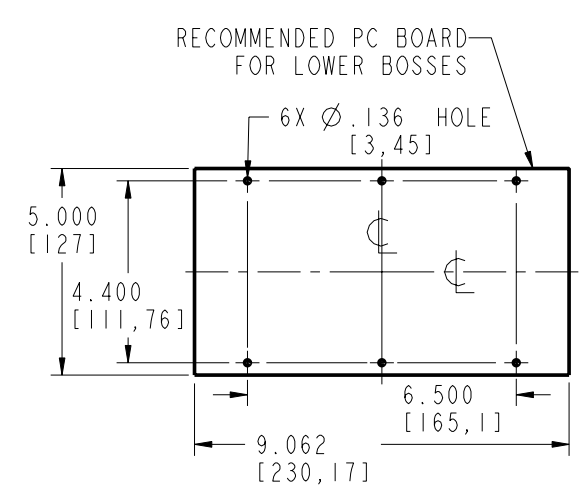
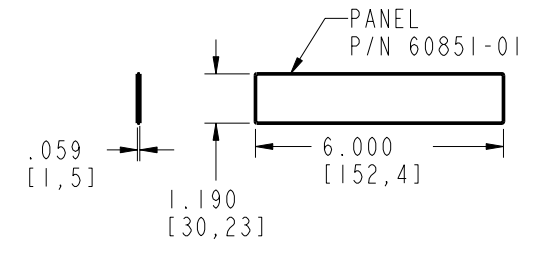
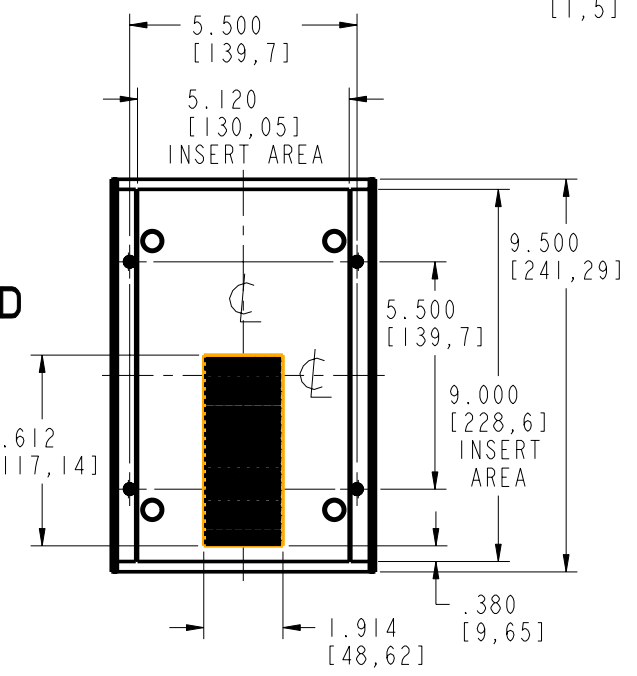
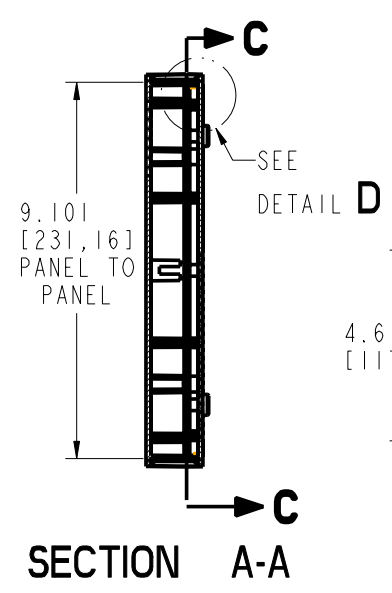
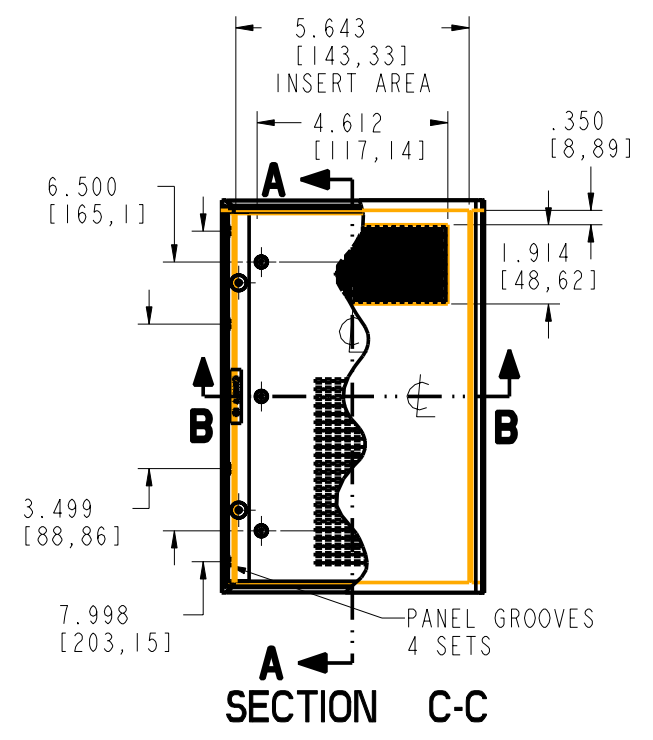
CMB69-120



CMV69-120



CMBV69-120



PACINTEC[®]
1-610-361-4200

**CM69-120, CMB69-120,
CMV69-120, CMBV69-120**

VISIT **PACINTEC**[®]
ON THE WORLD WIDE WEB
www.pactecenclosures.com

COLOR / MATERIAL CODE		
COLOR	94HB	94VO
BLACK	000	028
P.C.BONE	039	060

DRAWING NUMBER	REV
60905	F