

THIS DRAWING IS UNPUBLISHED. RELEASED FOR PUBLICATION 20
 © COPYRIGHT 20 BY - ALL RIGHTS RESERVED.

REVISIONS				
P	LTR	DESCRIPTION	DATE	APVD
B		ECR-16-010100 UPDATE NAME	14JUL2016	L.Z X.X
B1		ECR-18-008476, ADD PCB LAYOUT	08JUN2018	G.W C.W

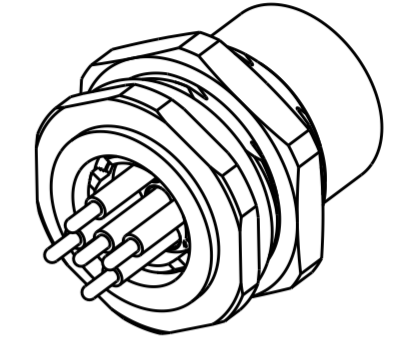
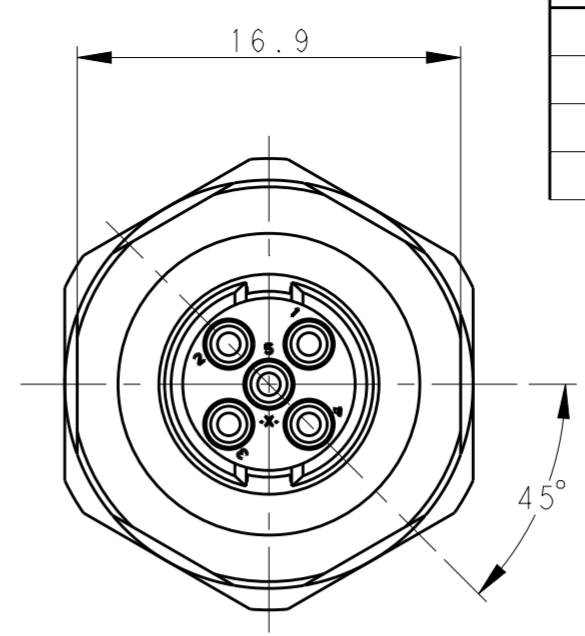
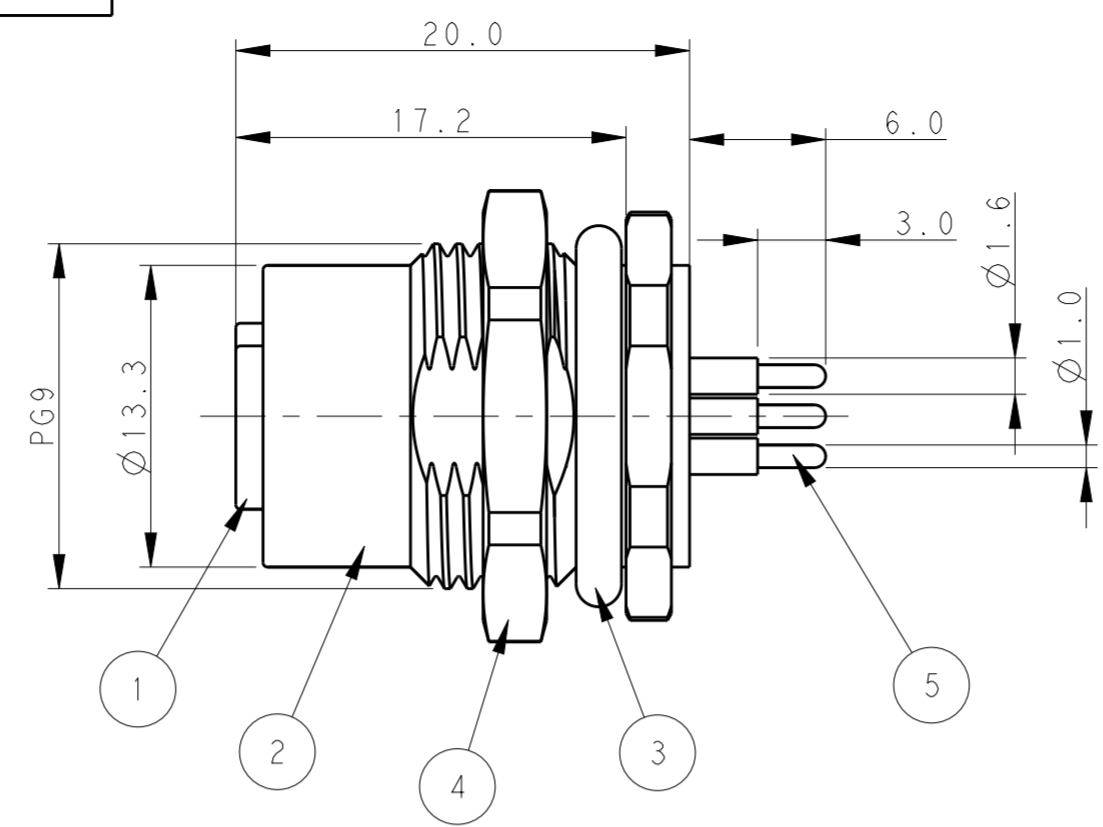
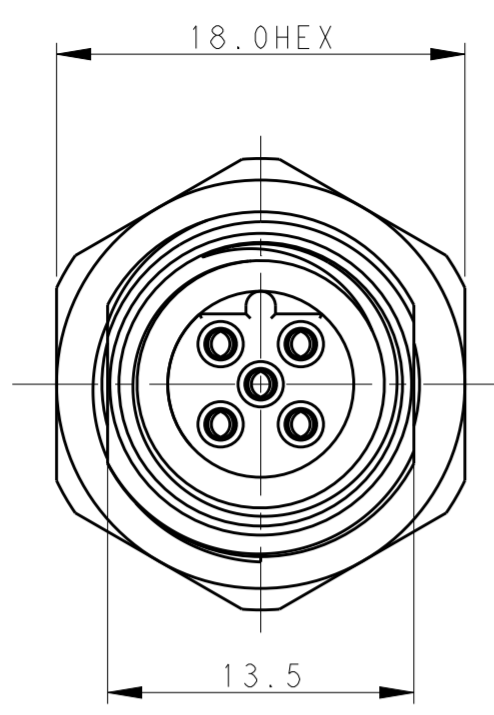
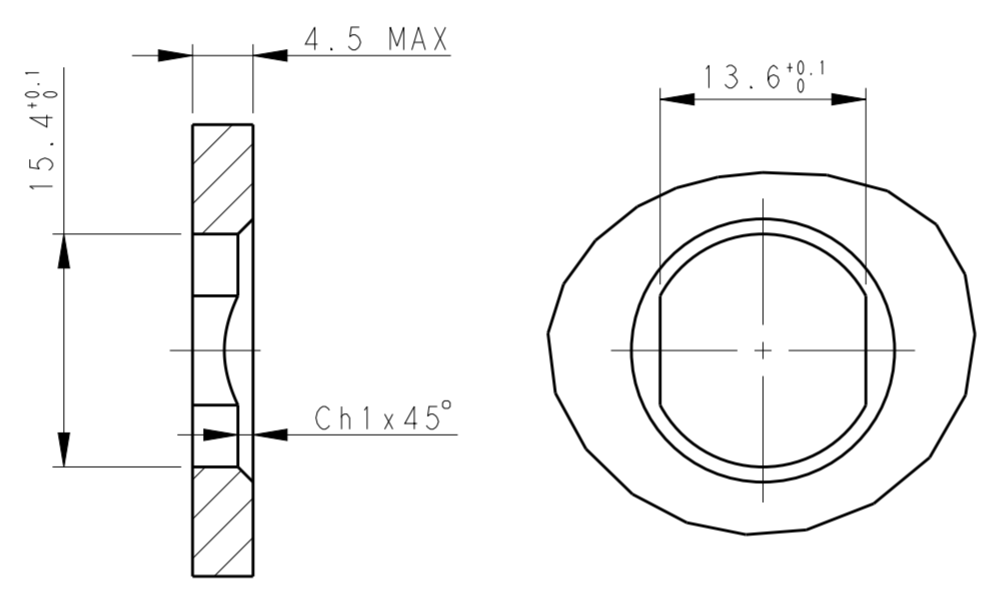


TABLE 1

TECHNICAL DATA	T4141412021-000	T4141412031-000	T4141412041-000	T4141412051-000
RATED VOLTAGE	250V	250V	250V	60V
RATED CURRENT	4A	4A	4A	4A
POLLUTION DEGREE	3	3	3	3
OVERVOLTAGE CATEGORY	II	II	II	II
MATERIAL GROUP	II	II	II	II
CONTACT RESISTANCE	<=10mΩ	<=10mΩ	<=10mΩ	<=10mΩ
INSULATION RESISTANCE	>100MΩ	>100MΩ	>100MΩ	>100MΩ
DEGREE OF PROTECTION	IP67	IP67	IP67	IP67
OPERATION TEMPERATURE	-40~85°C	-40~85°C	-40~85°C	-40~85°C



RECOMMENDED PANEL CUTOUT

NOTE:

1. TECHNICAL DATA: SEE TABLE 1
2. RECOMMENDED MOUNT PANEL SEE DETAIL
3. PRODUCT COMPLIES WITH IEC61076-2-101
4. PLASTIC INERT MATERIAL: UL LISTED WITH UL94V0 FLAME RATING
5. ALL MATERIALS TO BE ROHS COMPLIANT
6. ALL MATERIALS TO BE REACH COMPLIANT
7. PN INFORMATION FOR ASSEMBLY PARTS

注释:

- 1: 技术参数, 见表1
- 2: 推荐开孔尺寸详见如图所示
- 3: 产品符合标准 IEC61076-2-101
- 4: 塑胶材料符合UL标准, UL-94V0阻燃等级
- 5: 所有材料符合ROHS参照标准TEC-138-705
- 6: 所有材料符合REACH参照标准TEC-138-705
- 7: 成品料号信息如下:

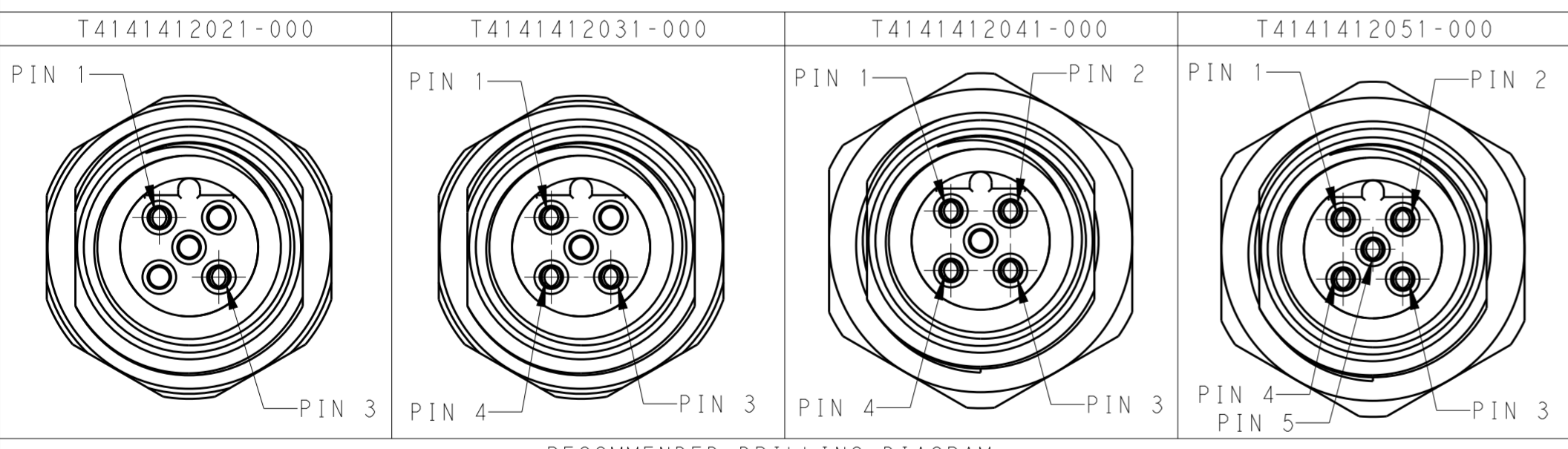
T41414120X1-000

- CONTACT FINISH: 1: GOLD 3u''
- NUMBER OF PINS: 02: 2 PINS, 03: 3 PINS, 04: 4 PINS, 05: 5 PINS

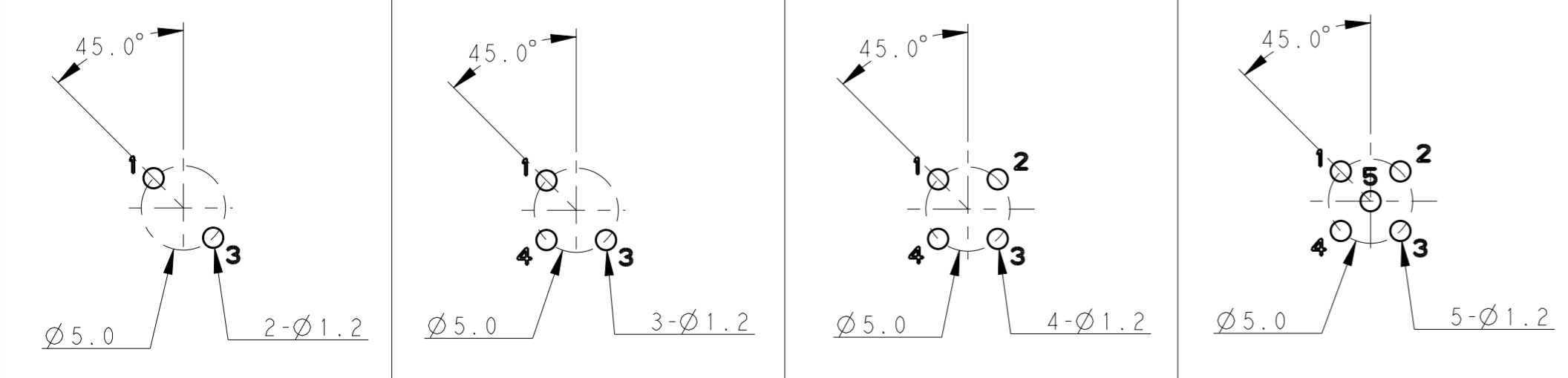
T41414120X1-000

- 端子电镀: 1: 3u''金
- 针数: 02: 2 针, 03: 3 针, 04: 4 针, 05: 5 针

PIN ARRANGEMENT B-CODE



RECOMMENDED DRILLING DIAGRAM



T4141412021-000	RPC-M12B-FF-2CON-PG9-LBU
T4141412031-000	RPC-M12B-FF-3CON-PG9-LBU
T4141412041-000	RPC-M12B-FF-4CON-PG9-LBU
T4141412051-000	RPC-M12B-FF-5CON-PG9-LBU

PLATING	MATERIAL	DESCRIPTION	ITEM	TYPE				
				5	2	3	4	5
3u'' GOLD MIN.	COPPER ALLOY	CONTACT		5	2	3	4	5
200u'' NICKEL MIN.	COPPER ALLOY	METAL NUT		4	1	1	1	1
-	-	O-RING		3	1	1	1	1
200u'' NICKEL MIN.	COPPER ALLOY	M12, MALE, METAL BODY		2	1	1	1	1
-	PA66	M12, MALE HSG		1	1	1	1	1

THIS DRAWING IS A CONTROLLED DOCUMENT.

DWN BO GAO 16FEB2016
 CHK KOBBY ZHAO 16FEB2016
 APVD XIANG XU 16FEB2016

TE Connectivity

NAME M12 PANEL MOUNT CONNECTOR B CODE, FEMALE, REAR MOUNTING PCB SOLDERING

SIZE A2 CAGE CODE - DRAWING NO. G-T41414120X1000 RESTRICTED TO -

MATERIAL - DIMENSIONS: mm TOLERANCES UNLESS OTHERWISE SPECIFIED: 0 PLC ±, 1 PLC ±0.2, 2 PLC ±0.2, 3 PLC ±0.2, 4 PLC ±, 5 PLC ±, ANGLES FINISH -

PRODUCT SPEC 108-106140 APPLICATION SPEC 114-137144 WEIGHT -

CUSTOMER DRAWING SCALE 3:1 SHEET 1 OF 1 REV B1