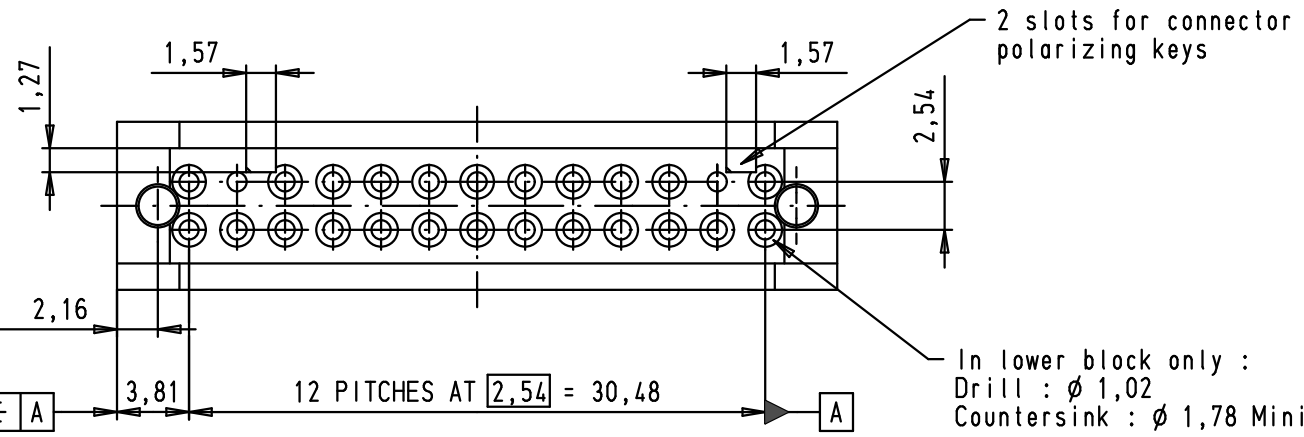
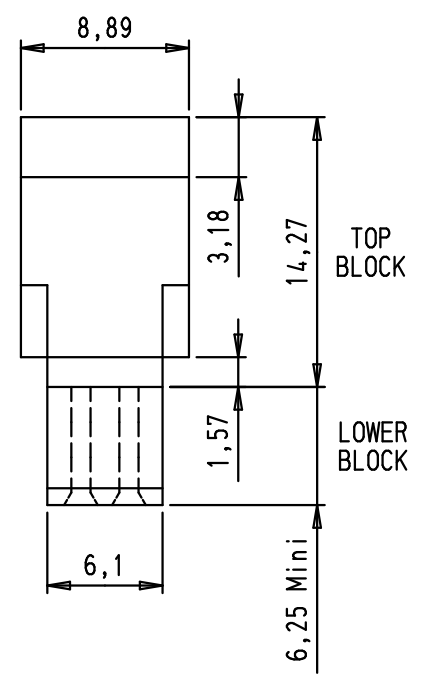
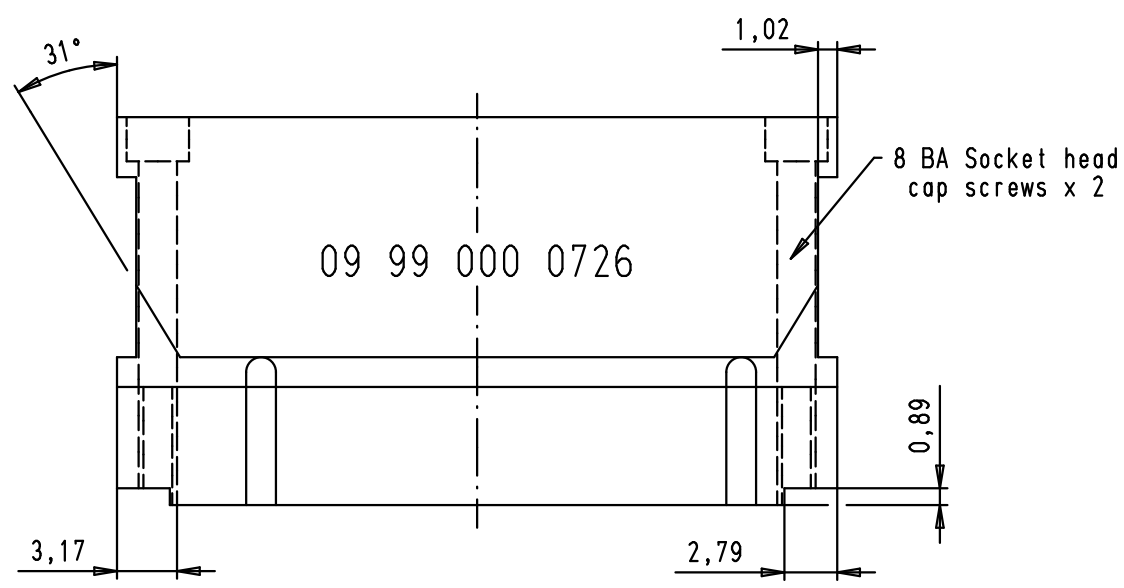
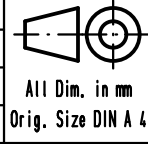



5 4 3 2 1



Material: hardened tool steel
BA = British Association Standard Thread

D
C
B
A

			Det.	Name	 <p>All Dim. in mm Orig. Size DIN A 4</p>	26 poles press-in top tool insert for SEK male header standard press-in connector	Maßstab/ Scale
		Detail.	24/10/06	PK			2,5:1
		Insp.					
		Stand.					
33805	24/10/06	PK	HARTING EURL F-95972 Paris			TB 09 99 000 0726	Blatt/ Page
Mod.	Det.	Name				Sub.	1 / 1