

Tous droits strictement réservés. Reproduction ou communication a des tiers interdite sous quelque forme que ce soit sans autorisation écrite du propriétaire. Propriete de c FCI. Droits de reproduction FCI.



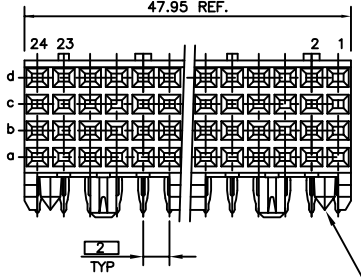
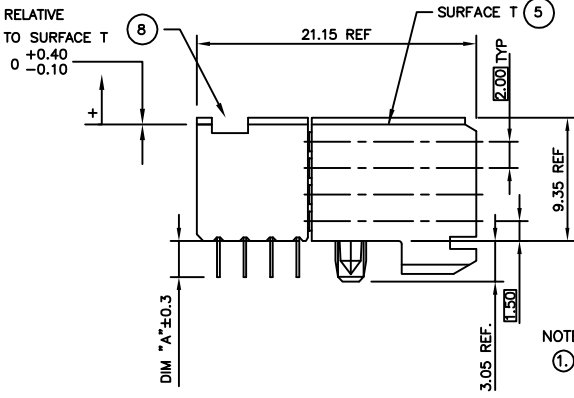
All rights strictly reserved. Reproduction or issue to third parties in any form whatever is not permitted without written authority from the proprietor. Property of FCI. Copyright FCI.

PART NUMBER	CONFIGURATION																								
	ROW	24	23	22	21	20	19	18	17	16	15	14	13	12	11	10	9	8	7	6	5	4	3	2	1
88947-XY3LF SEE NOTE 11 OPTION	d	-	X	-	X	-	-	X	-	X	-	X	-	X	-	X	X	-	X	-	X	-	X	-	X
	c	-	X	-	X	-	-	X	-	X	-	X	-	X	-	X	X	-	X	-	X	-	X	-	X
	b	-	X	-	X	-	-	X	-	X	-	X	-	X	-	X	X	-	X	-	X	-	X	-	X
	a	-	X	-	X	-	-	X	-	X	-	X	-	X	-	X	X	-	X	-	X	-	X	-	X

PLATING CONTACT AREA:	
DASH NR:	PERFORMANCE LEVEL
-1YY/1YYLF	TELCORDIA CO
-2YY/2YYLF	CUSTOMER SPECIAL
-3YY/3YYLF	CUSTOMER SPECIAL

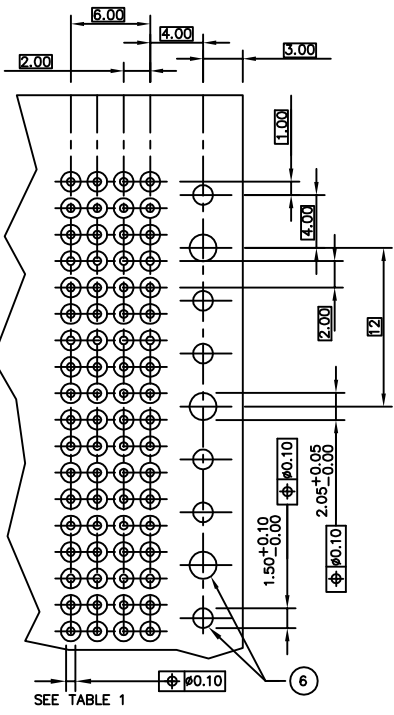
"X" = LOADED POSITION
 "-" = EMPTY POSITION

PRODUCT NUMBER	PCB THICKNESS	DIM "A"
88947-X02	1.6	2.90
88947-X12	2.4	3.53
88947-X02LF	1.6	2.90
88947-X12LF	2.4	3.53
88947-X03LF	1.6	2.90
88947-X13LF	2.4	3.53

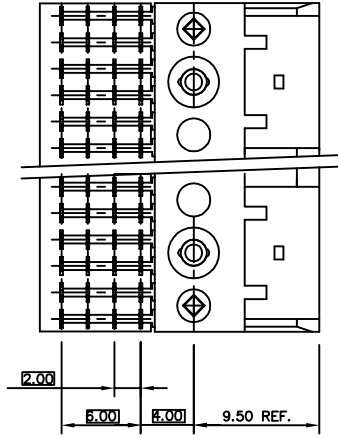


- NOTES:
- CONNECTOR MATERIALS:
HOUSING: LCP, 30% GLASS FILLED, UL 94-V0 COMPLIANT
TERMINAL: PHOSPHOR BRONZE ALLOY
 - PRESS-FIT TAIL PLATING: 0.5-1.5 μm TIN LEAD
 - PRODUCT SPECIFICATION: GS-12-002
 - APPLICATION SPECIFICATIONS:
BUS-20-061
GS-20-001
TA-941
 - PRODUCT MARKING: (PART NUMBER & LOT CODE).
 - INDICATED HOLES ARE UNPLATED.
 - DIAMOND LOCATION PEG ARE ONLY EXISTED ON THE BOTH SIDES OF PRODUCT.
 - TOP SURFACE OF PRESS BLOCK MAY EXTEND UP TO 0.4MM HIGHER THAN HOUSING. THIS MAY AFFECT THE TAIL LENGTH BEFORE APPLICATION TO A BOARD.
 - THESE PRODUCTS WHERE THE PART NUMBER ENDS IN "LF" MEET THE EUROPEAN UNION DIRECTIVES AND OTHER COUNTRY REGULATIONS AS DESCRIBED IN GS-22-008.

ALL PRODUCTS WILL WITHSTAND EXPOSURE TO 240°C FOR 60 SECONDS IN A CONVECTION, INFAR-RED OR VAPOR PHASE REFLOW OVEN.
 - FOR LEAD FREE PART NUMBERS ADD "LF" SUFFIX. EXAMPLE: 88947-XYLF.
 - ONLY 88947-X03LF AND 88947-X13LF, OTHER P/N IS FULL LOADED



PROPERTY	REQUIREMENT
HOLE DIAMETER AFTER PLATING	0.65-0.80
DRILLED HOLE	0.81-0.86 (0.85 DRILL)
COPPER PLATING	0.025 - 0.05
SnPb PLATING	0.005-0.015



mat'l. code		tolerances unless otherwise specified		CUSTOMER COPY		FCI	
SEE NOTES						www.fciconnect.com	
ltr	ecn no	dr	date				
M	DG07-0170	Cenh	05/22/07	linear	.X ±.3	projection	title
N	DG08-0171	TER	8/15/08		.XX ±.10		B SERIES R/A SIGNAL RECEPT ASSY
P	DG09-0068	Cenh	06/06/09	angles	.XXX ±.050		4 ROW, 4 MOD, PF
R	DG-010933	QinDF	03/08/12	dr	0° ±2'		product family METRAL (tm)
				enfr	STU STONER 10/29/92	MM	code
				chr	De-Feng Qin 03/08/12	1:1	213
				appd	Tian-Zhao Lin 03/08/12	scale	size
					Pei-Ming Zheng 03/08/12		dwg no
sheet index	revision sheet						88947
							1 of 1

cage code
22526