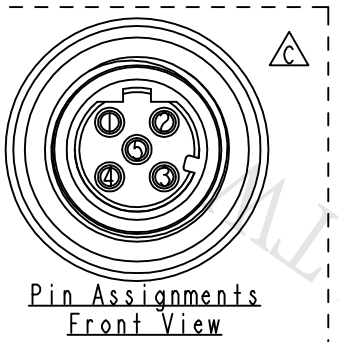
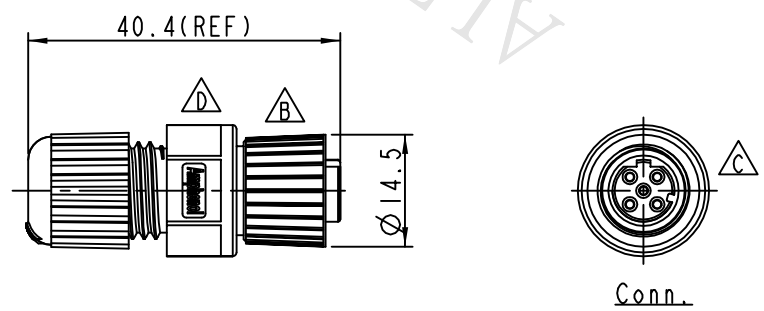
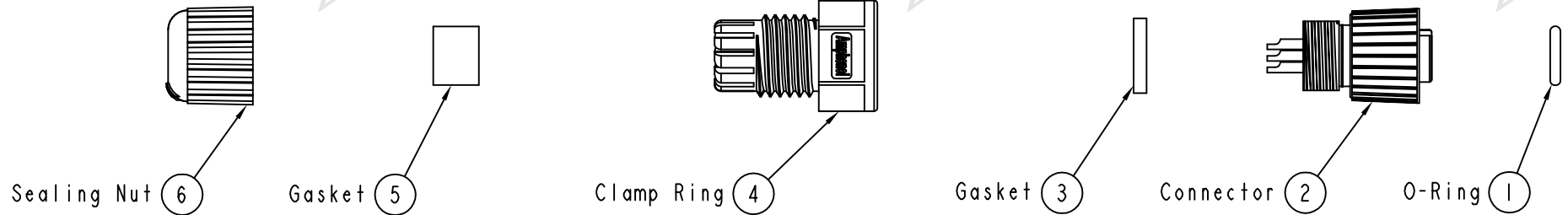


REV.	ECN NO.	DATE	SIGN	DESCRIPTION
B	LE3-6B0093	2006/11/09	Jerry	Remove the section & Change nut
C	LEN1340069	2013/04/18	Yulong	Update The Drawing
D	LEN1480602	2014/08/12	Rita	Update Logo



- Note:
- \* Waterproof Rate: IP68
  - \* Housing: Black, Nylon+GF
  - \* Pin: Copper Alloy, Gold Plated
  - \* Nut: Zinc Alloy, Nickel Plated
  - \* Ring: Green, Viton
  - \* Gasket: Black, EPDM
  - \* Clamp Ring: Black, Nylon
  - \* Sealing Nut: Black, Nylon
  - \* Seals: Black, EPDM
  - \* Seal For Cable OD:  $\phi 4.5\text{mm} - \phi 6.5\text{mm}$

UNIT: mm		TITLE M12 D Code Assy Screw 5Pin F Conn F Pin			<b>Amphenol LTW</b> 安費諾亮泰企業股份有限公司	ITEM NO 12D-05BFFA-SL8001	DRAWN BY Rita	DATE 2014-08-12
		SCALE 1:1	SIZE A4	SHEET 1 OF 1		DWG NO 12D-05BFFA-SL8001	CHECKED BY Kris	DATE 2014-08-12
TOLERANCE .X ±0.25 .XX ±0.1 .XXX ±0.05 ANGLES ±1°		REV. D	WC-REV. A.5	☉: Inspection item	CUSTOMER ALTW	APPROVED BY Wenmao	DATE 2014-08-12	

THIS DOCUMENT IS SUBJECT TO CHANGE WITHOUT NOTICE. IT IS CONFIDENTIAL AND A PROPERTY OF Amphenol LTW. DISCLOSURE TO THIRD PARTY HAS TO BE AUTHORIZED BY Amphenol LTW.